



Hydrasearch

RECREATIONAL

Marine Hardware



Table of Contents

History 2 - 3

Education 4 - 7

Hydrasearch Capabilities 4-5

Legal Policy Information 6-7



Deck Hardware 8 - 17

Mooring bitts, cleats, hatch lifts, brackets, hinges, latches, step covers, ladder and rail fittings, hawse and deck plates



Drivetrain 18 - 39

Struts, bearings, shaft logs, packing boxes and accessories, fins



Exhaust Fittings 40 - 41

T and Y type, with flapper, 90° elbows



Hose and Clamps 42 - 45

Packing box, worm gear, T-bolt, single and double



Plumbing Fittings 46 - 61

Adapters, inserts, nipples, elbows, couplings, reducers, hex bushings, plugs, menders, vented loops, Tuff-lite™ fittings



Shafting and Accessories 62 - 73

Propeller shaft kits and accessories, shaft keystone, prop knockers, shaft collars, transmission couplers and guides



Steering Hardware 74 - 89

Rudders, collars, bearing flanges, port mounts, tiller arms, clevises, swivel sockets, threaded balls, tie bars



Strainers 90 - 99

Basket, intake water, rectangular scoop, surface mount, round, navy pump, inlet scoop



Thru Hulls 100 - 107

Standard, hose end, flush type, water outlet, drip lip, high speed pick-ups, drain plugs, step wrenches, fresh water washdown, gas tank vents



Valves 108 - 111

Ball, ball type seacocks, gate, mini, swing, 316 stainless steel



Miscellaneous 112 - 115

Oar locks, oar lock brackets, backing plates, dart and shank sets, tape, de-icers

References 116 - 121

Strut Reference Diagram 116-118

Rudder Reference Diagram 119

Coupler Reference Diagram 120

Fittings Size Chart 120

Fraction to Decimal Conversion Chart..121

Product Index 122 - 123

Hydrasearch In The Making

Hydrasearch began in the early 1960s from a growing demand for more “think tank” factories near Washington, D.C. to support our national defense. From hydraulic research and design, to our most recent acquisition of venting solutions, our product offering has been an expanding effort to fulfill the needs of our customers. We are proud to manufacture a trusted product line for almost 60 years.



1962

Hydrasearch founded by Willard G. Triest in Annapolis, MD, specializing in the research and manufacturing of hydraulic valves and component devices.

1970s

Hydrasearch’s primary focus during the 70s was designing hydraulic control systems for the government and fueling at sea equipment for the US Navy.

1994

Hydrasearch relocated to Stevensville, Maryland. The new 30,000 square foot facility allowed Hydrasearch to merge its inventory, machining, testing and offices under one roof.

1960s

Hydrasearch is acquired by Dixon Valve & Coupling Company, a leading innovator in the hose coupling industry for over 100 years.



1980s

Hydrasearch developed and tested a new line of hose and fittings that solved many ongoing leakage problems. This led to Hydrasearch becoming a Qualified Product Listing (QPL) vendor in 1989 by Naval Sea Systems Command.



1995

Hydrasearch purchased Technical Products. This acquisition established Hydrasearch as an even larger supplier to the military market.



Hydrasearch In The Making



1998

Hydrasearch acquired the field attachable hose and fitting product line from Deutsch Metal Components of Gardena, CA. The product line consists of hose assemblies and components.



2010

Hydrasearch merged with its sister company Buck Algonquin, under the name Hydrasearch Company, Inc. This merger brought an expansion into the maritime market.



2016

Hydrasearch acquired Arctic Steel and Pro-Mar Maritime Venting Solutions. These acquisitions expanded our product offering into the workboat industry.

2000

Hydrasearch received its first ISO 9001 certification. The registration is recognized as a measure of a supplier's quality assurance process.

ISO 9001:2000



2016

Hydrasearch relocated to its current facility within the same business park in Stevensville, MD. The facility is 65,000 square feet allowing for increased efficiency and production.



Hydrasearch Capabilities



Hydrasearch Company, LLC (Stevensville, MD) has been an established leader in manufacturing for the maritime market since 1962. We have been supplying underwater hardware and marine components to the recreational boating industry for over 65 years as Buck Algonquin, whose product line Hydrasearch now manufactures. Our mission is to provide quality products and excellent customer service.

Advantages of buying Hydrasearch

Quality Assurance

Hydrasearch maintains a mature quality control process that puts us ahead of the competition in the marine hardware industry. In addition, we are a certified International Organization for Standardization (ISO 9001: 2015) company. To ensure our quality we are continuously improving our equipment, processes and training.

Engineering Support

Hydrasearch has an extensive support system that includes the following programs:

- 3D printing and 3D scanning
- Articulating borescope
- CAD software support
- Coordinate Measuring Machines (CMM)
- Finite element analysis
- Flow simulation
- Comprehensive quality department
- Niton x-ray fluorescence analyzer
- Modern machine shop
- Rapid prototyping
- Solidworks capabilities

Hydrasearch Capabilities

Industries We Serve:


- Wake Boats
- Cruisers
- Sailboats
- Sport Fishing
- Workboats



Legal Policy Information

Limited Warranty Policy

Right to warn

 In order to ensure proper function of products, it is strongly recommended that each part is inspected and serviced monthly. Inspection should include, but is not limited to, visible damage, excessive wear and proper bonding. Failure to properly maintain your product may result in catastrophic failure and/or loss of life.

Limited Warranty

Hydrasearch Company, LLC (herein called "Hydrasearch") warrants the products described herein, and manufactured by Hydrasearch to be free from defects in material and workmanship for a period of one (1) year from the date of invoice by Hydrasearch under normal use and service. Hydrasearch's sole obligation under this warranty is limited to either repairing or replacing, as hereinafter provided, at its option, any product found to Hydrasearch's satisfaction to be defective upon examination by it, provided that such product shall be returned for inspection to Hydrasearch's factory within thirty (30) days after receipt.

The repair or replacement of defective products will be made without charge for parts or labor. This warranty shall not apply to parts or products not manufactured by Hydrasearch, the warranty of such items being limited to the actual warranty extended to Hydrasearch by its supplier.

This warranty shall not apply to any product which has been subject to abuse, negligence, accident or misapplication or to any product which has been altered or repaired by anyone other than Hydrasearch nor to normal maintenance services and the replacement of service items (such as washers, gaskets and lubricants) made in connection with such services.

To the extent permitted by law, this limited warranty shall extend only to the buyer and any other person reasonably expected to use or consume the goods who is injured in person by any breach of warranty. No action may be brought against Hydrasearch for an alleged breach of warranty unless such action is instituted within one (1) year from the date the cause of action accrues. This limited warranty shall be construed and enforced to the fullest extent allowable by applicable law.

Other than the obligation of Hydrasearch expressly set forth herein, Hydrasearch disclaims all warranties, expressed or implied, including but not limited to any implied warranties of merchantability or fitness for a particular purpose, and any other obligation or liability. The foregoing constitutes Hydrasearch's sole obligation with respect to damages, whether direct, incidental or consequential, resulting from their use or performance of the product.

Proposition 65 Warning

As a company that may sell or distribute Hydrasearch Company, LLC ("Hydrasearch") products to California consumers or to other persons or entities that may sell such items to California consumers, Hydrasearch is obligated to notify you of the following:

Hydrasearch is in compliance with the California Safe Drinking Water and Toxic Enforcement Act of 1986 and its supporting regulations ("Proposition 65"), as it provides warnings that comply with a 2015 court-approved settlement. All Hydrasearch products are shipped in cartons with the following warning:

"WARNING: This product contains lead, a chemical known to the State of California to cause cancer and birth defects or other reproductive harm."

If you sell or distribute Hydrasearch products to California consumers, or to other persons or entities that may sell such items to California consumers, in quantities fewer than a full carton, you must provide this warning to each customer, either by labeling each unit with the above warning, by posting a sign at the point of sale, or by another method.

If you sell Hydrasearch products online to California consumers, you should display this warning message on the product display page, by a clearly marked hyperlink on the product display page, or otherwise prominently displayed to the purchaser before the purchaser completes the purchase of the product.

Hydrasearch will defend and indemnify you if there is a claim made under Proposition 65 for listed chemicals being contained in its products, so long as you have provided the warning per the instructions above. If you sell Hydrasearch products without the warnings we have provided, you are at risk of enforcement and significant penalties.

If you would like more information about the chemicals contained in Hydrasearch products, please visit our website at www.hydrasearch.com. Many product display pages contain information about the chemicals contained in our products.

Hydrasearch products made of brass may not be sold to California consumers unless such fittings either contain less than 300 ppm of lead when analyzed pursuant to the EPA test method 3050B or equivalent or they are sold or distributed with a clear, reasonable and conspicuous warning. So long as it is prominently displayed on the product or the packaging of the product, the above warning complies.

Should you need further explanation or assistance in complying with this notice, please do not hesitate to contact us at compliance@hydrasearch.com.

Legal Policy Information

Return Policy

Contact your Hydrasearch Company, LLC customer service representative (information below) to obtain a Return Material Authorization (RMA) form. Original invoice number, purchase order number and date must be provided. Product returned without an RMA number may be refused or returned at the customer's expense. Hydrasearch is not liable for unauthorized returns.

Return Material Authorization (RMA)

- Authorization must be obtained prior to return
- RMA expires thirty (30) days from date issued
- One carton must include a copy of the RMA form to ensure prompt evaluation and possible credit on return
- If credit is applicable, credit may take up to thirty (30) days from receipt of the returned product(s)
- Returned merchandise transportation must be prepaid
- Merchandise must be securely packaged to avoid damage during transit
- All cartons must be marked with authorized RMA number (unmarked shipments will be refused by our receiving department)
- Returned goods should be shipped to the following address:

Hydrasearch Company, LLC
Returns Dept. RMA # _____
203A Log Canoe Circle
Stevensville, MD 21666

Nonconforming Products

- All product will be inspected and processed by our quality department for disposition
- Product(s) shipped in error and/or product(s) deemed nonconforming will be credited at the invoice price paid including freight charges for these items

Restocking/Unwanted Products

- All product will be inspected and processed by our quality department for disposition
- Restocking charge will apply at a minimum of 25% for all product returned for any other reason than Hydrasearch shipping and/or nonconforming errors
- Product(s) may not be returned unless they are in marketable condition. Any cost incurred to put product(s) in marketable condition will be charged to the customer.
- Product returned damaged/broken will be credited at a scrap value only
- Product returned to Hydrasearch must be prepaid freight at the responsibility of the customer
- Non-inventory product may or may not be authorized for return, based solely on the inventory requirements of Hydrasearch
- Special order product(s) or product that do not have standard requirements, are not eligible for return (*unless product is found to be nonconforming by our quality department*)
- Shaft Couplings must be in original, sealed cartons and in salable condition

Claims

- Claims for damage or loss in transit must be made by customer directly against the carrier. Hydrasearch is not responsible for freight damage
- Photographic evidence is required for all claims
- All claims for defective product or deficient orders must be made in writing by customer within thirty (30) days of receipt

Hydrasearch Sales Representatives

Recreational
Phone: 410.643.7145
Email: recreational@hydrasearch.com

Limits of Liability and Copyright

This catalog is intended as a product offering. It is not intended to be a user or technical manual. Information in this catalog is subject to change without notice. All users and distributors of products sold through this catalog should contact Hydrasearch with questions of use, compatibilities, coupling procedures and life of product. Our full time engineering and test staff is always available to recommend uses and to assist distributors and users with any questions.

Copyright © 2021 by Hydrasearch Company LLC.

All rights reserved. This catalog is copyrighted material. Use, reproduction or copying of it by anyone other than Hydrasearch is strictly prohibited without express written consent.

Mooring Bitts

Polished finish

A



Part No.	Material	Base size	Overall height	Basehole C to C	Pin length	Screw size	Weight (pounds)	Replacement Pin Part No.
7ØMB4x4	stainless steel 316	4 1/2 × 4 1/2	3 1/2	3 1/2 × 3 1/2	4 5/8	3/8	2.05	7ØMBP4x4
7ØMB5x5	stainless steel 316	5 × 5	4 5/8	3 3/4 × 3 3/4	7	3/8	3.85	7ØMBP5x5
7ØMB6x6	stainless steel 316	6 × 6	6	4 3/4 × 4 3/4	8	3/8	4.45	7ØMBP6x6
7ØMB7x7	stainless steel 316	7 × 7	6 1/2	5 3/8 × 5 3/8	9	1/2	8.70	7ØMBP7x7

Note: All dimensions are in inches and are reference only

Skene Chocks

Bronze is cast finish and stainless steel is polished finish

bronze



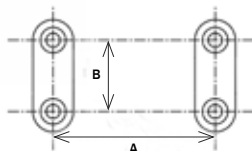
stainless steel

Part No.	Material	Overall length	Overall height	Base width	Max rope size	Screw C to C	Screw size	Weight (pounds)
ØØBC6ØØS	bronze	6	1 7/8	1 1/16	1	4 5/8	1/4	2.20
7ØBCS4ØØS	stainless steel 316	4 1/2	1 1/16	3/4	3/4	3 3/4	No. 8	0.70
7ØBCS6ØØS	stainless steel 316	6	1 7/8	3/4	3/4	4 3/4	1/4	1.50
7ØBCS8ØØS	stainless steel 316	8	1 7/8	1 1/8	1 1/4	6 9/16	1/4	2.50
7ØBCS9ØØS	stainless steel 316	9	2 1/4	1 3/4	1 1/2	7 1/2	3/8	5.75

Note: All dimensions are in inches and are reference only
Sold in pairs

Stern Lifting Handles

Polished finish



Part No.	Material	Overall length	Overall height	Base size W x L	Dim. A	Dim. B	Screw size	Weight (pounds)
7ØSLH1	stainless steel 316	5 3/4	1 3/4	1 3/32 × 1 7/8	4 7/8	15/16	No. 10	0.50

Note: All dimensions are in inches and are reference only
To be installed with flat head or oval head screws

Weld-On Open Base Cleat

Polished finish



Part No.	Material	Overall length	Overall height	Base size W x L	Base C to C	Weight (pounds)
7ØCOBS15ØØMOD	stainless steel 316	15	3 7/8	1 3/8 × 4	5	7.00

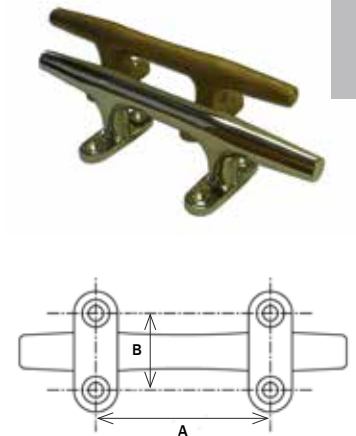
Note: All dimensions are in inches and are reference only

Open Base Cleats

Bronze is cast finish and stainless steel is polished finish

Part No.	Material	Type	Overall length	Overall height	Base size W x L	Dim. A	Dim. B	Screw size	Weight (pounds)
00COB450	bronze	-	4 1/2	1 3/8	1/2 x 1 1/2	1 3/4	1 1/16	No. 6	0.35
70COBS600L	stainless steel 316	light	6	1 1/4	11/16 x 1 13/16	2 3/8	1	1/4	0.50
00COB675	bronze	-	6 9/16	1 3/8	5/8 x 1 5/8	2 11/16	1 1/16	No. 10	0.55
70COBS800L	stainless steel 316	light	8	1 9/16	13/16 x 2 1/4	3	1 1/2	1/4	0.85
70COBS80XL	stainless steel 316	extra light	8	1 9/16	3/4 x 2	2 7/8	1 3/8	1/4	0.70
00COB1000	bronze	-	10	2 1/4	1 x 3	3 5/16	2 1/16	1/4	2.75
70COBS1000	stainless steel 316	-	10	2 7/16	1 x 2 7/8	3 3/4	1 7/8	5/16	2.00
70COBS100L	stainless steel 316	light	10	2 3/16	1 x 2 3/4	3 3/4	1 7/8	5/16	1.75
70COBS10XL	stainless steel 316	extra light	10	2	1 x 2 7/8	3 11/16	1 7/8	5/16	1.38
00COB1200	bronze	-	12	2 3/4	1 1/4 x 3 1/2	4 7/8	2 1/2	5/16	4.80
70COBS1200	stainless steel 316	-	12	2 7/8	1 1/4 x 3 1/2	4 7/8	2 7/16	3/8	4.00
70COBS120L	stainless steel 316	light	12	2 1/8	15/16 x 2 11/16	3 3/4	1 7/8	5/16	2.15
70COBS15LP	stainless steel 316	low profile	14 1/2	3	1 5/8 x 4 1/8	6 1/4	2 5/8	1/2	6.20
70COBS1500	stainless steel 316	-	15	3 7/8	1 3/8 x 4	5	2 5/8	1/2	7.00

Note: All dimensions are in inches and are reference only
To be installed with flat head or oval head screws



Stud Cleats

Polished finish

Part No.	Material	Type	Overall length	Overall height	Base size W x L	Stud size C to C	Stud size	Weight (pounds)
70SC400	stainless steel 316	-	4	1	5/8 x 1 1/16	2	1/4 x 1 1/2	0.25
70SC600	stainless steel 316	-	6	1 1/4	5/8 x 1 3/4	2 1/4	5/16 x 1 3/4	0.60
70ESC600	stainless steel 316	euro	6	1 1/8	-	2 1/4	1/2 x 1 1/2	0.60
70SC800	stainless steel 316	-	8	1 1/2	13/16 x 1 5/8	2 3/4	3/8 x 2	0.85
70ESC800	stainless steel 316	euro	8	1 3/8	-	2 7/8	1/2 x 2 1/4	1.30
70SC800HD	stainless steel 316	heavy duty	8	2	1 x 2 5/8	3 3/8	3/8 x 3	1.70
70ESC1000	stainless steel 316	euro	10	1 13/16	-	3 5/8	1/2 x 2 1/2	2.25
70SC1000HD	stainless steel 316	heavy duty	10	2 1/2	1 x 2 5/16	3 3/4	1/2 x 1 3/4	2.40
70ESC1200	stainless steel 316	euro	12	2 1/2	-	4 1/4	5/8 x 2 1/2	3.45

Note: All dimensions are in inches and are reference only
Complete with studs, nuts and washers



Standard & heavy duty



Euro

Tapped Cleats

Polished finish

A



round



oval

Part No.	Material	Base type	Overall length	Overall height	Max rope size	Base size W x L	Tapped C to C	Threaded	Weight (pounds)
70COBSSTUD100	stainless steel 316	round	10	2 ³ / ₈	³ / ₄	-	4	³ / ₈ - 16	1.80
70COBSSTUD120T	stainless steel 316	round	12	2 ¹⁵ / ₁₆	1	-	4	¹ / ₂ - 13	3.20
70COBSSTUD120FT	stainless steel 316	oval	12	2 ⁷ / ₈	-	¹³ / ₁₆ × 3 ¹ / ₂	4 ⁷ / ₈	¹ / ₂ - 13	3.65

Note: All dimensions are in inches and are reference only

Gray Iron Dock Cleats

Galvanized cast finish



Part No.	Overall length	Overall height	Base size W x L	Bolthole C to C	Bolt size	Weight (pounds)
53DC400	4	1 ¹ / ₈	¹³ / ₁₆ × 1 ¹³ / ₁₆	⁷ / ₈	¹ / ₄	0.20
53DC500	5	1 ⁵ / ₁₆	¹³ / ₁₆ × 2 ¹ / ₈	1 ¹ / ₁₆	¹ / ₄	0.30
53DC600	6	1 ¹ / ₂	¹³ / ₁₆ × 2 ⁵ / ₁₆	1 ¹ / ₄	¹ / ₄	0.45
53DC800	8	2 ¹ / ₈	1 ³ / ₁₆ × 2 ¹³ / ₁₆	1 ¹¹ / ₁₆	³ / ₈	1.05
53DC1000	10	2 ⁹ / ₁₆	1 ¹ / ₂ × 4 ¹ / ₈	2 ⁵ / ₁₆	³ / ₈	2.30
53DC1200	12	3 ¹ / ₈	1 ³ / ₄ × 5 ³ / ₈	3 ⁵ / ₁₆	³ / ₈	3.60
53DC1400	14	3 ⁵ / ₈	2 ³ / ₁₆ × 6 ³ / ₈	3 ¹ / ₂	³ / ₈	6.05

Note: All dimensions are in inches and are reference only

Hatch Lifts

Polished finish



70HLS1



70HLS2

Part No.	Material	Plate dimension	Screw size	Weight (pounds)
70HLS1	stainless steel 316	2 ¹ / ₄ × 3	No. 8	0.30
70HLS2	stainless steel 316	1 ¹ / ₂ × 1 ¹⁵ / ₁₆	No. 8	0.19

Note: All dimensions are in inches and are reference only
To be installed with flat head or oval head screws

Rail Fittings

Polished finish

Part No.	Material	Type	Overall length	Overall width	Overall height	Height to center	Tube size	Screw size	Weight (pounds)
7ØRLES1ØØX	stainless steel 316	end	2 ¾	15/16	2 ¾	1 ¾	1	No. 10	0.40
7ØRLCS1ØØX	stainless steel 316	center	2 ¾	15/16	2 ¾	1 ¾	1	No. 10	0.35



Center

End

A

Note: All dimensions are in inches and are reference only
To be installed with flat head or oval head screws

Wood Rail

Polished finish

Part No.	Material	Type	Inside dimension	Overall length	Screw size	Weight (pounds)
7ØWRLHS1	stainless steel 316	hinge	1 ¼ × 2 11/16	3 7/16	No. 10	1.50
7ØWRLLS1	stainless steel 316	lock	1 1/8 × 2 11/16	3 7/16	No. 10	1.50



Hinge

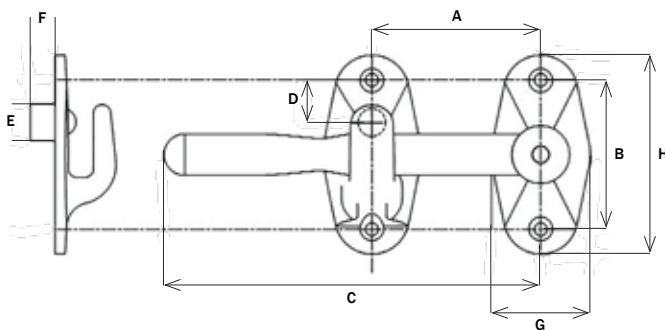


Lock

Note: All dimensions are in inches and are reference only
To be installed with flat head or oval head screws

Transom Door

Polished finish



Locking latch



Latch



Hinge

Part No.	Material	Type	Overall width	Overall length	Thickness	Screw size	Weight (pounds)
7ØSSH4X6	stainless steel 316	hinge	6	4	1/8	1/4	1.00
7ØSSH5X8	stainless steel 316	hinge	8	5	1/8	1/4	1.65

Note: All dimensions are in inches and are reference only
To be installed with flat head or oval head screws

Part No.	Material	Type	Dim. A	Dim. B	Dim. C	Dim. D	Dim. E	Dim. F	Dim. G	Dim. H	Screw size	Weight (pounds)
7ØTDLS625	stainless steel	latch	2 ½	2 ¼	6 ¼	-	-	-	1 ½	3	No. 10	0.75
7ØTDLS625SM	stainless steel	locking latch	2 ½	2 ¼	5 ¾	5/8	9/16	3/8	1 ½	3	No. 10	0.75
7ØTDLS625LG	stainless steel	locking latch	3	2 ¾	6 ¼	7/8	9/16	3/8	1 ½	3 1/8	No. 10	1.20

Note: All dimensions are in inches and are reference only
To be installed with flat head or oval head screws

Step Covers

Polished finish

A



Part No.	Material	Overall height	Base size W x L	Opening W x L	Screw size	Weight (pounds)
7ØGCSTEPSMALL	stainless steel 316	$\frac{3}{4}$	$3 \frac{5}{8} \times 8 \frac{3}{4}$	$2 \frac{1}{4} \times 7 \frac{7}{16}$	No. 8	0.75
7ØGCSTEPLARGE	stainless steel 316	$1 \frac{1}{16}$	$5 \frac{5}{8} \times 11 \frac{1}{2}$	$4 \frac{3}{8} \times 10 \frac{1}{4}$	No. 8	1.50
7ØCCBSTEP	stainless steel 316	$\frac{11}{16}$	$3 \frac{17}{32} \times 8 \frac{21}{32}$	$2 \frac{3}{16} \times 7 \frac{1}{8}$	No. 8	0.75

Note: All dimensions are in inches and are reference only
To be installed with flat head or oval head screws

Fly Bridge Ladder Steps

Anodized aluminum with satin finish



Part No.	Material	Base size W x L	Tube size	Tube angle degree	Screw size	Weight (pounds)
26ST17Ø1ØØ	aluminum	3 x 17	1	$11 \frac{1}{2}^\circ$	$\frac{1}{4}$	2.30

Note: All dimensions are in inches and are reference only

Boarding Steps

Bronze is cast finish and stainless steel is polished finish



ØØBS11ØØ and
7ØBS11ØØ

ØØBS6ØØ and
7ØBS6ØØ

Part No.	Material	Base size W x L	Mounting surface	Hand holes	Angle degree	Weight (pounds)
ØØBS6ØØ	bronze	$4 \frac{1}{4} \times 5 \frac{3}{4}$	$1 \frac{7}{8} \times 5 \frac{3}{4}$	1 x 4	90°	2.25
7ØBS6ØØ	stainless steel 316	$4 \frac{1}{4} \times 5 \frac{3}{4}$	$1 \frac{7}{8} \times 5 \frac{3}{4}$	1 x 4	90°	2.25
ØØBS11ØØ	bronze	$3 \frac{3}{4} \times 10 \frac{3}{4}$	$1 \frac{7}{8} \times 10 \frac{3}{4}$	1 x 4	90°	3.85
7ØBS11ØØ	stainless steel 316	$3 \frac{3}{4} \times 10 \frac{3}{4}$	$1 \frac{7}{8} \times 10 \frac{3}{4}$	1 x 4	90°	5.10

Note: All dimensions are in inches and are reference only

Bow Eyes

Bronze is cast finish and stainless steel is polished finish



stainless steel

cast bronze

Part No.	Material ¹	Shank length	Shank diameter	Eye diameter	Weight (pounds)
7ØBE3ØØ	stainless steel 316	3	$\frac{3}{8}$ - 16	1	0.25
ØØBE4ØØ	cast bronze	4	$\frac{3}{8}$ - 16	1	0.35
7ØBE4ØØ	stainless steel 316	4	$\frac{3}{8}$ - 16	1	0.35
ØØBE6ØØ	cast bronze	6	$\frac{3}{8}$ - 16	1	0.45
7ØBE6ØØ	stainless steel 316	6	$\frac{3}{8}$ - 16	1	0.45

Note: All dimensions are in inches and are reference only

¹ The bronze comes with a shouldered stem

Boarding Ladder Hardware Sets

Polished finish

Part No.	Material	Screw size	Weight (pounds)
Ø1BLH1	bronze	No. 10	3.30
7ØBLH1	stainless steel 316	No. 10	3.30

Note: Sold as complete set

To be installed with flat head or oval head screws

Replacement Parts

Part No.	Material	Type	Screw size	Weight (pounds)
Ø1BLB	bronze	bracket	No. 10	1.85
7ØBLB	stainless steel 316	bracket	No. 10	1.85
Ø1BLE	bronze	eye	No. 10	0.70
7ØBLE	stainless steel 316	eye	No. 10	0.70
Ø1BLH	bronze	hinge	No. 10	0.75
7ØBLH	stainless steel 316	hinge	No. 10	0.75

Note: Sold in pairs

To be installed with flat head or oval head screws



Ø1BLH1



7ØBLH
(hinge)



7ØBLE
(eye)



7ØBLB
(bracket)

Ladder Brackets

Polished finish

Part No.	Material	Screw size	Weight (pounds)
7ØLB	stainless steel 316	No. 10	3.30

Note: Sold in pairs, one (1) right and one (1) left hand bracket

To be installed with flat head or oval head screws



Cockpit Scuppers

Stainless steel with polished top and bronze cast body finish

Part No.	Type	Strainer OD	Overall height	Hose ID	NPT size	Screw size	Weight (pounds)
7ØCPS438	scupper with hose end	4 1/4	4 1/8	2 3/8	-	No. 8	2.00
ØØCPS325	scupper with hose end	3 1/4	2 3/16	1	-	No. 8	1.00
ØØCPS35Ø	scupper	3 1/2	1 1/16	-	2	No. 8	0.50

Note: All dimensions are in inches and are reference only

To be installed with flat head or oval head screws

Replacement Tops

Part No.	Material	Top OD	Weight (pounds)	Replacement for Part No.
7ØCPS325T	stainless steel 316	3 1/4	0.10	ØØCPS325
7ØLV35Ø	stainless steel 316	3 1/2	0.10	ØØCPS35Ø
7ØCPS438T	stainless steel 316	4 1/4	0.58	7ØCPS438

Note: All dimensions are in inches and are reference only



ØØCPS35Ø



ØØCPS325



7ØCPS438

Hawse Pipes

Bronze is cast finish and stainless steel is polished finish

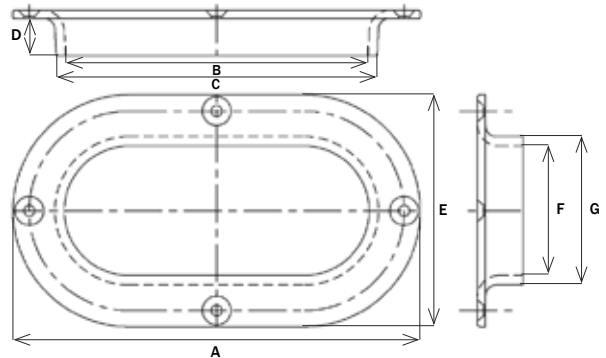
A



7ØHPS3WPIN

ØØHP2, ØØHP3,
7ØHPS2 and 7ØHPS3

ØØHP1 and 7ØHPS1



Part No.	Material	Dim. A	Dim. B	Dim. C	Dim. D	Dim. E	Dim. F	Dim. G	Screw size	Weight (pounds)
ØØHP1	bronze	6 1/4	3 7/8	4 1/4	13/16	3	1 7/8	2 1/4	No. 10	1.20
ØØHP2	bronze	7	4 1/2	5	1 7/8	4	1 1/2	2	1/4	2.90
ØØHP3	bronze	9 3/8	7 1/8	7 1/2	7/8	5 3/8	3	3 3/8	1/4	2.40
7ØHPS1	stainless steel 316	6 1/4	3 7/8	4 1/4	13/16	3	1 7/8	2 1/4	No. 10	1.20
7ØHPS2	stainless steel 316	6 15/16	4 1/2	4 7/8	1 7/8	3 15/16	1 1/2	1 7/8	1/4	1.20
7ØHPS3	stainless steel 316	9 3/8	6 15/16	7 7/16	7/8	5 3/8	2 7/8	3 3/8	1/4	2.40
7ØHPS3WPIN ¹	stainless steel 316	9 3/8	6 15/16	7 7/16	7/8	5 3/8	2 7/8	3 3/8	1/4	2.40

Note: All dimensions are in inches and are reference only
To be installed with flat head or oval head screws
1 Part number includes a pin

Mating Hawse Pipes

Polished finish

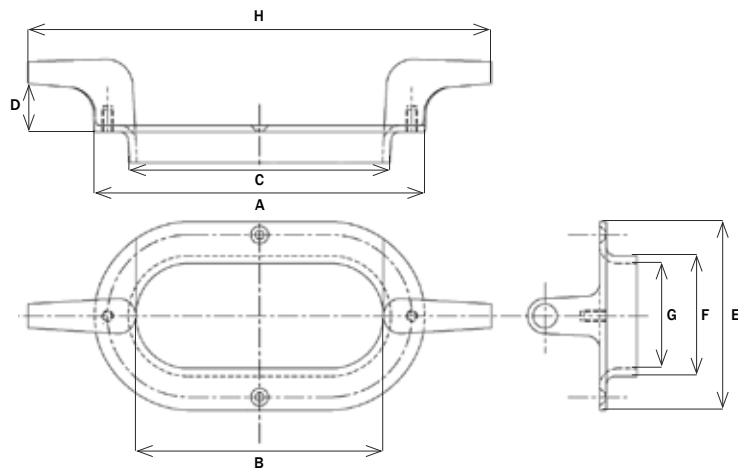


Part No.	Material	Outside flange W x L	Hawse opening W x L	Distance between flange min. to max.	Screw size	Weight (pounds)
7ØHPS6	stainless steel 316	4 x 7	1 9/16 x 4 9/16	1 3/8 x 2 1/4	No. 12	3.85
7ØHPS7	stainless steel 316	5 3/4 x 9 1/2	3 x 6 3/4	1 5/8 x 3	5/16	7.75
7ØHPS8	stainless steel 316	6 1/2 x 9 1/2	3 7/8 x 6 7/8	1 3/4 x 3	5/16	8.75

Note: All dimensions are in inches and are reference only
To be installed with flat head or oval head screws
Sold as a set

Cleat Hawse Pipes

Polished finish



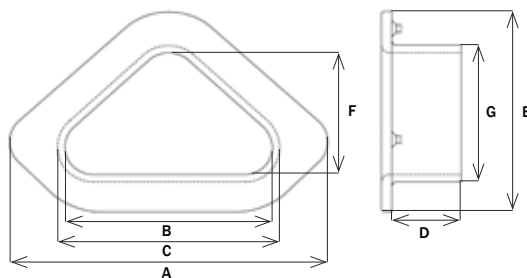
A

Part No.	Material	Dim. A	Dim. B	Dim. C	Dim. D	Dim. E	Dim. F	Dim. G	Dim. H	Screw size	Weight (pounds)
7ØHPCS3	stainless steel 316	9 ³ / ₈	7 ¹ / ₈	7 ¹ / ₂	⁷ / ₈	5 ³ / ₈	3 ³ / ₈	3	14	¹ / ₄	3.45

Note: All dimensions are in inches and are reference only
To be installed with flat head or oval head screws

Triangular Hawse Pipes

Polished finish



Part No.	Material	Dim. A	Dim. B	Dim. C	Dim. D	Dim. E	Dim. F	Dim. G	Screw size	Weight (pounds)
7ØHTØ4ØØ8	stainless steel 316	7 ⁷ / ₈	5 ¹ / ₄	5 ¹ / ₂	1 ³ / ₄	4 ¹⁵ / ₁₆	3 ¹ / ₁₆	3 ⁵ / ₁₆	¹ / ₄ - 20	2.20

Note: All dimensions are in inches and are reference only

Backing Plates

Polished finish

Part No.	Material	Outside flange W x L	Inside flange W x L	Screw size	Weight (pounds)
7ØHPBP3	stainless steel 316	9 ³ / ₈ × 5 ³ / ₈	7 ¹ / ₈ × 3	¹ / ₄	1.60

Note: All dimensions are in inches and are reference only
To be installed with flat head or oval head screws



Pipe Deck Plates, Caps, Keys and O-Rings

Bronze is a machine finish and stainless steel is polished finish



Part No.	Type	Material	Pipe size	Shank OD	Length under flange	Flange OD	Screw size	Cap Part No.	Key Part No.	O-Ring Part No.	Weight (pounds)
ØØPDP125F	fuel	bronze	1 1/4	1 3/4	1 5/16	3 1/8	No. 10	ØØPDPC125	ØØPDPK15Ø	ORING125	0.70
ØØPDP125G	gas	bronze	1 1/4	1 3/4	1 5/16	3 1/8	No. 10	ØØPDPC125	ØØPDPK15Ø	ORING125	0.70
ØØPDP125NM	no mark	bronze	1 1/4	1 3/4	1 5/16	3 1/8	No. 10	ØØPDPC125	ØØPDPK15Ø	ORING125	0.70
ØØPDP15ØD	diesel	bronze	1 1/2	2 1/8	1 5/16	3 3/4	No. 10	ØØPDPC15Ø	ØØPDPK15Ø	ORING15Ø	1.10
ØØPDP15ØF	fuel	bronze	1 1/2	2 1/8	1 5/16	3 3/4	No. 10	ØØPDPC15Ø	ØØPDPK15Ø	ORING15Ø	1.10
ØØPDP15ØG	gas	bronze	1 1/2	2 1/8	1 5/16	3 3/4	No. 10	ØØPDPC15Ø	ØØPDPK15Ø	ORING15Ø	1.10
ØØPDP15ØH	water	bronze	1 1/2	2 1/8	1 5/16	3 3/4	No. 10	ØØPDPC15Ø	ØØPDPK15Ø	ORING15Ø	1.10
ØØPDP15ØNM	no mark	bronze	1 1/2	2 1/8	1 5/16	3 3/4	No. 10	ØØPDPC15Ø	ØØPDPK15Ø	ORING15Ø	1.10
ØØPDP15ØW	waste	bronze	1 1/2	2 1/8	1 5/16	3 3/4	No. 10	ØØPDPC15Ø	ØØPDPK15Ø	ORING15Ø	1.10
7ØPDPS15ØD	diesel	stainless steel 316	1 1/2	2 1/8	1 5/16	3 3/4	No. 10	7ØPDPS15ØC	ØØPDPK15Ø	ORING15ØSS	1.10
7ØPDPS15ØF	fuel	stainless steel 316	1 1/2	2 1/8	1 5/16	3 3/4	No. 10	7ØPDPS15ØC	ØØPDPK15Ø	ORING15ØSS	1.10
7ØPDPS15ØG	gas	stainless steel 316	1 1/2	2 1/8	1 5/16	3 3/4	No. 10	7ØPDPS15ØC	ØØPDPK15Ø	ORING15ØSS	1.10
7ØPDPS15ØH	water	stainless steel 316	1 1/2	2 1/8	1 5/16	3 3/4	No. 10	7ØPDPS15ØC	ØØPDPK15Ø	ORING15ØSS	1.10
7ØPDPS15ØNM	no mark	stainless steel 316	1 1/2	2 1/8	1 5/16	3 3/4	No. 10	7ØPDPS15ØC	ØØPDPK15Ø	ORING15ØSS	1.10
7ØPDPS15ØO	oil	stainless steel 316	1 1/2	2 1/8	1 5/16	3 3/4	No. 10	7ØPDPS15ØC	ØØPDPK15Ø	ORING15ØSS	1.10
7ØPDPS15ØW	waste	stainless steel 316	1 1/2	2 1/8	1 5/16	3 3/4	No. 10	7ØPDPS15ØC	ØØPDPK15Ø	ORING15ØSS	1.10
ØØPDP2ØØD	diesel	bronze	2	2 7/8	1 1/2	4 5/8	No. 10	ØØPDPC2ØØ	ØØPDPK2ØØ	ORING2ØØ	2.30
ØØPDP2ØØF	fuel	bronze	2	2 7/8	1 1/2	4 5/8	No. 10	ØØPDPC2ØØ	ØØPDPK2ØØ	ORING2ØØ	2.30
ØØPDP2ØØG	gas	bronze	2	2 7/8	1 1/2	4 5/8	No. 10	ØØPDPC2ØØ	ØØPDPK2ØØ	ORING2ØØ	2.30
ØØPDP2ØØH	water	bronze	2	2 7/8	1 1/2	4 5/8	No. 10	ØØPDPC2ØØ	ØØPDPK2ØØ	ORING2ØØ	2.30
ØØPDP2ØØNM	no mark	bronze	2	2 7/8	1 1/2	4 5/8	No. 10	ØØPDPC2ØØ	ØØPDPK2ØØ	ORING2ØØ	2.30
ØØPDP2ØØW	waste	bronze	2	2 7/8	1 1/2	4 5/8	No. 10	ØØPDPC2ØØ	ØØPDPK2ØØ	ORING2ØØ	2.30
Ø1PDP2ØØNM ¹	no mark	bronze	2	2 7/8	1 1/2	4 5/8	No. 10	Ø1PDPC2ØØ	ØØPDPK2ØØ	ORING2ØØ	2.30
7ØPDPS2ØØD	diesel	stainless steel 316	2	2 7/8	1 1/2	4 5/8	No. 10	7ØPDPS2ØØC	ØØPDPK2ØØ	ORING2ØØSS	2.30
7ØPDPS2ØØF	fuel	stainless steel 316	2	2 7/8	1 1/2	4 5/8	No. 10	7ØPDPS2ØØC	ØØPDPK2ØØ	ORING2ØØSS	2.30
7ØPDPS2ØØG	gas	stainless steel 316	2	2 7/8	1 1/2	4 5/8	No. 10	7ØPDPS2ØØC	ØØPDPK2ØØ	ORING2ØØSS	2.30
7ØPDPS2ØØH	water	stainless steel 316	2	2 7/8	1 1/2	4 5/8	No. 10	7ØPDPS2ØØC	ØØPDPK2ØØ	ORING2ØØSS	2.30
7ØPDPS2ØØNM	no mark	stainless steel 316	2	2 7/8	1 1/2	4 5/8	No. 10	7ØPDPS2ØØC	ØØPDPK2ØØ	ORING2ØØSS	2.30
7ØPDPS2ØØO	oil	stainless steel 316	2	2 7/8	1 1/2	4 5/8	No. 10	7ØPDPS2ØØC	ØØPDPK2ØØ	ORING2ØØSS	2.30
7ØPDPS2ØØW	waste	stainless steel 316	2	2 7/8	1 1/2	4 5/8	No. 10	7ØPDPS2ØØC	ØØPDPK2ØØ	ORING2ØØSS	2.30

Note: All dimensions are in inches and are reference only

Sold individually, each pipe deck plate is furnished with a beaded chain, cap, o-ring and key

Replacement caps, keys and o-rings are sold individually

¹ Part number has a polished finish

Deck Plates, Caps and Keys

Machine finish

Part No.	Material	Opening ID	Hub OD	Length under flange	Flange OD	Screw size	Weight (pounds)	Cap Part No.	Key Part No.
ØØDP4ØØ	bronze	4	4 3/8	5/8	5 3/4	No. 12	3	ØØDP4ØØC	ØØDP4ØØK
ØØDP5ØØ	bronze	5	5 3/8	3/4	7 3/8	No. 12	4	ØØDP5ØØC	ØØDP5ØØK
ØØDP6ØØ	bronze	6	6 1/2	3/4	8 1/8	No. 12	5	ØØDP6ØØC	ØØDP6ØØK
ØØDP8ØØ	bronze	8	8 1/4	1	10 1/4	3/16	9	ØØDP8ØØC	ØØDP8ØØK

Note: All dimensions are in inches and are reference only
 To be installed with flat head or oval head screws
 Plates, caps and keys sold individually
 O-rings are not included or necessary



Oval Rope Deck Plates

Polished finish

Part No.	Material	Flange W x L	Pipe opening	Hub W x L	Length under flange	Screw size	Weight (pounds)
7ØORDPS2	stainless steel 316	4 x 5 1/2	2 7/16 x 3 3/4	2 3/4 x 4 1/8	3/4	No. 8	1.90

Note: All dimensions are in inches and are reference only
 Complete with spring loaded hinged top
 To be installed with flat head or oval head screws



Scupper Plates

Polished finish

Part No.	Material	Overall length	Overall height	Overall width	Screw size	Weight (pounds)
7ØSCUPPER	stainless steel 316	4 5/8	1/4	6 5/8	1/4	1.50

Note: All dimensions are in inches and are reference only
 To be installed with flat head or oval head screws



Engine Air Intake Cap

Polished finish

Part No.	Material	Overall length	Overall height	Overall width	Screw size	Weight (pounds)
7ØGCBEARCLAW	stainless steel 316	8 3/4	1 1/2	5 1/2	No. 6	1.80

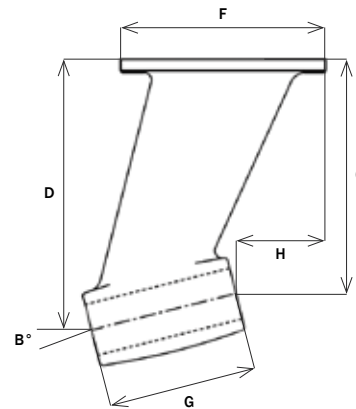
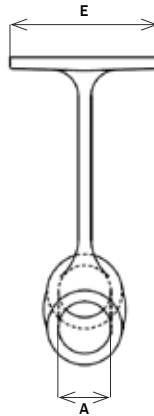
Note: All dimensions are in inches and are reference only
 To be installed with flat head or oval head screws



Main Struts

Bronze

B

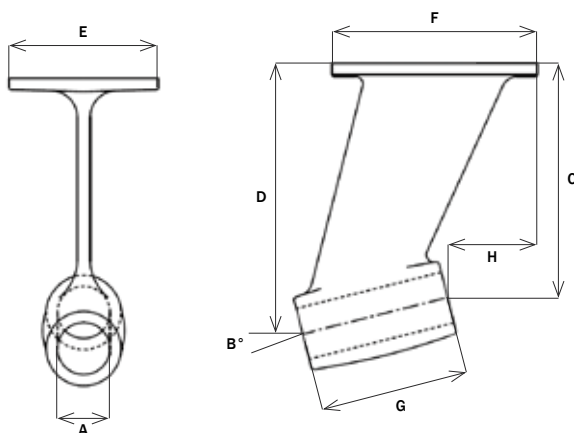


Part No.	Bore size (A)	Shaft angle (B)	Forward drop (C)	Aft drop (D)	Base width (E)	Base length (F)	Barrel length (G)	Offset (H)	Original OEM	Cast No.	Weight (pounds)
MS1 125	1 1/4	12°	5 1/16	6 3/32	3 3/8	5 3/4	5	1 5/16	Foresburg	16FT	5
MS2 200	2	12°	7 3/4	8 3/4	4 5/8	6 1/4	5	1 23/32	-	A-125	11
MS4 200	2	21°	5 1/4	7 1/16	4 7/8	6	4 7/8	0	-	A-113, 1236 33FT	11
MS5 200	2	11°	8 31/32	9 15/16	7	7	5	7	Wheeler	No. 258	19
MS6 2375	2 3/8	10 1/2°	10 3/4	11 25/32	7 3/4	8 1/4	5 5/8	4 3/32	Wheeler	No. 175	29
MS7 175	1 3/4	17°	6 3/8	7 13/16	6	9	4 7/8	4 3/16	-	-	10
MS8 150	1 1/2	12°	6 15/16	7 15/16	4	6	4 3/4	5/8	Peterson Boat	38FT	8
MS9 200	2	14°	8 15/16	10 5/16	6 1/4	6 3/4	5 5/8	2 7/16	-	-	18
MS10 150	1 1/2	19°	5 5/8	6 29/32	3 1/4	5 1/2	4	3 3/32	Crestliner	-	7
MS10X200BH	2	14°	6 7/16	7 5/8	5	6	5	1 9/16	Jefferson/Alrio	4/74	9
MS10XL200B	2	14°	7 7/16	8 11/16	5	6	5	1 11/16	Jefferson/Alrio	-	10
MS10XLW200	2	14°	8 13/32	9 21/32	5	6	5	1 3/4	-	-	11
MS14 150	1 1/2	11 1/2°	6 21/32	7 7/16	3 5/16	5 7/8	4	2 1/4	Revel-Craft	-	7
MS15 200	2	13°	9 9/16	10 3/4	5 3/4	7	5 1/4	- 1/16	Greenwich Main	-	22
MS15 2375	2 1/4	13°	9 7/32	10 25/32	5 3/4	7	7	- 3/4	-	-	19
MS16 200	2	23°	7 7/8	9 25/32	6 1/4	9 1/4	4 7/8	2 7/8	Peterson Boat	38FT	18
MS19 150	1 1/2	15°	9 9/16	10 7/8	5 3/4	8	5	6 11/16	South Hampton	31FT BAH1	15
MS20 150	1 1/2	16 1/2°	7 1/2	8 21/32	4 7/8	8	5	2 3/8	Egg Harbor	30FT	14
MS21 175	1 3/4	14 1/2°	8 23/32	10 1/16	5	6 5/8	5	1 13/16	Pacemaker	AL-30-S 175	13
MS22 150	1 1/2	15°	6 1/2	7 9/16	3 1/2	6	4	2 1/2	Revel-Craft	6227	7
MS23 2375	2 3/8	11°	12 1/8	13 7/16	6	8 1/2	7	1 7/8	-	-	22
MS27 1625	1 5/8	19°	5 3/4	7 3/32	4	7	4	3 3/16	Alglass	24T65	8
MS28 175	1 3/4	14°	9 31/32	11 7/32	5	8	5	3 3/16	Pacemaker	34T66	12
MS30150 BH	1 1/2	17 1/2°	6 15/16	8 5/32	5	7 1/2	4	2 9/16	Wahoo	-	10

Note: All dimensions are in inches and are reference only
 All struts come bored to accept a shaft bearing with setscrews installed
 Shaft bearings and baseholes can be installed upon request

Main Struts

Bronze



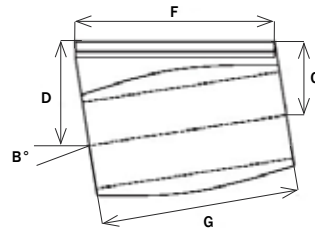
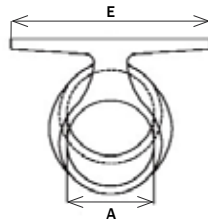
B

Part No.	Bore size (A)	Shaft angle (B)	Forward drop (C)	Aft drop (D)	Base width (E)	Base length (F)	Barrel length (G)	Offset (H)	Original OEM	Cast No.	Weight (pounds)
MS31 175	1 3/4	17 1/2°	8 11/32	9 27/32	5	8	5	3 5/16	Splendor Craft	-	13
MS32 200	2	10°	11 7/16	12 5/16	6 1/2	8	5	5 5/16	Pacemaker	36-72 DCFB	20
MS33 2375BH	2 3/8	8 1/2°	12 21/32	13 17/32	8	9	6	6 7/8	Ocean Yachts	40FT SF	40
MS34 200BH	2	12°	10 29/32	12 3/64	6	8	5 1/2	5 1/8	Pacemaker	36-SF, ST-72 or EH-36	20
MS39 200	2	11°	8 3/4	9 13/16	4 7/8	6 7/8	5 1/2	9/16	Egg Harbor	33FT	15
MS42 2375	2 3/8	14°	10 31/32	12 11/32	7 3/4	8 1/4	5 11/16	4 3/8	-	-	33
MS43 2000	2	15 1/2°	8 9/16	9 15/16	5 1/4	10 1/8	5	5 5/8	-	-	17
MS49 175	1 3/4	14°	9 9/32	10 1/2	5	7	5	2 15/32	Wellcraft	-	16
MS50 175	1 3/4	14°	7 27/32	9 1/16	5	6 7/8	5	3	Wellcraft	WE14201882	20
MS51 2375	2 3/8	13°	12 5/16	13 29/32	7 3/8	9	7	4	Wellcraft	WE14202404 (40FT)	39
MS53 175	1 3/4	19°	7 29/32	9 11/16	4 1/2	8	5 1/2	4 3/16	Topaz	TP24FTMAIN	15
MS54 2625	2 5/8	15°	12	13 13/16	6 1/2	10 1/4	7	3 1/2	Sabre	SLSA36	41
MS56 1625	1 5/8	16 1/2°	7 3/8	9 3/16	3 7/8	6 1/2	4 1/2	- 3/8	Navstar-Tartan	NS372	10
MS57 1625	1 5/8	18 1/2°	7 5/32	8 15/32	3 1/8	5 1/2	4 1/8	-1	Navstar-Tartan	NS846	14
MS59 125	1 1/4	15°	6 11/16	7 3/4	3 1/2	6	4	3 1/8	Trojan	13051	6
MS60 125	1 1/4	18°	5 3/8	6 21/32	3 1/2	6	4	3 1/4	Trojan	-	5
MS61 125	1 1/4	16°	6 3/8	7 17/32	3 1/2	6	4 1/8	3 1/8	Trojan	13057	6
MS62 125	1 1/4	15 1/2°	7 9/16	8 5/16	4	6	4	2 3/4	Trojan	13063	7
MS63 175	1 3/4	11 1/2°	8 15/64	9 7/16	4 1/2	8	5	4 13/16	Trojan	-	13
MS67 2375	2 5/8	12°	3 3/4	5 1/32	4 1/4	6 1/8	6	- 1/16	Egg Harbor	35FT INT	10
MS74 175	1 3/4	15°	10 1/16	11 5/16	5 3/4	11 1/2	5	8 9/32	Silverton	SMS3033-3	21
MS75 175	1 3/4	14 1/2°	9 7/32	10 15/32	5 3/4	11 1/2	5	8 9/32	Silverton	SMS30-33	15
MS76 200	2	15°	9 17/32	10 13/16	6	8	5	5 29/32	Ocean Yachts	OCMS24	22

Note: All dimensions are in inches and are reference only
 All struts come bored to accept a shaft bearing with setscrews installed
 Shaft bearings and baseholes can be installed upon request

Intermediate - Half Size Struts

Bronze



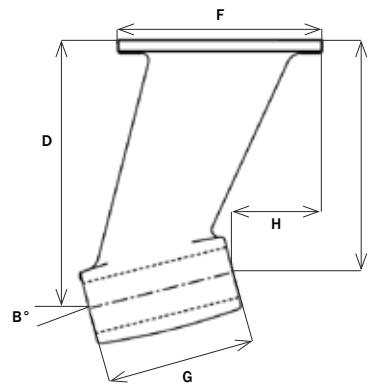
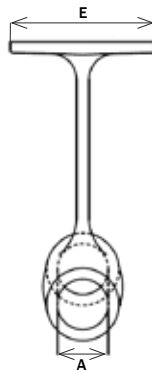
B

Part No.	Bore size (A)	Shaft angle (B)	Forward drop (C)	Aft drop (D)	Base length (F)	Base width (E)	Barrel length (G)	Original OEM	Cast No.	Weight (pounds)
IS2X 175	1 3/4	11°	2 1/4	2 23/32	2 7/8	3 3/8	2 1/2	Ocean Yachts	-	4
IS3X 2375	2 3/8	11 3/4°	2 5/8	3 3/16	4 1/2	3 1/4	2 3/4	Ocean Yachts	-	6
IS7X 2ØØ	2	14°	1 5/8	2 7/32	3 1/8	4 5/8	2 7/16	Pacemaker	36FT 1972-36-72	3

Note: All dimensions are in inches and are reference only
 All struts come bored to accept a shaft bearing with setscrews installed
 Shaft bearings and baseholes can be installed upon request

Sailboat Struts

Bronze



Part No.	Bore size (A)	Shaft angle (B)	Forward drop (C)	Aft drop (D)	Base width (E)	Base length (F)	Barrel length (G)	Offset (H)	Weight (pounds)
MSS1 125	1 1/4	12°	5 7/8	6 11/16	3 3/8	5 3/4	4	13/16	4.3
MSS2 125	1 1/4	18°	4 7/8	6 1/8	3 1/2	5 1/2	4	3	4
MSS3 125	1 1/4	18 1/2°	4 3/4	6 1/32	3 3/4	6 1/2	4	2 11/16	4
MSS4 125	1 1/4	20 1/2°	6 3/8	7 3/4	4 1/8	5 7/8	4	2 1/4	8

Note: All dimensions are in inches and are reference only
 All struts come bored to accept a shaft bearing with setscrews installed
 Shaft bearings and baseholes can be installed upon request

Universal Sailboat Struts

Bronze

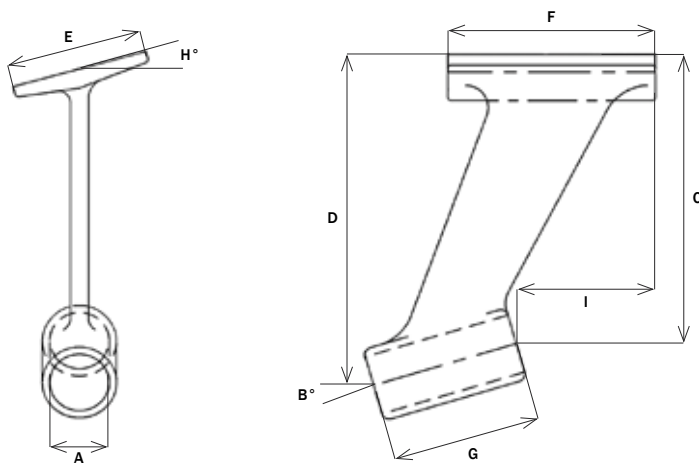


Part No.	Bore size	Shaft angle	Barrel length	Web width	Overall length	Weight (pounds)
MSSU1125BØ	1 1/4	16°	4 1/8	3 1/2	16 1/2	10
MSSU115ØBØ	1 1/2	16°	4 1/8	3 1/2	16 1/2	10

Note: All dimensions are in inches and are reference only
 All struts come bored to accept a shaft bearing with setscrews installed

Port and Starboard Struts

Bronze



B

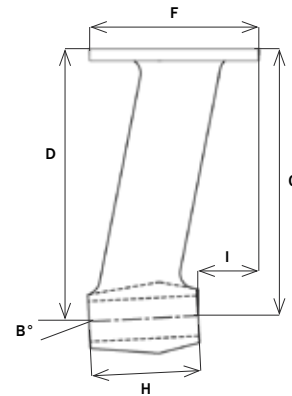
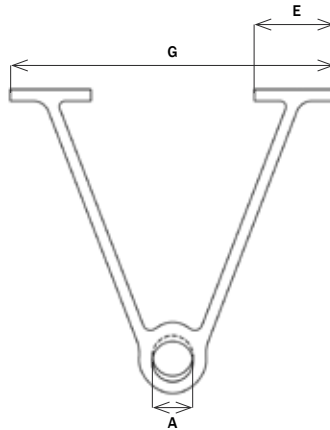
Starboard Part No.	Port Part No.	Bore size (A)	Shaft angle (B)	Forward drop (C)	Aft drop (D)	Base width (E)	Base length (F)	Barrel length (G)	Base angle (H)	Offset (I)	Original OEM	Cast No.	Weight (pounds)
MS1P&SSTAR	MS1P&SPORT	1 3/4	14°	8 27/32	10 1/16	5	6 3/4	5	6°	1 3/16	Pacemaker	AL-3Ø P&S 32FT PACE	11
MS4P&SSTAR	MS4P&SPORT	2	16°	9 5/32	10 9/16	4 5/8	7	5	15°	4 11/16	Wellcraft	WE142Ø25Ø1/ 251Ø	14
MS5P&SSTAR	MS5P&SPORT	2	11 1/2°	11 7/32	12 5/16	6	8	5 1/2	12°	7/8	Concorde	133-1ØØ1-P&S	22
MS8P&SSTAR	MS8P&SPORT	1 3/4	14°	8 1/2	9 3/4	5	7	5 1/8	16°	3	Wellcraft	WE142Ø1858/ 1866	17
MS15P&SSTA	MS15P&SPOR	2 3/8	16°	9 3/4	12	6	11 1/8	8 1/4	18°	4 1/2	Topaz	TØ32FT	35
MS16P&SSTA	MS16P&SPOR	2 5/8	15°	10 11/16	12 7/8	5 7/8	11	8 5/16	14°	4 1/4	Topaz	TC36FT	33
MS17P&SSTA	MS17P&SPOR	2 5/8	10 1/2°	14 7/16	16 3/32	7	12	9	16 1/2°	4 15/16	Topaz	TØ44FT	69
MS18P&SSTA	MS18P&SPOR	2 3/8	14 1/2°	9 31/32	11 5/8	5	9	6 9/16	16 1/2°	3 7/16	Topaz	TP29TM	23
MS19P&SSTA	MS19P&SPOR	3	13°	12 3/32	14 1/16	7	12 1/4	8 7/8	13°	4 1/2	Topaz	TP39FT	48
MS2ØP&SSTA	MS2ØP&SPOR	2	13°	8 11/32	9 5/8	4 7/8	9	5 5/8	17°	4 3/8	Topaz	TØPS29	14
MS22P&SSTA	MS22P&SPOR	3 1/8	11°	14 5/64	17 5/64	7	12 3/16	11 1/8	16 1/2°	5 13/16	Topaz	TP 5Ø FT	82
MS27P&SSTA	MS27P&SPOR	1 1/2	14°	8 5/16	9 17/32	6	6 3/4	5	5°	3 13/16	Wellcraft	WE142Ø1823/ 1815	12
MS28P&SSTA	MS28P&SPOR	2	14°	9 3/8	10 7/8	6	9	6 1/4	15°	4 3/16	Wellcraft	WE142315/ 3Ø5	26
MS29P&SSTA	MS29P&SPOR	1 1/2	14°	7 3/4	8 23/32	4 1/2	5 9/16	4	17°	2 13/16	Wellcraft	WE142Ø1751/ 831	8

Note: All dimensions are in inches and are reference only
 All struts come bored to accept a shaft bearing with setscrews installed
 Shaft bearings and baseholes can be installed upon request

Vee Struts

Bronze

B



Part No.	Bore size (A)	Shaft angle (B)	Forward drop (C)	Aft drop (D)	Base width (E)	Base length (F)	Outside pads (G)	Barrel length (H)	Offset (I)	Original OEM	Weight (pounds)
VS1 200	2	12°	9	10 1/4	3 1/2	7 5/8	13 1/4	6	3 1/8	Commodore	29
VS4 2375	2 5/8	6 1/2°	12 7/32	13 3/8	4 1/2	8	20 3/4	8	1/4	Machine & Supply	53
VS9 3125	3 7/8	6°	16 5/32	17 5/32	6	10	24 1/2	10	3/16	Ross	80
VS16 200	2	14 1/2°	10 3/4	12 1/4	3	8 5/8	17 1/8	6	2 1/8	Post	29
VS16 2625	2 5/8	14 1/2°	10 3/4	12 1/4	3	8 5/8	17 1/8	6	2 1/8	Post	35
VS17 2375	2 3/8	12 1/2°	11 5/8	13 1/8	5	8	20 3/4	7	2 11/16	Colonial	48
VS17X 300	2 7/8	13°	12 1/2	14 1/8	5 1/8	8	21	7	2 11/16	Post	58
VS27X 200	2	13°	6 29/32	8 1/16	3 3/16	4	13 7/8	5	1 1/16	Alglass	17
VS31 3125	3 1/8	9°	16 3/32	17 9/16	4	14	23 3/4	9	2 9/16	Yank	103
VS36 200	2	13°	11 5/32	12 9/32	2	6 7/16	19 1/4	5	2 1/16	Trojan	15
VS39 2625	2 5/8	11°	12 11/32	13 3/4	2	10	17 1/8	7	3 9/16	Trojan/Post	35

Note: All dimensions are in inches and are reference only
 All struts come bored to accept a shaft bearing with setscrews installed
 Shaft bearings and baseholes can be installed upon request

Adjustable Cut Off Type Struts

Bronze

Part No.	Bore size	Max. drop	Base width	Base length	Barrel length	Weight (pounds)
AS3 200	2	13 3/4	5	6	5	5
AS4 200	2	13 3/4	5	6	6	20
AS5 150	1 1/2	7	3 1/4	5 7/16	5	9

Note: All dimensions are in inches and are reference only
 All struts come bored to accept a shaft bearing and come with bolts, nuts and setscrews installed
 Shaft bearings and baseholes can be installed upon request

Replacement Parts

Part No.	Base Part No.	Barrel Part No.	Foot Part No.
AS3 200	AS3 BASE	AS3BARR 200	-
AS4 200	AS3 BASE	AS4BARR 200	AS4 FOOT
AS5 150	AS5 BASE	AS5BARR 150	-



Adjustable Swivel Type Struts

Bronze

Part No.	Bore size	Min. drop	Max. drop	Base width	Base length	Barrel length	Weight (pounds)	Replacement Base Part No.	Replacement Barrel Part No.
AS1 150	1 1/2	5 1/4	4	2 13/16	5 1/2	4	6	AS1 BASE	AS1BARR 150
AS1 175	1 3/4	5 1/4	4	2 13/16	5 1/2	4	6	AS1 BASE	AS1BARR 175
AS2 150	1 1/2	7 3/16	7 3/4	3 5/16	6 1/4	5	11	AS2 BASE	AS2BARR 150
AS2 175	1 3/4	7 3/16	7 3/4	3 5/16	6 1/4	5	11	AS2 BASE	AS2BARR 175
AS2X 150	1 1/2	9	9 1/2	3 5/16	6 1/4	5	12	AS2 BASE	AS2XBARR 150
AS2X 175	1 3/4	9	9 1/2	3 5/16	6 1/4	5	12	AS2 BASE	AS2XBARR 175

Note: All dimensions are in inches and are reference only
 All struts come bored to accept a shaft bearing and come with bolts, nuts and setscrews installed
 Shaft bearings and baseholes can be installed upon request



Bronze Strut Bolts

Carriage, Flat Head Hex Socket, Oval Head Slotted, Hex Nut and Flat Washer

B



carriage



hex nut



flat head hex socket



flat washer



oval head slotted



lock washer

Part No.	Type	Thread size	Length under head
CARØ31X55ØCB	carriage	$\frac{5}{16}$ - 18	5 $\frac{1}{2}$
CARØ37X55ØCB	carriage	$\frac{3}{8}$ - 16	5 $\frac{1}{2}$
CARØ5ØX55ØCB	carriage	$\frac{1}{2}$ - 13	5 $\frac{1}{2}$
CARØ62X55ØCB	carriage	$\frac{5}{8}$ - 11	5 $\frac{1}{2}$
FLHDØ31X55ØSH	flat head hex socket	$\frac{5}{16}$ - 18	5 $\frac{1}{2}$
FLHDØ37X55ØSH	flat head hex socket	$\frac{3}{8}$ - 16	5 $\frac{1}{2}$
FLHDØ5ØX55ØSH	flat head hex socket	$\frac{1}{2}$ - 13	5 $\frac{1}{2}$
FLHDØ62X55ØSH	flat head hex socket	$\frac{5}{8}$ - 11	5 $\frac{1}{2}$
OVHDØ31X55ØOH	oval head slotted	$\frac{5}{16}$ - 18	5 $\frac{1}{2}$
OVHDØ37X55ØOH	oval head slotted	$\frac{3}{8}$ - 16	5 $\frac{1}{2}$
OVHDØ5ØX55ØOH	oval head slotted	$\frac{1}{2}$ - 13	5 $\frac{1}{2}$
OVHDØ62X55ØOH	oval head slotted	$\frac{5}{8}$ - 11	5 $\frac{1}{2}$
HEXNUTØ31	hex nut	$\frac{5}{16}$ - 18	-
HEXNUT375	hex nut	$\frac{3}{8}$ - 16	-
HEXNUTØ5Ø	hex nut	$\frac{1}{2}$ - 13	-
HEXNUT625	hex nut	$\frac{5}{8}$ - 11	-
FLATWASHERØ31	flat washer	$\frac{5}{16}$	-
FLATWASHER375	flat washer	$\frac{3}{8}$	-
FLATWASHERØ5Ø	flat washer	$\frac{1}{2}$	-
FLATWASHER625	flat washer	$\frac{5}{8}$	-
LOCKWASHERØ31	lock washer	$\frac{5}{16}$	-
LOCKWASHER375	lock washer	$\frac{3}{8}$	-
LOCKWASHERØ5Ø	lock washer	$\frac{1}{2}$	-
LOCKWASHER625	lock washer	$\frac{5}{8}$	-

Note: All dimensions are in inches and are reference only
 Other bolt sizes may be available upon request
 Lock nuts are available upon request

Composite Bearings

Bearings

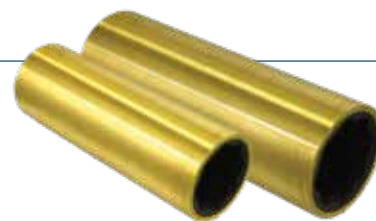
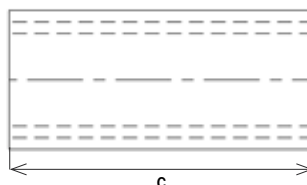
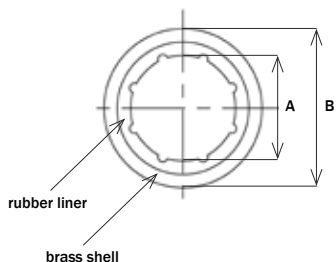


CIP Marine bearings are manufactured with polyester textile and a high performance resin with solid lubricants PTFE and molybdenum disulfide (MoS₂) evenly dispersed throughout the resin. CIP Marine bearings are typically used as propeller shaft and rudder bushings. CIP Marine bearings are a proprietary material specifically developed for marine environments. This combination of resin reinforced with textile creates a dimensionally stable material ideal for replacing bronze in marine environments.

Please contact our sales team for stock and custom sizes.

Naval Brass Sleeve Bearings

Naval Brass



Trellex Morse™ Part No.	ID (A)	OD (B)	Length (C)	Weight (pounds)
Albacore	3/4	1 1/4	3	0.50
Blenny	7/8	1 1/4	3 1/2	0.40
Barracuda	7/8	1 3/8	3 1/2	0.70
Bass	7/8	1 1/2	3 1/2	0.80
Betta	1	1 1/4	3	0.40
Blackfish	1	1 1/4	4	0.60
Bloater	1	1 3/8	4	0.50
Bonito	1	1 1/2	4	0.70
Broadbill	1	1 5/8	4	0.90
Bullhead	1	2	4	1.30
Cama	1 1/8	1 1/2	4 1/2	0.60
Carp	1 1/8	1 5/8	4 1/2	1.00
Catfish	1 1/8	1 3/4	4 1/2	1.10
Chobie	1 1/8	2	4 1/2	1.40
Chogset	1 1/4	1 1/2	5	0.60
Chub	1 1/4	1 3/4	5	1.20
Cod	1 1/4	2	5	1.50
Croaker	1 1/4	2 1/8	5	1.70
Devilfish	1 3/8	1 7/8	5 1/2	1.40
Dogfish	1 3/8	2	5 1/2	1.50
Dolphin	1 3/8	2 1/8	5 1/2	1.80
Eel	1 3/8	2 3/8	5 1/2	1.80
Flamen	1 1/2	2	4 3/8	1.50
Flatfish	1 1/2	2	6	1.60
Flounder	1 1/2	2 3/8	6	2.20
Gar	1 5/8	2 1/8	6 1/2	2.00
Grayback	1 5/8	2 5/8	6 1/2	2.60
Grouper	1 3/4	2 3/8	7	2.30
Haddo	1 3/4	2 5/8	7	2.80
Hake	1 7/8	2 5/8	7 1/2	2.80

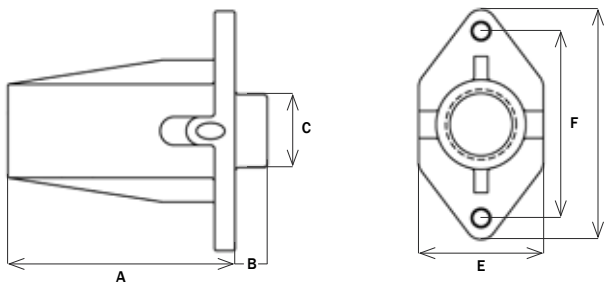
Note: All dimensions are in inches and are reference only
 Used for struts or stern tubes
 Shaft bearings can be installed upon request
 For sizes not shown or for metric and flanged bearings contact Hydrasearch

Trellex Morse™ Part No.	ID (A)	OD (B)	Length (C)	Weight (pounds)
Halibut	1 7/8	2 15/16	7 1/2	3.10
Herring	2	2 5/8	8	2.80
Kingfish	2	3	8	3.80
Mackerel	2 1/8	2 15/16	8 1/2	3.10
Manta	2 1/8	3 1/8	8 1/2	4.10
Margate	2 1/4	3	9	3.20
Marlin	2 1/4	2 15/16	9	3.10
Minnow	2 1/4	3 1/8	9	4.30
Mudfish	2 1/4	3 3/8	9	5.10
Mullet	2 3/8	3 3/8	9 1/2	4.80
Musky	2 1/2	3 1/8	10	4.50
Perch	2 1/2	3 3/8	10	5.10
Pickrel	2 5/8	3 3/8	10 1/2	5.20
Picuda	2 3/4	3 3/8	11	4.80
Pinfish	2 3/4	3 3/4	11	6.60
Porgy	2 7/8	3 3/4	11 1/2	6.50
Ray	3	3 3/4	12	6.80
Redfin	3	4	12	7.70
Redfish	3 1/8	4 1/4	12 1/2	8.60
Rockfish	3 1/4	4	13	7.80
Sailfish	3 1/4	4 1/4	13	8.70
Salmon	3 3/8	4 1/2	13 1/2	10.20
Sandfish	3 1/2	4 1/4	14	8.90
Sawfish	3 1/2	4 1/2	14	10.30
Sculpin	3 5/8	4 1/2	14 1/2	10.00
Shad	3 3/4	4 1/2	15	9.60
Shark	3 3/4	5	15	16.50
Silverfish	3 3/4	5 1/4	15	18.20
Smelt	3 7/8	5 1/4	15 1/2	18.70
Snapper	4	5	16	16.90
Sockeye	4	5 1/4	16	18.70

Note: All dimensions are in inches and are reference only
 Used for struts or stern tubes
 Shaft bearings can be installed upon request
 For sizes not shown or for metric and flanged bearings contact Hydrasearch

Albin Stern Bearing Housings

Bronze oval flange

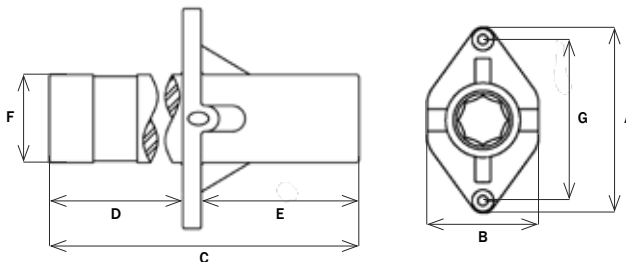


Part No.	Shaft size	Bore size	Dim. A	Dim. B	Dim. C	Dim. D	Dim. E	Dim. F	Bolthole size	Weight (pounds)
M24034	1 1/2	2	7	1	2 1/4	7 3/8	4	6	1/2	11

Note: All dimensions are in inches and are reference only
 Sold individually, comes complete with a shaft bearing and two (2) setscrews installed
 A 1 1/4 inch shaft size is available upon request

Albin Stern Bearing Housings

Bronze oval flange with tube

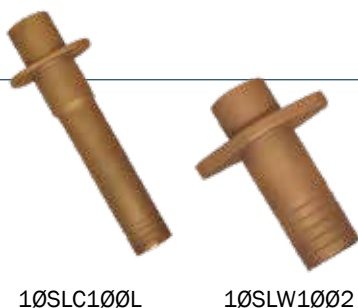


Part No.	Shaft size	Bore size	Dim. A	Dim. B	Dim. C	Dim. D	Dim. E	Dim. F	Dim. G	Bolthole size	Weight (pounds)
M24115	1 3/4	2 5/8	7 1/2	4 1/2	9	4 3/4	3 5/8	3	6 1/2	1/2	11
M24127	1 3/4	2 5/8	7 1/2	4 1/2	18 3/4	14	3 5/8	3	6 1/2	1/2	17.30
M24131	1 3/4	2 5/8	7 1/2	4 1/2	25 1/4	21	3 5/8	3	6 1/2	1/2	26

Note: All dimensions are in inches and are reference only
 Sold individually, comes complete with a shaft bearing and two (2) setscrews installed
 A 2 inch shaft size is available upon request

Sailboat Shaft Logs

Bronze - Complete assembly with two (2) setscrews

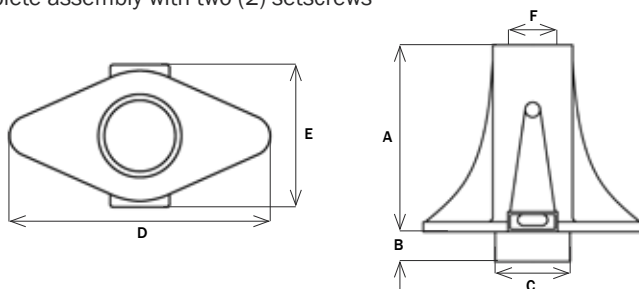


Part No.	Bore size	Hose ID	Length below flange	Length above flange	Flange Dimension	Weight (pounds)
1ØSLC1ØØL	1 1/2	1 3/4	9	2	2 1/2 x 4	5.00
1ØSLW1252	1 7/16	2	4 9/16	1 1/2	2 7/8 x 5	3.75

Note: All dimensions are in inches and are reference only
 All housings come bored to accept a shaft bearing
 Shaft bearings and flange holes can be installed upon request


Oval Bearing Housings

Oval flange - Complete assembly with two (2) setscrews



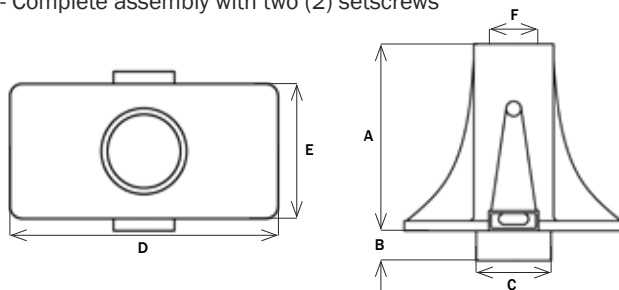
B

Part No.	Shaft size	Dim. A	Dim. B	Dim. C	Dim. D	Dim. E	Dim. F	NPSM thread size	Weight (pounds)
ØØSTB088	7/8	4 1/8	1/2	1 15/16	4 3/4	3 1/4	1 1/2	1 1/4 - 11 1/2	2.40
ØØSTB0100	1	4 3/4	1/2	2	5	3 1/4	1 5/8	1 1/4 - 11 1/2	3.50
ØØSTB0113	1 1/8	4 3/4	1/2	2	5	3 1/4	1 5/8	1 1/4 - 11 1/2	3.50
ØØSTB0125	1 1/4	5 5/8	7/8	2 3/8	6	3 13/16	2	1 1/2 - 11 1/2	5.00
ØØSTB0138	1 3/8	5 5/8	7/8	2 3/8	6	3 13/16	2	1 1/2 - 11 1/2	5.00
ØØSTB0150	1 1/2	5 5/8	7/8	2 3/8	6	3 13/16	2	1 1/2 - 11 1/2	5.00


Note: All dimensions are in inches and are reference only
 All housings come bored to accept a shaft bearing and are internally threaded 

Rectangular Bearing Housings

Rectangular flange - Complete assembly with two (2) setscrews



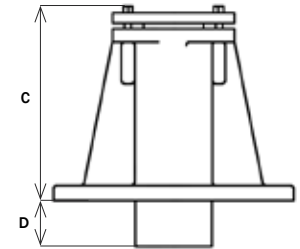
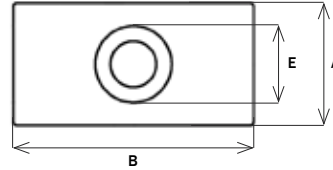
Part No.	Shaft size	Dim. A	Dim. B	Dim. C	Dim. D	Dim. E	Dim. F	NPSM thread size	Weight (pounds)
ØØSTBR138	1 3/8	6 7/8	1	2 7/8	7	3 1/2	2 3/8	2 - 11 1/2	12.50
ØØSTBR150	1 1/2	6 7/8	1	2 7/8	7	3 1/2	2 3/8	2 - 11 1/2	12.50
ØØSTBR175	1 3/4	7 7/8	1 1/8	3 3/8	8	4	2 5/8	2 1/2 - 8	17.00
ØØSTBR200	2	8 7/8	1 1/4	3 3/4	9 1/4	4 5/8	3	2 1/2 - 8	22.00
ØØSTBR225	2 1/4	8 7/8	1 1/4	3 5/8	9 1/4	4 5/8	3 1/8	2 1/2 - 8	22.00
ØØSTBR250	2 1/2	11	1 5/8	4 9/16	11 1/2	5 3/4	3 3/8	3 - 8	31.50
ØØSTBR275	2 3/4	11	1 5/8	4 9/16	11 1/2	5 3/4	3 3/8	3 - 8	31.50
ØØSTBR300	3	13 1/4	2	4 7/8	14	7	3 3/4	-	57.50

Note: All dimensions are in inches and are reference only
 All housings come bored to accept a shaft bearing and are internally threaded 

Rectangular Packing Boxes

Bronze - Rectangular Flange - Complete assembly with a gland and two (2) nuts per stud

B

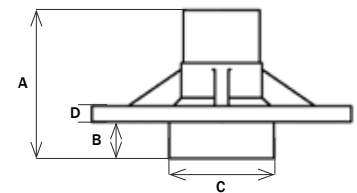
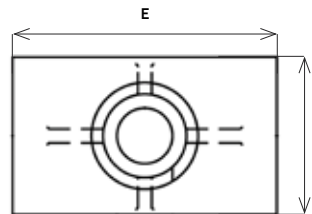


Part No.	Shaft size	Packing size	Dim. A	Dim. B	Dim. C	Dim. D	Dim. E	Weight (pounds)	Replacement Packing Gland Part No.	Replacement Box Studs Part No.
1Ø224	1 1/2	1/4	4	8	8 7/8	1 5/8	2 7/16	14.00	1Ø224G	STUDS
1Ø228	1 3/4	3/8	4 5/8	9 1/4	9 9/16	1 13/16	3 3/8	18.70	1Ø228G	STUDS
1Ø232	2	3/8	5 1/4	10 1/2	11 7/8	2 1/8	3 5/16	23.90	1Ø232G	STUDS62
1Ø236	2 1/4	1/2	6	12	11 7/8	2 7/16	3 5/16	34.10	1Ø236G	STUDS62

Note: All dimensions are in inches and are reference only
 Packing Box Studs includes two (2) nuts per stud, sold in pairs

Stern Tube Packing Boxes

Stern tube packing boxes are internally threaded - Complete assembly with lock nut and packing spud



Part No.	Shaft size	Packing size	Dim. A	Dim. B	Dim. C	Dim. D	Dim. E	Dim. F	Bolthole size	Weight (pounds)	Replacement Packing Spuds Part No.	Replacement Lock Nut Part No.
ØØSTPB125	1 1/4	1/4	4 7/8	1 5/8	2 1/2	5/16	5 3/8	3 1/2	1 1/2 - 11 1/2	5.75	ØØ125PBS	ØØ125PBN
ØØSTPB138	1 3/8	5/16	4 7/8	1 9/16	2 1/2	5/16	5 3/8	3 1/2	1 1/2 - 11 1/2	5.60	ØØ125PBS38	ØØ125PBN
ØØSTPB15Ø	1 1/2	1/4	4	1	2 7/8	7/16	7 1/8	4 1/4	2 - 11 1/2	7.60	ØØ15ØPBS	ØØ138PBN
ØØSTPB175	1 3/4	1/2	5 1/2	1	3 3/8	1/2	8 1/2	5 1/4	2 1/2 - 8	15.75	ØØ175PBS	ØØ175PBN
ØØSTPB2ØØ	2	3/8	5 1/2	1	3 3/8	1/2	8 1/2	5 1/4	2 1/2 - 8	14.10	ØØ2ØØPBS	ØØ175PBN
ØØSTPB225	2 1/4	7/16	5 3/4	1	3 3/8	5/8	8 1/2	5 1/4	2 1/2 - 8	18.85	ØØ225PBS	ØØ225PBN
ØØSTPB25Ø	2 1/2	5/16	5 13/16	1	4 1/16	5/8	8 1/2	5 1/4	3 - 8	18.00	ØØ25ØPBS	ØØ225PBN

Note: All dimensions are in inches and are reference only

Packing Boxes

Bronze - Self Aligning - Gland Type - Complete assembly with hose, four (4) clamps, a gland and two (2) nuts per stud

Part No.	Type	Shaft size	Hose ID	Overall length	Packing size	Weight (pounds)
ØØPB125G	-	1 1/4	2 1/4	9 3/8	1/4	4.00
ØØPB138G	-	1 3/8	2 1/2	9 7/8	5/16	4.00
ØØPB150G	-	1 1/2	2 1/2	9 7/8	1/4	4.00
ØØPB175G	-	1 3/4	3	11 15/16	3/8	8.50
ØØPB200G	-	2	3	11 15/16	1/4	8.50
ØØPB225G	-	2 1/4	3 1/2	12	3/8	11.00
ØØPB250G	-	2 1/2	3 1/2	12	1/4	11.00
ØØPB200GH	heavy duty	2	3 1/2	15 1/2	1/2	22.00
ØØPB225GH	heavy duty	2 1/4	3 1/2	15 1/2	3/8	22.00
ØØPB250GH	heavy duty	2 1/2	3 1/2	15 1/2	1/4	22.00
ØØPB250GHN	heavy duty	2 1/2	4	18 1/8	1/4	25.00
ØØPB275GH	heavy duty	2 3/4	4	18 1/8	1/2	31.00
ØØPB300GH	heavy duty	3	4	18 1/8	3/8	31.00
ØØPB300GH45	heavy duty	3	4 1/2	16 1/8	3/8	31.00

Note: All dimensions are in inches and are reference only

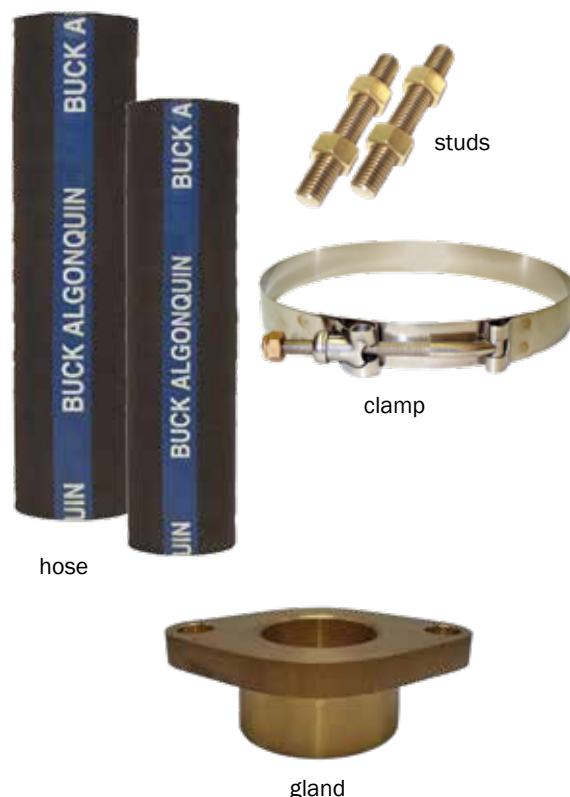
Replacement Parts

Part No.	Packing Box Studs Part No.	Clamps Part No.	Hoses Part No.	Glands Part No.	Body Part No.
ØØPB125G	STUDS37	7ØHSS44C	8ØH0225	ØØPB125GG	ØØPB125GB
ØØPB138G	STUDS37	7ØSTBC325	8ØH025Ø	ØØPB138GG	ØØPB138GB
ØØPB150G	STUDS37	7ØSTBC325	8ØH025Ø	ØØPB150GG	ØØPB150GB
ØØPB175G	STUDS	7ØSTBC375	8ØH030Ø	ØØPB175GG	ØØPB175GB
ØØPB200G	STUDS	7ØSTBC375	8ØH030Ø	ØØPB200GG	ØØPB200GB
ØØPB225G	STUDS	7ØSTBC425	8ØH035Ø	ØØPB225GG	ØØPB225GB
ØØPB250G	STUDS	7ØSTBC425	8ØH035Ø	ØØPB250GG	ØØPB250GB
ØØPB200GH	STUDS62	7ØSTBC425	8ØH035Ø	ØØPB200GHG	ØØPB200GHB
ØØPB225GH	STUDS62	7ØSTBC425	8ØH035Ø	ØØPB225GHG	ØØPB225GHB
ØØPB250GH	STUDS62	7ØSTBC425	8ØH035Ø	ØØPB250GHG	ØØPB250GHNB
ØØPB250GHN	STUDS62	7ØSTBC475	8ØH040Ø	ØØPB250GHG	ØØPB250GNB
ØØPB275GH	STUDS62	7ØSTBC475	8ØH040Ø	ØØ275PBBGGH	ØØ275PBBBGH
ØØPB300GH	STUDS62	7ØSTBC475	8ØH040Ø	ØØPB300GFG	ØØ300PBBGH
ØØPB300GH45	STUDS62	7ØSTBC525	8ØH045Ø	ØØPB300GFG	ØØPB300GHB45

Note: Packing Box Studs include two (2) nuts per stud, sold in pairs



B



Packing Boxes

Bronze - Self Aligning - Gland Type - Complete assembly with hose, four (4) clamps, a gland and two (2) nuts per stud



B

Part No.	Shaft size	Hose ID	Overall length	Packing size	Weight (pounds)	Replacement Packing Box Studs Part No.	Replacement Clamps Part No.	Replacement Hoses Part No.	Replacement Glands Part No.
ØØPBS125G	1 1/4	2	7 9/16	3/16	3	STUDS37	7ØSTBC256	SIPB125HOS	SIPB125GLD
ØØPBS138G	1 3/8	2 5/8	8 5/16	1/4	4	STUDS37	7ØSTBC312	SIPB138HOS	SIPB138GLD
ØØPBS15ØG	1 1/2	2 5/8	8 5/16	5/16	4	STUDS37	7ØSTBC312	SIPB138HOS	SIPB15ØGLD

Note: All dimensions are in inches and are reference only
Packing Box Studs include two (2) nuts per stud, sold in pairs

Packing Box Studs

Complete assembly with two (2) nuts per stud - Sold in pairs



Part No.	Thread size	Overall length	Weight (pounds)
STUDS37	3/8 - 16	3	0.20
STUDS	1/2 - 13	3 1/2	0.35
STUDS62	5/8 - 11	6	0.80

Note: All dimensions are in inches and are reference only

Packing Boxes

Bronze - Self Aligning - Gland Type - Complete assembly with hose, four (4) clamps, a gland and two (2) nuts per stud



Part No.	Shaft size	Hose ID	Overall length	Packing size	Weight (pounds)	Replacement Packing Box Studs Part No.	Replacement Clamps Part No.	Replacement Hoses Part No.	Replacement Glands Part No.
1553	1 3/4	3 1/2	11 5/8	3/8	8.80	STUDS	7ØSTBC425	8ØH035Ø	1553G
1554	2	3 1/2	11 5/8	1/4	8.80	STUDS	7ØSTBC425	8ØH035Ø	1554G

Note: All dimensions are in inches and are reference only
Packing Box Studs include two (2) nuts per stud, sold in pairs

Packing Boxes

Bronze - Self Aligning - Spud Type - Right Hand Thread - Complete assembly with hose, four (4) clamps, packing nut and lock nut



B

Part No.	Shaft size	Hose ID	Packing size	Weight (pounds)	Replacement Packing Spuds Part No.	Replacement Clamps (worm gear) Part No.	Replacement Clamps (t-bolt) Part No.	Replacement Hoses Part No.	Replacement Lock Nuts Part No.
ØØPB75	¾	1 ½	¾	1.75	ØØ75PBS	7ØHSS32	7ØSTBC225	8ØH0150	ØØ10ØPBN
ØØPB88	7/8	1 ¾	5/16	1.75	ØØ88PBS	7ØHSS36	7ØSTBC238	8ØH0175	ØØ10ØPBN
ØØPB10ØX	1	1 ½	¼	1.75	ØØ10ØPBS	7ØHSS32	7ØSTBC225	8ØH0150	ØØ10ØPBN
ØØPB10Ø	1	1 ¾	¼	1.75	ØØ10ØPBS	7ØHSS36	7ØSTBC238	8ØH0175	ØØ10ØPBN
ØØPB10ØFG	1	2	¼	1.90	ØØ10ØPBS	7ØHSS40	7ØSTBC275	8ØH0200	ØØ10ØPBN
ØØPB10Ø225	1	2 ¼	¼	2.30	ØØ10ØPBS	7ØHSS44	7ØSTBC300	8ØH0225	ØØ10ØPBN
ØØPB113	1 1/8	1 ¾	3/16	1.75	ØØ113PBS	7ØHSS36	7ØSTBC238	8ØH0175	ØØ10ØPBN
ØØPB113FG	1 1/8	2	3/16	1.90	ØØ113PBS	7ØHSS40	7ØSTBC275	8ØH0200	ØØ10ØPBN
ØØPB113H	1 1/8	2 ¼	3/16	2.80	ØØ113PBS	7ØHSS44	7ØSTBC300	8ØH0225	ØØ10ØPBN
ØØPB125175	1 ¼	1 ¾	¼	2.75	ØØ125PBS	7ØHSS36	7ØSTBC238	8ØH0175	ØØ125PBN
ØØPB125FG	1 ¼	2	¼	2.30	ØØ125PBS	7ØHSS40	7ØSTBC275	8ØH0200	ØØ125PBN
ØØPB125	1 ¼	2 ¼	¼	2.85	ØØ125PBS	7ØHSS44	7ØSTBC300	8ØH0225	ØØ125PBN
ØØPB138	1 3/8	2 ½	5/16	3.35	ØØ138PBS	7ØHSS48	7ØSTBC325	8ØH0250	ØØ138PBN
ØØPB15225	1 ½	2 ¼	¼	3.80	ØØ150PBS	7ØHSS44	7ØSTBC300	8ØH0225	ØØ138PBN
ØØPB150	1 ½	2 ½	¼	3.35	ØØ150PBS	7ØHSS48	7ØSTBC325	8ØH0250	ØØ138PBN
JPB175	1 ¾	2 ½	¾	5.70	ØØ175PBSOY	7ØHSS48	7ØSTBC325	8ØH0250	ØØ175PBN0Y
ØØPB175	1 ¾	3	½	8.00	ØØ175PBS	7ØHSS56	7ØSTBC375	8ØH0300	ØØ175PBN
ØØPB175L	1 ¾	3 ½	½	9.00	ØØ175PBS	7ØHSS72	7ØSTBC425	8ØH0350	ØØ175PBN
ØØPB200	2	3	¾	8.00	ØØ200PBS	7ØHSS56	7ØSTBC375	8ØH0300	ØØ175PBN
ØØPB200L	2	3 ½	¾	9.00	ØØ200PBS	7ØHSS72	7ØSTBC425	8ØH0350	ØØ175PBN
ØØPB225	2 ¼	3 ½	7/16	12.00	ØØ225PBS	7ØHSS72	7ØSTBC425	8ØH0350	ØØ225PBN
ØØPB250	2 ½	3 ½	5/16	12.00	ØØ250PBS	7ØHSS72	7ØSTBC425	8ØH0350	ØØ225PBN
ØØPB300	3	4 ½	9/16	30.00	ØØ300PBS	7ØHSS88	7ØSTBC532L	8ØH0450	ØØ300PBN

Note: All dimensions are in inches and are reference only

Water Cooled Packing Boxes

Bronze - Self Aligning - Spud Type - Complete assembly with hose, four (4) clamps, hose adapter, packing nut and lock nut

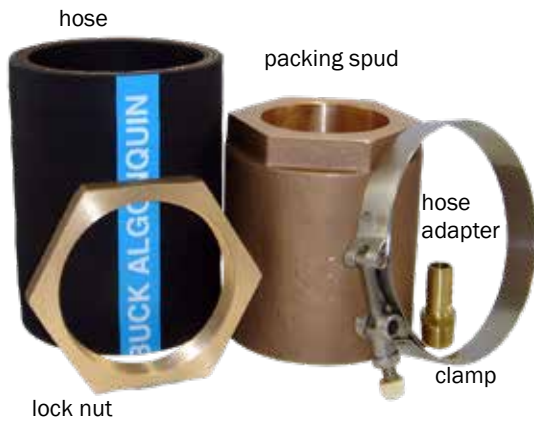
B



Part No.	Shaft size	Hose ID	Overall length	Water injection	Packing size	Weight (pounds)
8413225	1 3/8	2 1/4	9 1/2	1/2	7/16	15.50
8413250	1 3/8	2 1/2	10	1/2	7/16	15.75
8413300	1 3/8	3	10 1/2	1/2	7/16	16.00
8415225	1 1/2	2 1/4	9 1/2	1/2	3/8	15.25
8415250	1 1/2	2 1/2	10	1/2	3/8	15.50
8415300	1 1/2	3	10 1/2	1/2	3/8	15.75
8417300	1 3/4	3	11 7/16	1/2	1/2	15.50
8417350	1 3/4	3 1/2	11 7/16	1/2	1/2	27.00
8420300	2	3	11 3/8	1/2	3/8	15.25
8420350	2	3 1/2	11 7/16	1/2	3/8	26.50
8422400	2 1/4	4	13 5/8	1/2	7/16	30.00
8425400	2 1/2	4	13 5/8	1/2	5/16	28.00

Note: All dimensions are in inches and are reference only

Replacement Parts



Replacements

Part No.	Packing Spuds Part No.	Clamps Part No.	Hoses Part No.	Hose Adapter Part No.	Lock Nuts Part No.
8413225	82138S	70STBC300	80HO225	00BN43	82138N
8413250	82138S	70STBC325	80HO250	00BN43	82138N
8413300	82138S	70STBC375	80HO300	00BN43	82138N
8415225	82150S	70STBC300	80HO225	00BN43	82138N
8415250	82150S	70STBC325	80HO250	00BN43	82138N
8415300	82150S	70STBC375	80HO300	00BN43	82138N
8417300	82175S	70STBC375	80HO300	00BN43	00175PBN
8417350	82175S	70STBC425	80HO350	00BN43	00175PBN
8420300	82200S	70STBC375	80HO300	00BN43	00175PBN
8420350	82200S	70STBC425	80HO350	00BN43	00175PBN
8422400	8422400S	70STBC475	80HO400	00BN43	00225PBN
8425400	842250S	70STBC475	80HO400	00BN43	00225PBN

Thru Hull Style Shaft Logs

Bronze - Complete assembly with spud style packing box and lock nut



B

Part No.	Shaft size	Hose ID	Overall length	Flange OD	Length of threads	Packing size	Weight (pounds)
ØØSL110ØFG	1	2	8 ³ / ₁₆	3 ¹ / ₄	1 ³ / ₄	¹ / ₄	3.70
ØØSL113FG	1 ¹ / ₈	2	8 ³ / ₁₆	3 ¹ / ₄	1 ³ / ₄	³ / ₁₆	3.70
ØØSL125FG	1 ¹ / ₄	2	8 ¹⁵ / ₁₆	3 ¹ / ₄	1 ³ / ₄	¹ / ₄	4.80
ØØSL138FG	1 ³ / ₈	2 ¹ / ₂	10 ³ / ₈	4	2	⁵ / ₁₆	7.40
ØØSL150FG	1 ¹ / ₂	2 ¹ / ₂	10 ³ / ₈	4	2	¹ / ₄	7.40
ØØSL175FG	1 ³ / ₄	3	11 ¹ / ₄	4 ³ / ₄	2 ³ / ₈	¹ / ₂	18.00
ØØSL200FG	2	3	11 ¹ / ₄	4 ³ / ₄	2 ³ / ₈	³ / ₈	18.00
ØØSL225FG	2 ¹ / ₄	3 ¹ / ₂	12 ¹ / ₄	5 ¹ / ₂	2 ¹ / ₂	⁷ / ₁₆	21.00
ØØSL250FG	2 ¹ / ₂	3 ¹ / ₂	12 ¹ / ₄	5 ¹ / ₂	2 ¹ / ₂	⁵ / ₁₆	21.00
ØØSL275FG	2 ³ / ₄	4	15 ¹ / ₄	5 ³ / ₄	2 ⁹ / ₁₆	¹ / ₂	45.00
ØØSL300FG	3	4	16	5 ³ / ₄	2 ⁹ / ₁₆	³ / ₈	45.00

Note: All dimensions are in inches and are reference only
Packing boxes sold separately on page 31

Thru Hull Style Shaft Logs

Bronze - Log only with lock nut

Part No.	Shaft size	Hose ID	Threaded OD	Flange OD	Length of threads	Length under flange	Weight (pounds)
ØØSLL110ØFG	1	2	2.18	3 ¹ / ₄	1 ³ / ₄	3 ¹ / ₄	2.50
ØØSLL113FG	1 ¹ / ₈	2	2.18	3 ¹ / ₄	1 ³ / ₄	3 ¹ / ₄	2.50
ØØSLL125FG	1 ¹ / ₄	2	2.18	3 ¹ / ₄	1 ³ / ₄	3 ¹ / ₄	2.50
ØØSLL138FG	1 ³ / ₈	2 ¹ / ₂	3	4	2	4 ³ / ₈	5.00
ØØSLL150FG	1 ¹ / ₂	2 ¹ / ₂	3	4	2	4 ³ / ₈	5.00
ØØSLL175FG	1 ³ / ₄	3	3.63	4 ³ / ₄	2 ³ / ₈	5 ¹ / ₂	8.60
ØØSLL200FG	2	3	3.63	4 ³ / ₄	2 ³ / ₈	5 ¹ / ₂	8.60
ØØSLL225FG	2 ¹ / ₄	3 ¹ / ₂	3.99	5 ¹ / ₂	2 ¹ / ₂	5 ¹ / ₂	10.40
ØØSLL250FG	2 ¹ / ₂	3 ¹ / ₂	3.99	5 ¹ / ₂	2 ¹ / ₂	5 ¹ / ₂	10.40
ØØSLL275FG	2 ³ / ₄	4	4.46	5 ³ / ₄	2 ⁹ / ₁₆	5 ¹ / ₄	13.00
ØØSLL300FG	3	4	4.46	5 ³ / ₄	2 ⁹ / ₁₆	5 ¹ / ₄	13.00
ØØSLL450FG	3 ¹ / ₂	4 ¹ / ₂	4.88	6	2 ³ / ₄	5 ¹ / ₄	17.00

Note: All dimensions are in inches and are reference only



Angled Style Shaft Logs

Bronze - Complete assembly with spud style packing box



B

Part No.	Shaft size	Hose ID	Angle degree	Overall length	Base width	Base length	Packing size	Weight (pounds)
ØØSL1ØØX	1	1 1/2	12°	17	3	11	1/4	4.70
ØØSL1ØØ	1	1 3/4	13°	19	3 1/2	12 1/2	1/4	7.00
ØØSL113 1	1 1/8	1 3/4	13°	19	3 1/2	12 1/2	3/16	7.00
ØØSL113H	1 1/8	2 1/4	15°	21	4 1/8	14	3/16	10.30
ØØSL125 1	1 1/4	2 1/4	12°	28	4 1/4	20 5/8	1/4	15.20
ØØSL138	1 3/8	2 1/2	12°	32	5 1/4	24	1/4	17.75
ØØSL138L	1 3/8	2 1/2	8°	36	5 1/4	28 1/2	3/16	21.00
ØØSL15Ø 1	1 1/2	2 1/2	12°	32	5 1/4	24 1/4	1/4	17.75
ØØSL15ØL 1	1 1/2	2 1/2	8°	36	5 1/4	28 1/2	1/4	21.00
ØØSL175 1	1 3/4	3	9°	41 1/2	7	32 1/2	1/2	31.50
ØØSL2ØØ 1	2	3	9°	41 1/2	7	32 1/2	3/8	31.50

Note: All dimensions are in inches and are reference only
 Baseholes can be installed upon request
 1 Available in left hand threads upon request
 Packing boxes sold separately on page 31

Angled Style Shaft Logs

Bronze - Log Only



Part No.	Shaft size	Hose ID	Angle degree	Base width	Base length	Weight (pounds)
ØØSLL1ØØX	1	1 1/2	12°	2 15/16	10 7/8	3.00
ØØSLL1ØØ	1	1 3/4	13°	3 1/2	12 1/2	4.50
ØØSLL113H	1 1/8	2 1/4	15°	4 1/8	14	7.60
ØØSLL125	1 1/4	2 1/4	12°	4 1/4	20 5/8	9.50
ØØSLL138	1 3/8	2 1/2	12°	5 1/4	24 1/4	15.00
ØØSLL15Ø	1 1/2	2 1/2	12°	5 1/4	24 1/4	15.00
ØØSLL15ØL	1 1/2	2 1/2	8°	5 1/4	28 3/8	16.00
ØØSLL175	1 3/4	3	9°	7	32 1/2	25.50
ØØSLL2ØØ	2	3	9°	7	32 1/2	25.50

Note: All dimensions are in inches and are reference only
 Baseholes can be installed upon request

Offset Style Shaft Logs

Bronze - Complete assembly with spud style packing box

Part No.	Shaft size	Hose ID	Angle degree	Overall length	Base width	Base length	Packing size	Weight (pounds)
ØØSLO1ØØ	1	1 3/4	15°	13 1/2	4 7/8	11 1/2	1/4	6.00
ØØSLO1ØØL4	1	2	14°	13 1/2	5 1/2	11 1/2	1/4	7.00
ØØSLO1113 ¹	1 1/8	1 3/4	15°	13 1/2	4 7/8	11 1/2	3/16	6.00
ØØSLO12514 ¹	1 1/4	2 1/4	14°	21	5 1/2	20 1/4	1/4	14.00
ØØSLO125LT ¹	1 1/4	2 1/4	17°	15	5 1/2	15	1/4	10.00
ØØSLO125L4	1 1/4	2	14°	14	5 1/2	11 1/2	1/4	7.50
ØØSLO138	1 3/8	2 1/2	12°	22	7	22 3/8	3/16	15.00
ØØSLO15Ø ¹	1 1/2	2 1/2	12°	22	7	22 3/8	1/4	15.00
ØØSLO15ØL4	1 1/2	2 1/4	14°	14 1/2	5 1/2	11 1/2	1/4	8.50

Note: All dimensions are in inches and are reference only

Baseholes can be installed upon request

¹ Available in left hand threads upon request

Packing boxes sold separately on page 31



Offset Style Shaft Logs

Bronze - Log Only

Part No.	Shaft size	Hose ID	Angle degree	Base width	Base length	Weight (pounds)
ØØSLOL1ØØ	1	1 3/4	15°	4 7/8	11 1/2	6.00
ØØSLOL1ØL4	1	2	14°	5 1/2	11 1/2	7.00
ØØSLOL113	1 1/8	1 3/4	15°	4 7/8	11 1/2	6.00
ØØSLOL1254	1 1/4	2 1/4	14°	5 1/2	20 1/4	14.00
ØØSLOL125L	1 1/4	2 1/4	17°	5 1/2	15	10.00
ØØSLOL12L4	1 1/4	2	14°	5 1/2	11 1/2	7.50
ØØSLOL138	1 3/8	2 1/2	12°	7	22 3/8	15.00
ØØSLOL15Ø	1 1/2	2 1/2	12°	7	22 3/8	15.00
ØØSLOL15L4	1 1/2	2 1/4	14°	5 1/2	11 5/8	8.50

Note: All dimensions are in inches and are reference only

Baseholes can be installed upon request



B



Oval Base Shaft Logs

Bronze - Complete assembly with spud style packing box

Part No.	Shaft size	Hose ID	Overall length	Base width	Base length	Packing size	Weight (pounds)
ØØSL1ØØA	1	1 3/4	7 3/8	3	5 13/16	1/4	4.15
ØØSL113A ¹	1 1/8	1 3/4	7 3/8	3	5 13/16	3/16	4.10
ØØSL125A ¹	1 1/4	2 1/4	8 1/2	3	6 1/2	1/4	5.20

Note: All dimensions are in inches and are reference only
 Baseholes can be installed upon request
¹ Available in left hand threads upon request
 Packing boxes sold separately on page 31

Oval Base Shaft Logs

Bronze - Log Only



Part No.	Shaft size	Hose ID	Base width	Base length	Weight (pounds)
ØØSLL1ØØA	1	1 3/4	3	5 13/16	2.00
ØØSLL113A	1 1/8	1 3/4	3	5 13/16	2.00
ØØSLL125A	1 1/4	2 1/4	3	6 1/2	2.90

Note: All dimensions are in inches and are reference only
 Baseholes can be installed upon request

Square Base Shaft Logs

Bronze - Complete Assembly with packing box and backing plate



Part No.	Shaft size	Hose ID	Square base size	Basehole C to C	Basehole size	Packing size	Weight (pounds)
ØØSLS125G	1 1/4	2	3 1/16	2 3/8	1/4	3/16	5
ØØSLS138G	1 3/8	2 5/8	4 5/8	3 1/8	1/2	1/4	9
ØØSLS15ØG	1 1/2	2 5/8	4 5/8	3 1/8	1/2	5/16	9

Note: All dimensions are in inches and are reference only
 Packing boxes sold separately on page 30

Rectangular Base Shaft Logs

Bronze - Complete assembly with spud style packing box

Part No.	Shaft size	Hose ID	Overall length	Base width	Base length	Packing size	Weight (pounds)
ØØSLR125 ¹	1 1/4	2 1/4	8 9/16	4	6	1/4	10
ØØSLR138	1 3/8	2 1/2	10	4 1/2	7	3/16	11
ØØSLR150 ¹	1 1/2	2 1/2	10	4 1/2	7	1/4	11
ØØSLR175 ¹	1 3/4	3	10 5/8	6	8 1/4	1/2	16
ØØSLR200 ¹	2	3	10 5/8	6	8 1/4	3/8	16
ØØSLR225 ¹	2 1/4	3 1/2	10 5/8	6	10	7/16	24
ØØSLR250 ¹	2 1/2	3 1/2	10 5/8	6	10	5/16	24

Note: All dimensions are in inches and are reference only
 Baseholes can be installed upon request
¹ Available in left hand threads upon request
 Packing boxes sold separately on page 31



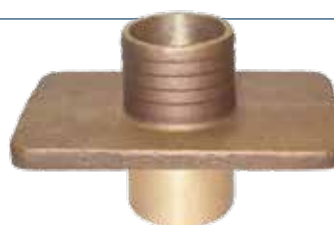
B

Rectangular Base Shaft Logs

Bronze - Log Only

Part No.	Shaft size	Hose ID	Base width	Base length	Weight (pounds)
ØØSLRL125	1 1/4	2 1/4	4	6	10
ØØSLRL138	1 3/8	2 1/2	4 1/2	7	11
ØØSLRL150	1 1/2	2 1/2	4 1/2	7	11
ØØSLRL175	1 3/4	3	6	8	16
ØØSLRL200	2	3	6	8	16
ØØSLRL225	2 1/4	3 1/2	6	10	24
ØØSLRL250	2 1/2	3 1/2	6	10	24

Note: All dimensions are in inches and are reference only
 Baseholes can be installed upon request

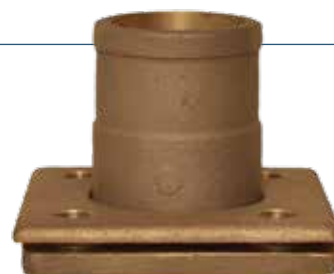


Square Base Shaft Logs

Bronze - Log Only - Complete with backing plate

Part No.	Shaft size	Hose ID	Square base size	Basehole C to C	Screw size	Weight (pounds)
ØØSLLR125G	1 1/4	2	3 1/16	2 3/8	1/4	2
ØØSLLR138G	1 3/8	2 5/8	4 5/8	3 1/8	1/2	5
ØØSLLR150G	1 1/2	2 5/8	4 5/8	3 1/8	1/2	5

Note: All dimensions are in inches and are reference only



B



Triangular Base Shaft Logs

Bronze - Complete with backing plate

Part No.	Shaft size	Hose ID	Bolthole circle	Screw size	Weight (pounds)
13009	1 3/4	2 1/4	3 3/4	5/16	2.70
13012	1 3/8	2 1/2	3 3/4	5/16	2.30
13673	2 1/2	3	4 3/4	7/16	3.35

Note: All dimensions are in inches and are reference only



10SKI1



10SKI2

Ski Boat Fin Shaft Logs

Bronze - Sold individually

Part No.	Overall height	Base width	Base length	Screw size	Weight (pounds)
10SKI1	6 7/8	3 1/2	6 3/8	3/8	4.85
10SKI2	6 1/8	2 3/8	9 1/3	No. 12	4.50

Note: All dimensions are in inches and are reference only

Wrenches

Zinc Plated Iron



Part No.	Opening size	Fits & lock nut	Overall length	Weight (pounds)
3BPBW100	1 15/16	1 and 1 1/8	8 7/8	1.30
3BPBW125	2 5/16	1 1/4	9 3/16	1.50
3BPBW150	2 9/16	1 3/8 and 1 1/2	9 1/2	1.50
3BPBW200	3 1/4	1 3/4 and 2	10 1/2	2.00
3BPBW250	3 7/8	2 1/4 and 2 1/2	15 3/4	2.80

Note: All dimensions are in inches and are reference only
Wrench only fits Hydrasearch parts



Flax Packing

Square braided flax fiber construction lubricated with tallow and wax - Sold in one (1) pound rolls

Part No.	Packing size	Feet per roll	Weight (pounds)
FLAX125LB	1/8	100	1
FLAX1875LB	3/16	50	1
FLAX250LB	1/4	28	1
FLAX3125LB	5/16	18	1
FLAX375LB	3/8	7	1
FLAX4375LB	7/16	7	1
FLAX500LB	1/2	7	1
FLAX625LB	5/8	4	1

Note: All dimensions are in inches and are reference only



Dripless Moldable Packing

Sold as a kit

Part No.	Shaft size	Weight (pounds)
SEAL150	up to 1 1/4	0.25
SEAL300	up to 3	0.40

Note: All dimensions are in inches and are reference only



Packing Extractors

Flexible handle, t-grip and cork screw tip - Sold individually

Part No.	Overall length	Weight (pounds)
PE625	9	0.05
PE725	13	0.10
PE1200	14	0.20
PE1550	16	0.50

Note: All dimensions are in inches and are reference only



Transom Exhaust

Cast bronze finish or polished stainless steel (316)



polished stainless steel

cast bronze

C

Bronze Part No.	Stainless steel Part No.	Hose size	Length under flange	Flange OD	Flange angle	Screw size	Weight (pounds)
ØØTE188	-	1 7/8	2 7/16	3 1/2	90°	1/4	1.40
ØØTE200	7ØTE200	2	2 7/16	3 5/8	90°	1/4	1.75
ØØTE250	7ØTE250	2 1/2	4 13/16	5	16 1/2°	1/4	3.00
ØØTE300	7ØTE300	3 1/16	5	5 1/4	8°	1/4	3.90
ØØTE350	-	3 1/2	3 7/8	6 1/2	8°	1/4	4.80
ØØTE400	7ØTE400	4 1/16	5 7/16	7	16°	1/4	6.10
ØØTE500	7ØTE500	5	5	7 1/2	90°	1/4	7.73
ØØTE600	7ØTE600	6	5	9 3/4	90°	1/4	11.40

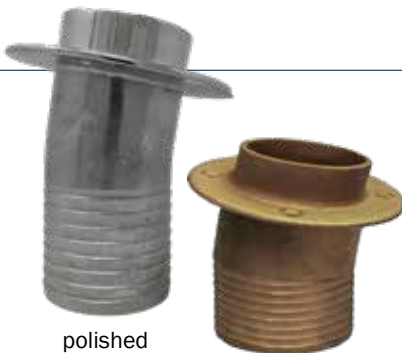
Note: All dimensions are in inches and are reference only

Stainless steel exhaust pictured has an angled flange and applies only to 7ØTE250, 7ØTE300 and 7ØTE400



Angled Shank Transom Exhaust

Cast bronze finish or polished stainless steel (316)



polished stainless steel

cast bronze

Bronze Part No.	Stainless steel Part No.	Hose size	Length under flange	Flange OD	Flange angle	Screw size	Weight (pounds)
ØØTEA400	7ØTEA400	4	6 1/2	7	9°	1/4	8.10
ØØTEA600	-	6 1/16	5 1/8	9	9°	1/4	12.60
ØØTEA800	-	8	6 1/2	11	8 1/2°	1/4	18.40

Note: All dimensions are in inches and are reference only

Transom Exhaust with Flapper

Cast bronze finish



flapper

Part No.	Hose size	Length under flange	Flange OD	Flange angle	Screw size	Weight (pounds)	Replacement Flapper Part No.
ØØTE600F	6	5	9 3/4	90°	1/4	15.80	ØØTE600FF

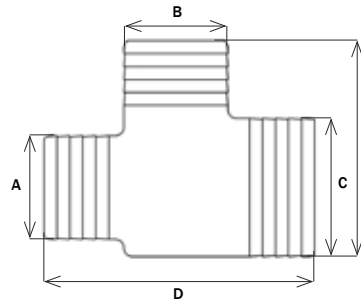
Note: All dimensions are in inches and are reference only

Exhaust Collection - Type T

Powder coated gray iron

Part No.	Hose size (A)	Hose size (B)	Hose size (C)	Overall width (D)	Overall length (E)	Weight (pounds)
40EC30400B	3	3	4	7 ¹³ / ₁₆	6 ¹ / ₄	7.50
40EC4040B	4	4	4	9	6 ¹ / ₂	8.80
40EC4050B	4 ¹ / ₃₂	4 ¹ / ₃₂	5 ¹ / ₃₂	9 ³ / ₈	7 ²⁷ / ₃₂	11.30

Note: All dimensions are in inches and are reference only



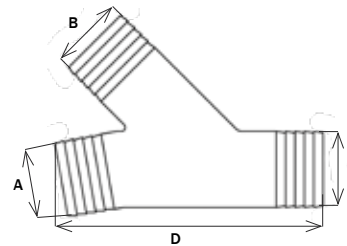
C

Exhaust Collection - Type Y

Powder coated gray iron

Part No.	Hose size (A)	Hose size (B)	Hose size (C)	Overall length (E)	Weight (pounds)
40EC300400	3	3	4	9 ¹ / ₂	7.50

Note: All dimensions are in inches and are reference only

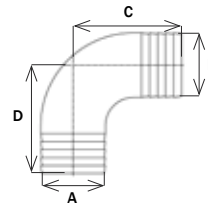


Exhaust Collection - 90° Elbow

Powder coated gray iron

Part No.	Hose size (A)	Hose size (B)	Center to end (C)	Center to end (D)	Angle	Weight (pounds)
40EE30090	3	3	4 ¹ / ₂	4 ¹ / ₂	90°	6
40EE40090	4	4	9	9	90°	14
40EE40090S	4	4	5	5	90°	7

Note: All dimensions are in inches and are reference only

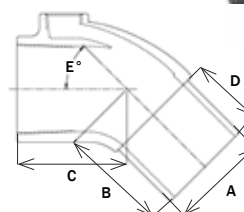


Exhaust Elbow - Water Cooled

Zinc plated malleable iron - Complete assembly with extra heavy close nipple, street elbow and Tuff-lite™ hose adapter

Part No.	Hose size (A)	Center to end (B)	Center to end (C)	Hose end length (D)	Angle	Close nipple size	Water injection hose size	Weight (pounds)
31EE200	2 ³ / ₈	3	3	2	45°	2 - 11 ¹ / ₂	⁵ / ₈	4
31EE250	3	3 ¹ / ₂	3 ¹ / ₂	2 ¹ / ₄	45°	2 ¹ / ₂ - 8	¹ / ₂	6

Note: All dimensions are in inches and are reference only



Packing Box Hoses

Heavy Duty



D

Part No.	Hose ID	Hose OD	Overall length
80H0150	1 1/2	2 1/4	4
80H0175	1 3/4	2 3/8	4 1/2
80H0200	2	2 3/4	4
80H0225	2 1/4	3	4 1/2
80H02375	2 3/8	3 1/4	5
80H0250	2 1/2	3 1/4	5
80H02625	2 5/8	3 1/8	4 1/2
80H0275	2 3/4	3 1/4	5 1/2
80H0300	3	3 3/4	5 1/2
80H0350	3 1/2	4 1/4	5 1/2
80H0400	4	4 3/4	8
80H0450	4 1/2	5 1/4	6

Note: All dimensions are in inches and are reference only

Packing Box Hoses

Heavy Duty - Sold in 12 Inch Sections



Part No.	Hose ID	Hose OD	Overall length
80H012512	1 1/4	2	12
80H015012	1 1/2	2 1/4	12
80H0162512	1 5/8	2 3/8	12
80H017512	1 3/4	2 3/8	12
80H020012	2	2 3/4	12
80H022512	2 1/4	3	12
80H0237512	2 3/8	3 1/4	12
80H025012	2 1/2	3 1/4	12
80H0262512	2 5/8	3 1/8	12
80H027512	2 3/4	3 1/4	12
80H030012	3	3 3/4	12
80H035012	3 1/2	4 1/4	12
80H040012	4	4 3/4	12
80H045012	4 1/2	5 1/4	12

Note: All dimensions are in inches and are reference only
Longer lengths are available upon request

Worm Gear Clamps

SAE-300 Series stainless steel - $\frac{1}{4}$ inch screw with a slotted hexagon head - Sold in packs of ten (10)

Part No.	Min. to max. diameter range	Part No.	Min. to max. diameter range
7ØHSS6	$\frac{7}{16}$ - $\frac{25}{32}$	7ØHSS52	$2\frac{13}{16}$ - $3\frac{3}{4}$
7ØHSS8	$\frac{1}{2}$ - $\frac{29}{32}$	7ØHSS56	$3\frac{1}{16}$ - 4
7ØHSS1Ø	$\frac{9}{16}$ - $1\frac{1}{16}$	7ØHSS6Ø	$3\frac{5}{16}$ - $4\frac{1}{4}$
7ØHSS12	$\frac{11}{16}$ - $1\frac{1}{4}$	7ØHSS64	$3\frac{9}{16}$ - $4\frac{1}{2}$
7ØHSS16	$\frac{13}{16}$ - $1\frac{1}{2}$	7ØHSS72	$4\frac{1}{8}$ - 5
7ØHSS2Ø	$\frac{13}{16}$ - $1\frac{3}{4}$	7ØHSS8Ø	$4\frac{5}{8}$ - $5\frac{1}{2}$
7ØHSS24	$1\frac{1}{16}$ - 2	7ØHSS88	$5\frac{1}{8}$ - 6
7ØHSS28	$1\frac{5}{16}$ - $2\frac{1}{4}$	7ØHSS96	$5\frac{5}{8}$ - $6\frac{1}{2}$
7ØHSS32	$1\frac{9}{16}$ - $2\frac{1}{2}$	7ØHSS1Ø4	$6\frac{1}{8}$ - 7
7ØHSS36	$1\frac{13}{16}$ - $2\frac{3}{4}$	7ØHSS128	$5\frac{5}{8}$ - $8\frac{1}{2}$
7ØHSS4Ø	$2\frac{1}{16}$ - 3	7ØHSS152	$7\frac{1}{8}$ - 10
7ØHSS44	$2\frac{5}{16}$ - $3\frac{1}{4}$	7ØHSS188	$9\frac{3}{8}$ - $12\frac{1}{4}$
7ØHSS48	$2\frac{9}{16}$ - $3\frac{1}{2}$		

Note: All dimensions are in inches and are reference only

Note: All dimensions are in inches and are reference only



D

Miniature Worm Gear Clamps

SAE-300 Series stainless steel - $\frac{1}{4}$ inch screw with a slotted hexagon head - Sold in packs of ten (10)

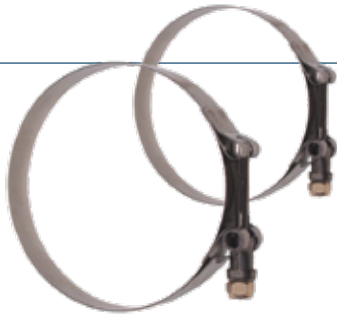
Part No.	Min. to max. diameter range
7ØMAH4	$\frac{7}{32}$ - $\frac{5}{8}$
7ØMAH6	$\frac{7}{16}$ - $\frac{25}{32}$
7ØMAH8	$\frac{1}{2}$ - $\frac{29}{32}$
7ØMAH1Ø	$\frac{9}{16}$ - $1\frac{1}{16}$
7ØMAH12	$\frac{11}{16}$ - $1\frac{1}{4}$
7ØMAH16	$\frac{13}{16}$ - $1\frac{1}{2}$
7ØMAH2Ø	$\frac{13}{16}$ - $1\frac{3}{4}$

Note: All dimensions are in inches and are reference only



T-Bolt Clamps


Stainless steel - 2 1/2 inch bolt



- 3/4 inch wide band
- band: 300 stainless steel
- T-bolt: 305 stainless steel
- nut: 18-8 stainless steel with nylon insert
- 0.025 inch band thickness

D

Part No.	Min. to max. diameter range	Part No.	Min. to max. diameter range	Part No.	Min. to max. diameter range
7ØSTBC138	1.25 - 1.40	7ØSTBC312	2.88 - 3.19	7ØSTBC600	5.75 - 6.06
7ØSTBC150	1.31 - 1.56	7ØSTBC325	3.00 - 3.31	7ØSTBC625	6.00 - 6.31
7ØSTBC175	1.56 - 1.81	7ØSTBC350	3.25 - 3.56	7ØSTBC650	6.25 - 6.56
7ØSTBC188	1.69 - 1.94	7ØSTBC362	3.38 - 3.69	7ØSTBC675	6.50 - 6.81
7ØSTBC200	1.81 - 2.06	7ØSTBC375	3.50 - 3.81	7ØSTBC700	6.75 - 7.06
7ØSTBC212	1.93 - 2.18	7ØSTBC400	3.75 - 4.06	7ØSTBC750	7.25 - 7.56
7ØSTBC225	2.06 - 2.31	7ØSTBC425	4.00 - 4.30	7ØSTBC800	7.75 - 8.06
7ØSTBC238	2.19 - 2.50	7ØSTBC450	4.25 - 4.56	7ØSTBC850	8.25 - 8.56
7ØSTBC250	2.31 - 2.62	7ØSTBC475	4.50 - 4.81	7ØSTBC900	8.75 - 9.06
7ØSTBC256	2.31 - 2.62	7ØSTBC500	4.75 - 5.06	7ØSTBC950	9.25 - 9.56
7ØSTBC263	2.37 - 2.68	7ØSTBC525	5.00 - 5.31	7ØSTBC1000	9.75 - 10.06
7ØSTBC275	2.50 - 2.81	7ØSTBC550	5.25 - 5.56	7ØSTBC1200	11.75 - 12.06
7ØSTBC288	2.63 - 2.94	7ØSTBC575	5.50 - 5.81	7ØSTBC1288	12.63 - 12.94
7ØSTBC300	2.75 - 3.06	7ØSTBC588	5.65 - 5.94	7ØSTBC1488	14.43 - 15.00

Note: All dimensions are in inches and are reference only
Torque to 60 inch-pounds
Tighten with hand tools only 


Extended T-Bolt Clamps


Stainless steel - 3 1/2 inch bolt



- 3/4 inch wide band
- band: 300 stainless steel
- T-bolt: 305 stainless steel
- nut: 18-8 stainless steel with nylon insert
- 0.025 inch band thickness

Part No.	Min. to max. diameter range	Part No.	Min. to max. diameter range
7ØSTBC325L	3.05 - 3.65	7ØSTBC875L	8.30 - 8.87
7ØSTBC350L	3.37 - 3.94	7ØSTBC888L	8.43 - 9
7ØSTBC382L	3.37 - 3.94	7ØSTBC907L	8.62 - 9.19
7ØSTBC400L	3.55 - 4.12	7ØSTBC107L	10.25 - 10.82
7ØSTBC420L	3.75 - 4.32	7ØSTBC1088	10.43 - 11
7ØSTBC432L	3.87 - 4.44	7ØSTBC117L	10.72 - 11.29
7ØSTBC450L	4.05 - 4.62	7ØSTBC126L	12.20 - 12.77
7ØSTBC482L	4.37 - 4.94	7ØSTBC1288	12.43 - 13
7ØSTBC532L	4.87 - 5.84	7ØSTBC132L	12.75 - 13.32
7ØSTBC550L	5.05 - 5.62	7ØSTBC146L	14.20 - 14.77
7ØSTBC582L	5.37 - 5.94	7ØSTBC1475	14.32 - 14.95
7ØSTBC632L	5.87 - 6.44	7ØSTBC1488	14.43 - 15
7ØSTBC675L	6.30 - 6.87	7ØSTBC152L	14.75 - 15.32
7ØSTBC707L	6.62 - 7.19	7ØSTBC168L	16.43 - 17

Note: All dimensions are in inches and are reference only
Torque to 60 inch-pounds
Tighten with hand tools only 

Note: All dimensions are in inches and are reference only
Torque to 60 inch-pounds
Tighten with hand tools only 

Zinc Plated Malleable Iron Bolt Clamps - Single Bolt

Complete assembly with machine bolt and hex nut

Part No.	Min. to max. diameter range	Part No.	Min. to max. diameter range
30N02	$\frac{7}{8}$ - 1	30N016	$2\frac{3}{8}$ - $2\frac{1}{2}$
30N03	$\frac{31}{32}$ - $1\frac{1}{8}$	30N017	$2\frac{1}{2}$ - $2\frac{5}{8}$
30N04	$1\frac{1}{16}$ - $1\frac{3}{16}$	30N018	$2\frac{5}{8}$ - $2\frac{7}{8}$
30N05	$1\frac{5}{32}$ - $1\frac{1}{4}$	30N019	$2\frac{7}{8}$ - $3\frac{1}{16}$
30N06	$1\frac{1}{4}$ - $1\frac{3}{8}$	30N020	$3\frac{1}{16}$ - $3\frac{1}{4}$
30N07	$1\frac{11}{32}$ - $1\frac{7}{16}$	30N021	$3\frac{1}{4}$ - $3\frac{7}{16}$
30N08	$1\frac{7}{16}$ - $1\frac{9}{16}$	30N022	$3\frac{7}{16}$ - $3\frac{5}{8}$
30N09	$1\frac{17}{32}$ - $1\frac{11}{16}$	30N023	$3\frac{5}{8}$ - $3\frac{13}{16}$
30N010	$1\frac{21}{32}$ - $1\frac{3}{4}$	30N024	$3\frac{13}{16}$ - $4\frac{1}{8}$
30N011	$1\frac{3}{4}$ - $1\frac{7}{8}$	30N025	$4\frac{1}{8}$ - $4\frac{5}{16}$
30N012	$1\frac{7}{8}$ - $2\frac{1}{32}$	30N026	$4\frac{1}{4}$ - $4\frac{1}{2}$
30N013	2 - $2\frac{1}{8}$	30N027	$4\frac{7}{16}$ - $4\frac{5}{8}$
30N014	$2\frac{1}{8}$ - $2\frac{9}{32}$	30N028	$4\frac{7}{8}$ - $5\frac{1}{4}$
30N015	$2\frac{1}{4}$ - $2\frac{13}{32}$		

Note: All dimensions are in inches and are reference only



D

Note: All dimensions are in inches and are reference only

Zinc Plated Malleable Iron Bolt Clamps - Double Bolt

Complete assembly with machine bolt and hex nut included

Part No.	Min. to max. diameter range
30DB400	$3\frac{1}{2}$ - $3\frac{13}{16}$
30DB463	$4\frac{1}{32}$ - $4\frac{9}{32}$
30DB525	$4\frac{1}{4}$ - $4\frac{15}{16}$
30DB550	$4\frac{1}{2}$ - $5\frac{1}{32}$
30DB600	$5\frac{1}{8}$ - $5\frac{11}{16}$
30DB675	$5\frac{15}{16}$ - $6\frac{1}{2}$
30DB769	$6\frac{1}{2}$ - $7\frac{9}{16}$
30DB818	$7\frac{11}{16}$ - $8\frac{3}{16}$
30DB875	$8\frac{1}{4}$ - $8\frac{7}{8}$
30DB988	$8\frac{15}{16}$ - $9\frac{7}{8}$
30DB1125	$9\frac{15}{16}$ - $11\frac{3}{8}$
30DB1275	$11\frac{3}{16}$ - 13
30DB1450	$13\frac{3}{16}$ - 15
30DB1700	$15\frac{1}{16}$ - $17\frac{1}{2}$

Note: All dimensions are in inches and are reference only



Pipe to Hose Adapters

Bronze - Cast with hex for easy installation



Part No.	Thread size NPT	Hose ID	Overall length	Weight (pounds)
ØØHN5Ø	1/2	1/2	2 7/32	0.13
ØØHN75	3/4	3/4	2 1/4	0.21
ØØHN1ØØ	1	1	2 5/8	0.35
ØØHN125	1 1/4	1 1/4	3	0.60
ØØHN15Ø	1 1/2	1 1/2	3 1/16	1.00
ØØHN2ØØ	2	2	3 1/16	0.94
ØØHN25Ø	2 1/2	2 1/2	3 5/8	1.80
ØØHN3ØØ	3	3	3 7/8	2.57
ØØHN4ØØ	4	4	5 11/16	5.40

Note: All dimensions are in inches and are reference only

E

Pipe to Hose Adapters - Combination

Bronze - Cast with hex for easy installation



Part No.	Thread size NPT	Hose ID	Overall length	Weight (pounds)
ØØHN5Ø5Ø62	1/2	5/8	2 1/4	0.15
ØØHN5Ø75	1/2	3/4	2 1/4	0.15
ØØHN75625	3/4	5/8	2 1/4	0.20
ØØHN751ØØ	3/4	1	2 5/8	0.40
ØØHN751125	3/4	1 1/8	2 5/8	0.35
ØØHN1ØØ113	1	1 15/32	2 3/4	0.70
ØØHN1ØØ125	1	1 1/4	2 7/16	0.70
ØØHN15Ø5	1 1/4	1 1/2	3 1/16	1.10
ØØHN15Ø175	1 1/2	1 3/4	3 1/16	1.75
ØØHN15Ø2ØØ	1 1/2	2	3 1/16	1.75
ØØHN2ØØ175	2	1 3/4	3 1/16	1.75
ØØHN25Ø3ØØ	2 1/2	3	3 7/8	3.00

Note: All dimensions are in inches and are reference only

Pipe to Hose Adapters

Stainless steel 316 - Cast with hex for easy installation

Part No.	Thread size NPT	Hose ID	Overall length	Weight (pounds)
7ØHNØ25	1/4	1/4	1 13/16	0.05
7ØHNØ37	3/8	3/8	2	0.10
7ØHNØ50	1/2	1/2	2 1/2	0.17
7ØHNØ75	3/4	3/4	2 9/16	0.30
7ØHN1Ø0	1	1	3	0.45
7ØHN125	1 1/4	1 1/4	3 1/2	0.60
7ØHN150	1 1/2	1 1/2	3 1/2	0.85
7ØHN200	2	2	4	1.35
7ØHN250	2 1/2	2 1/2	5 1/2	2.30
7ØHN300	3	3	6	2.85
7ØHN400	4	4	6 1/4	5.60



E

Note: All dimensions are in inches and are reference only

Hose to Hose Adapters

Bronze - Cast part

Part No.	Hose ID	Overall length	Weight (pounds)
ØØHH125	1 1/4	3 5/8	0.70
ØØHH150	1 1/2	4	1.10
ØØHH200	2	4 1/2	1.80



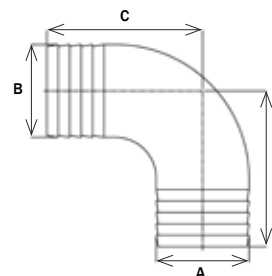
Note: All dimensions are in inches and are reference only

Hose to Hose Adapters - 90°

Bronze - Cast part

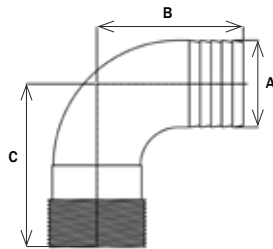
Part No.	Hose ID (A)	Hose ID (B)	Center to end (C)	Center to end (D)	Weight (pounds)
ØØHH75625E	3/4	5/8	1 7/8	1 15/16	0.23
ØØHH150E	1 1/2	1 1/2	3 1/4	3 1/4	1.10

Note: All dimensions are in inches and are reference only



Pipe to Hose Adapters - 90°

Bronze - Cast with hex for easy installation



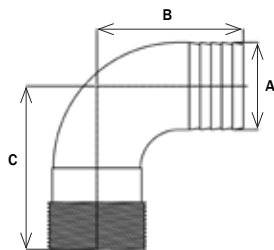
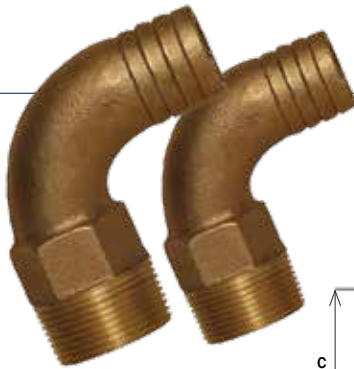
Part No.	Thread size NPT	Hose ID (A)	Center to end (B)	Center to end (C)	Weight (pounds)
ØØHN5ØE	1/2	1/2	2 1/4	2 1/8	0.25
ØØHN75E	3/4	3/4	2 1/8	2 7/16	0.35
ØØHN1ØØE	1	1	2 1/4	2 5/8	0.60
ØØHN1ØØECC	1	1	1 7/8	1 3/4	0.70
ØØHN125E	1 1/4	1 1/4	2 5/8	3	0.90
ØØHN15ØE	1 1/2	1 1/2	3 1/8	3 3/8	1.25
ØØHN2ØØE	2	2	3 13/16	3 13/16	2.70
ØØHN25ØE	2 1/2	2 1/2	4 1/8	4 3/8	4.80
ØØHN3ØØE	3	3	4 1/8	4 9/16	8.00
ØØHN4ØØE	4	4	7 3/32	6 29/32	18.00

Note: All dimensions are in inches and are reference only

E

Pipe to Hose Adapters - 90° - Combination

Bronze - Cast with hex for easy installation

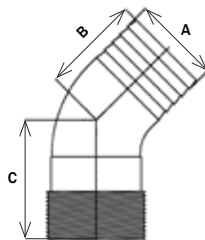


Part No.	Thread size NPT	Hose ID (A)	Center to end (B)	Center to end (C)	Weight (pounds)
ØØHN5Ø75E	1/2	3/4	2 1/8	1 3/4	0.30
ØØHN5Ø562E	1/2	5/8	2 3/8	2 1/4	0.30
ØØHN1ØØ125E	1	1 1/4	3	3	0.75
ØØHN1ØØ125ES	1	1 1/4	2 1/8	2 1/4	0.75

Note: All dimensions are in inches and are reference only

Pipe to Hose Adapters - 45°

Bronze - Cast with hex for easy installation



Part No.	Thread size NPT	Hose ID (A)	Center to end (B)	Center to end (C)	Weight (pounds)
ØØHN2ØØ45E	2	2	2 1/2	2 1/2	2.20
ØØHN25Ø45E	2 1/2	2 1/2	2 7/8	2 7/8	4.00

Note: All dimensions are in inches and are reference only

Inserts

Brass

Male Part No.	Female Part No.	Hose ID	Thread size NPT	Male Part No.	Female Part No.	Hose ID	Thread size NPT
ØØBN11	ØØBF11	1/8	1/8	ØØBN34	-	3/8	1/2
ØØBN151	-	3/16	1/8	ØØBN42	-	1/2	1/4
ØØBN152	-	3/16	1/4	ØØBN43	ØØBF43	1/2	3/8
ØØBN21	ØØBF21	1/4	1/8	ØØBN44	ØØBF44	1/2	1/2
ØØBN22	ØØBF22	1/4	1/4	ØØBN46	-	1/2	3/4
ØØBN23	-	1/4	3/8	ØØBN53	-	5/8	3/8
ØØBN251	ØØBF251	5/16	1/8	ØØBN54	-	5/8	1/2
ØØBN252	ØØBF252	5/16	1/4	ØØBN56	-	5/8	3/4
ØØBN253	-	5/16	3/8	ØØBN64	-	3/4	1/2
ØØBN31	ØØBF31	3/8	1/8	ØØBN66	-	3/4	3/4
ØØBN32	ØØBF32	3/8	1/4	ØØBN86	-	1	3/4
ØØBN33	ØØBF33	3/8	3/8	ØØBN88	-	1	1

Note: All dimensions are in inches and are reference only

Note: All dimensions are in inches and are reference only



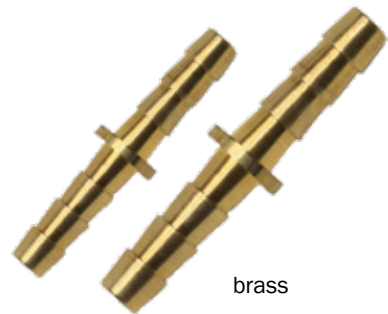
Hose Menders

Brass and stainless steel

Brass Part No.	Hose ID	Stainless steel Part No.	Hose ID
ØØBM15	3/16	7ØRDM6	3/4
ØØBM2	1/4	7ØRDM11	1
ØØBM25	5/16	7ØRDM16	1 1/4
ØØBM3	3/8	7ØRDM21	1 1/2
ØØBM4	1/2	7ØRDM26	2
ØØBM6	3/4	7ØRDM36	3
ØØBM8	1	7ØRDM46	4

Note: All dimensions are in inches and are reference only

Note: All dimensions are in inches and are reference only



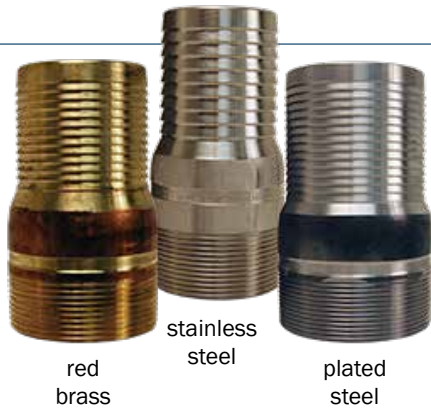
brass



stainless steel

King™ Combination Nipples

Available in plated steel, stainless steel, red brass and aluminum



red brass

stainless steel

plated steel

Plated Steel Part No.	Stainless Steel Part No.	Aluminum Part No.	Red Brass Part No.	Hose ID	Thread size NPT
BBSTC1	7ØRST1	2ØAST1	ØØBST1	1/2	1/2
BBSTC5	7ØRST5	2ØAST5	ØØBST5	3/4	3/4
BBSTC1Ø	7ØRST1Ø	2ØAST1Ø	ØØBST1Ø	1	1
BBSTC15	7ØRST15	2ØAST15	ØØBST15	1 1/4	1 1/4
BBSTC2Ø	7ØRST2Ø	2ØAST2Ø	ØØBST2Ø	1 1/2	1 1/2
BBSTC25	7ØRST25	2ØAST25	ØØBST25	2	2
BBSTC3Ø	7ØRST3Ø	2ØAST3Ø	ØØBST3Ø	2 1/2	2 1/2
BBSTC35	7ØRST35	2ØAST35	ØØBST35	3	3
BBSTC4Ø	7ØRST4Ø	2ØAST4Ø	ØØBST4Ø	4	4
BBSTC5Ø	7ØRST5Ø	2ØAST5Ø	-	5	5
BBSTC6Ø	7ØRST6Ø	2ØAST6Ø	-	6	6
BBSTC8Ø	7ØRST8Ø	-	-	8	8
BBSTC1ØØ	-	-	-	10	10
BBSTC12Ø	-	-	-	12	12

Note: All dimensions are in inches and are reference only

E



brass

Close Nipples

Brass or Stainless Steel

Brass Part No.	Stainless Steel Part No.	Thread size NPT	Overall length	Pipe OD	Pipe ID	Wall thickness	Weight (pounds)
ØØØ11CN	7ØØ11CN	1/8	3/4	0.405	0.281	0.062	0.05
ØØØ25CN	7ØØ25CN	1/4	7/8	0.540	0.376	0.082	0.05
ØØØ37CN	7ØØ37CN	3/8	1	0.675	0.495	0.090	0.05
ØØØ5ØCN	7ØØ5ØCN	1/2	1 1/8	0.840	0.626	0.107	0.05
ØØØ75CN	7ØØ75CN	3/4	1 3/8	1.050	0.822	0.114	0.10
ØØ1ØØCN	7Ø1ØØCN	1	1 1/2	1.315	1.063	0.126	0.15
ØØ125CN	7Ø125CN	1 1/4	1 5/8	1.660	1.368	0.146	0.25
ØØ15ØCN	7Ø15ØCN	1 1/2	1 3/4	1.900	1.600	0.150	0.35
ØØ2ØØCN	7Ø2ØØCN	2	2	2.375	2.063	0.156	0.55
ØØ25ØCN	7Ø25ØCN	2 1/2	2 1/2	2.875	2.501	0.187	0.90
ØØ3ØØCN	7Ø3ØØCN	3	2 5/8	3.500	3.062	0.219	1.35
ØØ4ØØCN	7Ø4ØØCN	4	2 7/8	4.500	4.000	0.250	2.25

Note: All dimensions are in inches and are reference only

Long Nipples

Brass or Stainless Steel

Brass Part No.	Stainless Steel Part No.	Thread size NPT	Overall length	Pipe OD	Pipe ID	Wall thickness	Weight (pounds)
00025X02LN	-	1/4	2	0.540	0.376	0.082	0.05
00025X03LN	-	1/4	3	0.540	0.376	0.082	0.10
00025X04LN	-	1/4	4	0.540	0.376	0.082	0.15
00025X05LN	-	1/4	5	0.540	0.376	0.082	0.20
00025X12LN	-	1/4	12	0.540	0.376	0.082	0.45
00050X03LN	-	1/2	3	0.840	0.626	0.107	0.20
00050X05LN	-	1/2	5	0.840	0.626	0.107	0.35
00050X06LN	-	1/2	6	0.840	0.626	0.107	0.40
00075X02LN	-	3/4	2	1.050	0.822	0.114	0.10
00075X25LN	-	3/4	2 1/2	1.050	0.822	0.114	0.20
00075X04LN	-	3/4	4	1.050	0.822	0.114	0.35
00075X06LN	-	3/4	6	1.050	0.822	0.114	0.55
00100X02LN	-	1	2	1.315	1.063	0.126	0.25
00100X04LN	-	1	4	1.315	1.063	0.126	0.50
-	70100X06LN	1	6	1.315	1.063	0.126	0.95
00125X04LN	-	1 1/4	4	1.660	1.368	0.146	0.80
-	70125X06LN	1 1/4	6	1.660	1.368	0.146	0.90
-	70150X03LN	1 1/2	3	1.900	1.600	0.150	1.00
-	70150X0350LN	1 1/2	3 1/2	1.900	1.600	0.150	1.05
00150X04LN	70150X04LN	1 1/2	4	1.900	1.600	0.150	0.95
00150X06LN	70150X06LN	1 1/2	6	1.900	1.600	0.150	1.45
00150X12LN	-	1 1/2	12	1.900	1.600	0.150	2.90
00200X03LN	70200X03LN	2	3	2.375	2.063	0.156	0.90
00200X04LN	70200X04LN	2	4	2.375	2.063	0.156	1.25
00200X06LN	70200X06LN	2	6	2.375	2.063	0.156	1.90
00200X12LN	-	2	12	2.375	2.063	0.156	3.80
0025X03LN	-	2 1/2	3	2.875	2.501	0.187	1.15
0025X04LN	70250X04LN	4	4	2.875	2.501	0.187	1.90
0025X06LN	70250X06LN	2 1/2	6	2.875	2.501	0.187	2.60
00300X06LN	-	3	6	3.500	3.062	0.219	3.90
00400X06LN	-	4	6	4.500	4.000	0.250	5.60

Note: All dimensions are in inches and are reference only

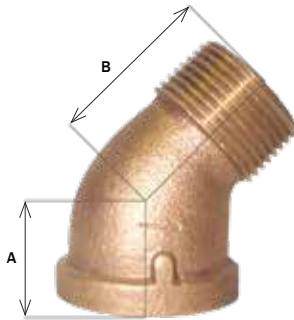


brass

E

Street Elbows - 45°

Bronze



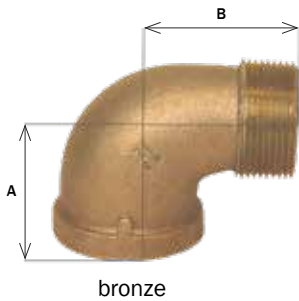
Bronze Part No.	Thread size NPT	Center to end (A)	Center to end (B)	Weight (pounds)
ØØ1Ø3HØ11	1/8	1/4	7/16	0.05
ØØ1Ø3HØ25	1/4	11/32	9/16	0.10
ØØ1Ø3HØ37	3/8	3/8	5/8	0.10
ØØ1Ø3HØ5Ø	1/2	29/64	51/64	0.15
ØØ1Ø3HØ75	3/4	1/2	9/32	0.30
ØØ1Ø3H1ØØ	1	39/64	1 5/64	0.50
ØØ1Ø3H125	1 1/4	43/64	1 1/4	0.75
ØØ1Ø3H15Ø	1 1/2	45/64	1 5/16	1.00
ØØ1Ø3H2ØØ	2	3/4	1 15/32	2.05

Note: All dimensions are in inches and are reference only

E

Street Elbows - 90°

Bronze or Stainless Steel



bronze



stainless steel

Bronze Part No.	Thread size NPT	Center to end (A)	Center to end (B)	Weight (pounds)	Stainless Steel Part No.	Thread size NPT	Center to end (A)	Center to end (B)	Weight (pounds)
ØØ1Ø3Ø11	1/8	35/64	59/64	0.05	7ØSEØ12	1/8	3/4	1	0.05
ØØ1Ø3Ø25	1/4	23/32	1 7/64	0.10	7ØSEØ25	1/4	7/8	1 1/4	0.10
ØØ1Ø3Ø37	3/8	53/64	1 1/4	0.15	7ØSEØ37	3/8	1	1 5/8	0.15
ØØ1Ø3Ø5Ø	1/2	1 1/32	1 1/2	0.20	7ØSEØ5Ø	1/2	1 1/4	1 3/4	0.20
ØØ1Ø3Ø75	3/4	1 3/16	1 21/32	0.35	7ØSEØ75	3/4	1 3/8	1 7/8	0.35
ØØ1Ø31ØØ	1	1 7/16	1 63/64	0.65	7ØSE1ØØ	1	1 3/8	2	0.55
ØØ1Ø3125	1 1/4	1 23/32	2 1/4	1.10	7ØSE125	1 1/4	1 3/4	2 1/2	0.85
ØØ1Ø315Ø	1 1/2	1 7/8	2 29/64	1.15	7ØSE15Ø	1 1/2	1 7/8	2 5/8	1.05
ØØ1Ø32ØØ	2	2 9/64	2 63/64	2.10	7ØSE2ØØ	2	2 1/2	3 1/4	1.70
ØØ1Ø325Ø	2 1/2	2 3/4	3 59/64	3.80	7ØSE25Ø	2 1/2	3 1/2	2 3/4	3.95
ØØ1Ø33ØØ	3	3 7/64	4 29/64	6.40	7ØSE3ØØ	3	3 7/8	3	4.05
ØØ1Ø34ØØ	4	4	6	11.95	7ØSE4ØØ	4	4	5 1/4	6.90

Note: All dimensions are in inches and are reference only

Note: All dimensions are in inches and are reference only

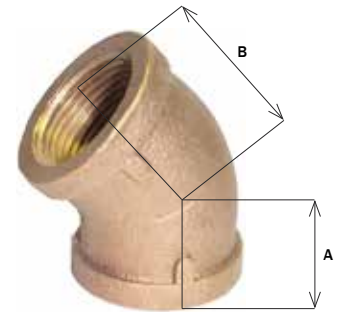
Elbows - 45°

Bronze or Stainless Steel

Bronze Part No.	Thread size NPT	Center to end (A)	Center to end (B)	Weight (pounds)	Stainless Steel Part No.	Thread size NPT	Center to end (A)	Center to end (B)	Weight (pounds)
00102011	1/8	7/16	7/16	0.05	70EFF01245	1/8	3/4	3/4	0.05
00102025	1/4	35/64	35/64	0.10	70EFF02545	1/4	3/4	3/4	0.05
00102037	3/8	5/8	5/8	0.10	70EFF03745	3/8	3/4	3/4	0.10
00102050	1/2	51/64	51/64	0.20	70EFF05045	1/2	3/4	3/4	0.25
00102075	3/4	29/32	29/32	0.35	70EFF07545	3/4	7/8	7/8	0.35
00102100	1	1 5/64	1 5/64	0.55	70EFF10045	1	1	1	0.50
00102125	1 1/4	1 1/4	1 1/4	0.90	70EFF12545	1 1/4	1 1/4	1 1/4	0.65
00102150	1 1/2	1 5/16	1 5/16	1.10	70EFF15045	1 1/2	1 3/8	1 3/8	0.90
00102200	2	1 15/32	1 15/32	1.55	70EFF20045	2	1 1/2	1 1/2	1.30
00102250	2 1/2	2	2	3.30	70EFF25045	2 1/2	1 5/8	1 5/8	2.50
00102300	3	2 1/4	2 1/4	4.90	70EFF30045	3	2 1/8	2 1/8	2.55
00102400	4	2 1/2	2 1/2	8.00	70EFF40045	4	2 1/2	2 1/2	4.40

Note: All dimensions are in inches and are reference only

Note: All dimensions are in inches and are reference only



bronze



stainless steel



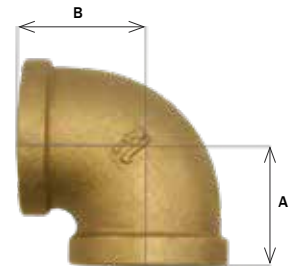
Elbows - 90°

Bronze or Stainless Steel

Bronze Part No.	Thread size NPT	Center to end (A)	Center to end (B)	Weight (pounds)	Stainless Steel Part No.	Thread size NPT	Center to end (A)	Center to end (B)	Weight (pounds)
00101011	1/8	35/64	35/64	0.10	70EFF01290	1/8	5/8	5/8	0.05
00101025	1/4	23/32	23/32	0.10	70EFF02590	1/4	7/8	7/8	0.10
00101037	3/8	53/64	53/64	0.15	70EFF03790	3/8	1	1	0.15
00101050	1/2	1 1/32	1 1/32	0.25	70EFF05090	1/2	1 1/8	1 1/8	0.25
00101075	3/4	1 3/16	1 3/16	0.35	70EFF07590	3/4	1 1/4	1 1/4	0.30
00101100	1	1 7/16	1 7/16	0.60	70EFF10090	1	1 5/8	1 5/8	0.50
00101125	1 1/4	1 23/32	1 23/32	0.95	70EFF12590	1 1/4	1 3/4	1 3/4	0.75
00101150	1 1/2	1 7/8	1 7/8	1.35	70EFF15090	1 1/2	2 1/4	2 1/4	1.30
00101200	2	2 9/64	2 9/64	2.35	70EFF20090	2	2 1/4	2 1/4	1.30
00101250	2 1/2	2 3/4	2 3/4	3.80	70EFF25090	2 1/2	2 3/4	2 3/4	3.00
00101300	3	3 7/64	3 7/64	5.20	70EFF30090	3	3 1/4	3 1/4	3.30
					70EFF40090	4	3 3/4	3 3/4	6.55

Note: All dimensions are in inches and are reference only

Note: All dimensions are in inches and are reference only



bronze



stainless steel

Couplings

Bronze or Stainless Steel



bronze

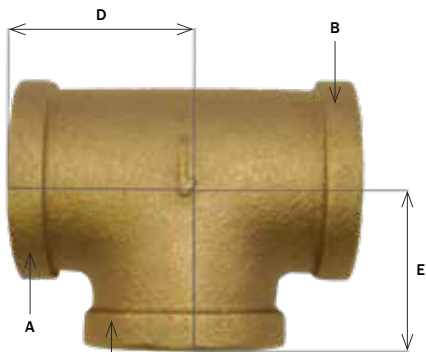
Bronze Part No.	Stainless Steel Part No.	Thread size NPT	Overall length	Weight (pounds)
001111011	701111011	1/8	51/64	0.05
001111025	701111025	1/4	51/64	0.10
001111037	-	3/8	1 3/64	0.15
001111050	701111050	1/2	1 19/64	0.20
001111075	701111075	3/4	1 7/16	0.30
001111100	701111100	1	1 11/16	0.45
001111125	-	1 1/4	1 7/8	0.80
001111150	701111150	1 1/2	1 59/64	1.00
001111200	701111200	2	2 13/64	1.55
-	701111250	2 1/2	3	1.35
001111300	701111300	3	3 3/16	2.00

Note: All dimensions are in inches and are reference only

E

Tees

Bronze or Stainless Steel



bronze

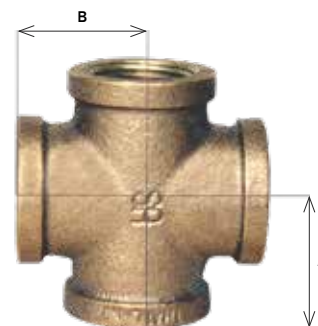
Bronze Part No.	Stainless Steel Part No.	Thread size NPT (A)	Thread size NPT (B)	Thread size NPT (C)	Center to end (D)	Center to end (E)	Weight (pounds)
00106011T	70106011T	1/8	1/8	1/8	35/64	35/64	0.10
00106025T	70106025T	1/4	1/4	1/4	23/32	23/32	0.15
00106037T	70106037T	3/8	3/8	3/8	53/64	53/64	0.25
00106050T	70106050T	1/2	1/2	1/2	1 1/32	1 1/32	0.30
00106075T	70106075T	3/4	3/4	3/4	31/64	31/64	0.50
00106100T	70106100T	1	1	1	27/32	27/32	0.85
00106125T	70106125T	1 1/4	1 1/4	1 1/4	1 3/16	1 3/16	1.20
00106150T	70106150T	1 1/2	1 1/2	1 1/2	1 7/8	1 7/8	1.70
00106200T	70106200T	2	2	2	2 9/64	2 9/64	2.70
001062015T	-	2	2	1 1/2	1 7/8	2 1/8	2.50
00106252520T	-	2 1/2	2 1/2	2	2 3/8	2 5/8	4.25
00106250T	70106250T	2 1/2	2 1/2	2 1/2	2 3/4	2 3/4	5.28
00106300T	70106300T	3	3	3	3 7/64	3 7/64	6.70
00106400T	70106400T	4	4	4	4	4	8.00

Note: All dimensions are in inches and are reference only

Crosses

Bronze or Stainless Steel

Bronze Part No.	Stainless Steel Part No.	Thread size NPT	Center to end (A)	Center to end (B)	Weight (pounds)
00110011	70110011	1/8	5/8	5/8	0.15
00110025	70110025	1/4	23/32	23/32	0.20
00110037	70110037	3/8	53/64	53/64	0.30
00110050	70110050	1/2	1 1/32	1 1/32	0.40
00110075	70110075	3/4	1 3/16	1 3/16	0.60
00110100	70110100	1	1 3/16	1 3/16	1.15
00110125	70110125	1 1/4	1 23/32	1 23/32	1.70
00110150	70110150	1 1/2	1 7/8	1 7/8	2.00
00110200	70110200	2	2 9/64	2 9/64	2.50



Note: All dimensions are in inches and are reference only

E

Coupling Reducers

Bronze or Stainless Steel

Bronze Part No.	Stainless Steel Part No.	Thread size NPT	Overall length	Weight (pounds)
00112011	701120250115	1/4 x 1/8	7/8	0.10
00112025	70112037025	3/8 x 1/4	59/64	0.10
00112037	70112050037	1/2 x 3/8	1 11/64	0.15
00112050	70112075050	3/4 x 1/2	1 23/64	0.25
00112075	70112100075	1 x 3/4	1 9/16	0.45
00112100	70112125100	1 1/4 x 1	1 49/64	0.65
00112125	70112150125	1 1/2 x 1 1/4	1 51/64	0.85
00112200125	-	2 x 1 1/4	2 1/32	1.35
00112150	70112200150	2 x 1 1/2	2 1/32	1.75
00112200	70112250200	2 1/2 x 2	3 5/32	2.35
00112300200	70112300200	3 x 2	3 45/64	2.40
00112300250	70112300250	3 x 2 1/2	3 45/64	3.80
00112400200	70112400200	4 x 2	4 3/8	5.35
00112300	70112400300	4 x 3	4 3/8	6.10

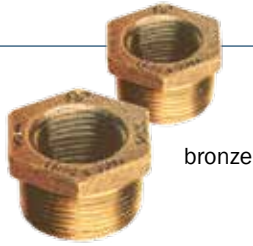


bronze

Note: All dimensions are in inches and are reference only

Hex Bushings

Bronze or Stainless Steel



bronze

E

Bronze Part No.	Stainless Steel Part No.	Thread size NPT	Overall length	Weight (pounds)	Bronze Part No.	Stainless Steel Part No.	Thread size NPT	Overall length	Weight (pounds)
00114025011	70114025011	1/4 x 1/8	37/64	0.05	00114150037	70114150037	1 1/2 x 3/8	1 23/64	0.45
00114037011	70114037011	3/8 x 1/8	41/64	0.05	00114150050	70114150050	1 1/2 x 1/2	1 13/64	0.50
00114037025	70114037025	3/8 x 1/4	41/64	0.05	00114150075	70114150075	1 1/2 x 3/4	1 13/64	0.50
00114050011	70114050011	1/2 x 1/8	3/4	0.10	00114150100	70114150100	1 1/2 x 1	1 9/64	0.60
00114050025	70114050025	1/2 x 1/4	3/4	0.10	00114150125	70114150125	1 1/2 x 1 1/4	1 9/64	0.40
00114050037	70114050037	1/2 x 3/8	3/4	0.10	00114200025	70114200025	2 x 1/4	1 17/64	1.15
00114075011	70114075011	3/4 x 1/8	7/8	0.15	00114200050	70114200050	2 x 1/2	1 17/64	1.10
00114075025	70114075025	3/4 x 1/4	55/64	0.15	00114200075	70114200075	2 x 3/4	1 17/64	0.75
00114075037	70114075037	3/4 x 3/8	55/64	0.15	00114200100	70114200100	2 x 1	1 19/64	0.90
00114075050	70114075050	3/4 x 1/2	55/64	0.15	00114200125	70114200125	2 x 1 1/4	1 7/32	1.00
00114100025	70114100025	1 x 1/4	1 3/64	0.30	00114200150	70114200150	2 x 1 1/2	1 7/32	0.75
00114100037	70114100037	1 x 3/8	1 3/64	0.25	00114250100	70114250100	2 1/2 x 1	1 17/32	1.20
00114100050	70114100050	1 x 1/2	1	0.25	00114250150	70114250150	2 1/2 x 1 1/2	1 1/2	1.15
00114100075	70114100075	1 x 3/4	1	0.25	00114250200	70114250200	2 1/2 x 2	1 7/16	1.10
00114125025	70114125025	1 1/4 x 1/4	1 7/32	0.35	00114300150	70114300150	3 x 1 1/2	1 39/64	2.45
00114125037	70114125037	1 1/4 x 3/8	1 3/32	0.30	00114300200	70114300200	3 x 2	1 39/64	1.80
00114125050	70114125050	1 1/4 x 1/2	1 9/64	0.50	00114300250	70114300250	3 x 2 1/2	1 17/32	2.10
00114125075	70114125075	1 1/4 x 3/4	1 5/64	0.45	00114400200	70114400200	4 x 2	1 3/4	2.90
00114125100	70114125100	1 1/4 x 1	1 5/64	0.35	00114400300	70114400300	4 x 3	1 7/8	3.60
00114150025	70114150025	1 1/2 x 1/4	1 3/32	0.30					

Note: All dimensions are in inches and are reference only

Note: All dimensions are in inches and are reference only

Vented Loops

Bronze - Complete assembly with joker valve included



ØØVL150



ØØVL75



6ØVL150J



6ØVL75CV

Part No.	Hose ID	Overall height	Overall width	Weight (pounds)	Replacement Joker Valve Part No.
ØØVL75	3/4	2 1/2	2 5/16	0.40	6ØVL75CV
ØØVL150	1 1/2	6 15/32	7 1/8	2.75	6ØVL150J

Note: All dimensions are in inches and are reference only

Plugs - Square Head

Bronze - Solid or Cored

Solid Part No.	Thread size NPT	Overall length	Weight (pounds)	Cored Part No.	Thread size NPT	Overall length	Weight (pounds)
ØØ117AØ11	1/8	1/2	0.05	ØØ117Ø5Ø	1/2	59/64	0.05
ØØ117AØ25	1/4	11/16	0.05	ØØ117Ø75	3/4	1	0.10
ØØ117AØ37	3/8	23/32	0.10	ØØ1171ØØ	1	1 3/16	0.15
ØØ117AØ5Ø	1/2	59/64	0.10	ØØ117125	1 1/4	1 1/4	0.20
ØØ117AØ75	3/4	1	0.15	ØØ11715Ø	1 1/2	1 11/32	0.30
ØØ117A1ØØ	1	1 3/16	0.25				
ØØ117A125	1 1/4	1 1/4	0.40				
ØØ117A15Ø	1 1/2	1 23/64	0.50				
ØØ117A2ØØ	2	1 7/16	0.80				

Note: All dimensions are in inches and are reference only
Stainless steel available upon request



solid



cored

Note: All dimensions are in inches and are reference only
Stainless steel available upon request

E

Tuff-Lite™ Plugs - Square Head

Nylon

Part No.	Thread size NPT	Overall length
6ØTPS1	1/8	5/8
6ØTPS2	1/4	3/4
6ØTPS3	3/8	3/4
6ØTPS4	1/2	7/8
6ØTPS6	3/4	1
6ØTPS8	1	1 1/8
6ØTPS1Ø	1 1/4	1 1/4

Note: All dimensions are in inches and are reference only



Tuff-Lite™ Short Shank Coupling

Nylon - Female and Male

Part No.	Type	Hose shank	Thread size	Weight (pounds)
6ØTCF74	female	1/2	3/4 GHT	0.025
6ØTCF75	female	5/8	3/4 GHT	0.030
6ØTCF76	female	3/4	3/4 GHT	0.030
6ØTCM76	male	3/4	3/4 GHT	0.023

Note: All dimensions are in inches and are reference only
Stainless steel available upon request



female



male

Tuff-Lite™ Hose Adapters

Nylon - Hexed for easy installation



Part No.	Pipe size NPT	Hose ID	Overall length
6ØTN22	1/4	1/4	1 3/4
6ØTN33	3/8	3/8	1 3/4
6ØTN44	1/2	1/2	1 3/4
6ØTN66	3/4	3/4	2

Note: All dimensions are in inches and are reference only

Part No.	Pipe size NPT	Hose ID	Overall length
6ØTN88	1	1	2
6ØTN15Ø	1 1/4	1 1/4	2 3/4
6ØTN2ØØ	1 1/2	1 1/2	2 3/4
6ØTN25Ø	2	2	4 1/4

Note: All dimensions are in inches and are reference only

E



Tuff-Lite™ Hose Adapters - Combination

Nylon - Hexed for easy installation

Part No.	Pipe size NPT	Hose ID	Overall length
6ØTN21	1/8	1/4	1 5/8
6ØTN23	3/8	1/4	1 3/4
6ØTN24	1/2	1/4	1 3/4
6ØTN26	3/4	1/4	1 7/8
6ØTN28	1	1/4	1 7/8
6ØTN252	1/4	5/16	1 7/8
6ØTN31	1/8	3/8	1 3/4
6ØTN32	1/4	3/8	1 3/4
6ØTN34	1/2	3/8	1 7/8
6ØTN36	3/4	3/8	1 7/8
6ØTN41	1/8	1/2	1 3/4
6ØTN42	1/4	1/2	1 3/4

Note: All dimensions are in inches and are reference only

Part No.	Pipe size NPT	Hose ID	Overall length
6ØTN43	3/8	1/2	1 3/4
6ØTN46	3/4	1/2	1 7/8
6ØTN53	3/8	5/8	1 3/4
6ØTN54	1/2	5/8	1 3/4
6ØTN56	3/4	5/8	1 7/8
6ØTN63	3/8	3/4	1 3/4
6ØTN64	1/2	3/4	1 7/8
6ØTN68	1	3/4	1 7/8
6ØTN86	3/4	1	2
6ØTN158	1	1 1/4	2 3/8
6ØTN152Ø	1 1/2	1 1/4	2 3/4
6ØTN2Ø15	1 1/4	1 1/2	2 5/8

Note: All dimensions are in inches and are reference only

Tuff-Lite™ Tees

Nylon



Hose Run × Male NPT Branch Tee



Hose Run × Hose Branch Tee

Hose Run × Male NPT Branch Tee Part No.	Hose ID
6ØTSSS222	1/4 × 1/4 × 1/4
6ØTSSS333	3/8 × 3/8 × 3/8
6ØTSSS444	1/2 × 1/2 × 1/2
6ØTSSS666	3/4 × 3/4 × 3/4

Note: All dimensions are in inches and are reference only

Hose Run × Hose Branch Tee Part No.	Hose ID
6ØTSST222	1/4 × 1/4 × 1/4
6ØTSST333	3/8 × 3/8 × 3/8
6ØTSST444	1/2 × 1/2 × 1/2
6ØTSST666	3/4 × 3/4 × 3/4

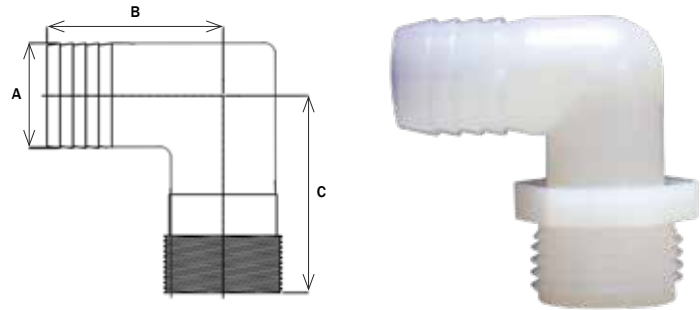
Note: All dimensions are in inches and are reference only

Tuff-Lite™ Elbows - 90°

Nylon - Hexed for easy installation

Part No.	Pipe size NPT	Hose ID (A)	Center to end (B)	Center to end (C)
6ØTLS22	1/4	1/4	1 1/4	1 1/4
6ØTLS33	3/8	3/8	1 1/4	1 3/8
6ØTLS44	1/2	1/2	1 1/4	1 1/2
6ØTLS66	3/4	3/4	1 3/8	1 3/4
6ØTLS88	1	1	1 3/4	1 7/8

Note: All dimensions are in inches and are reference only

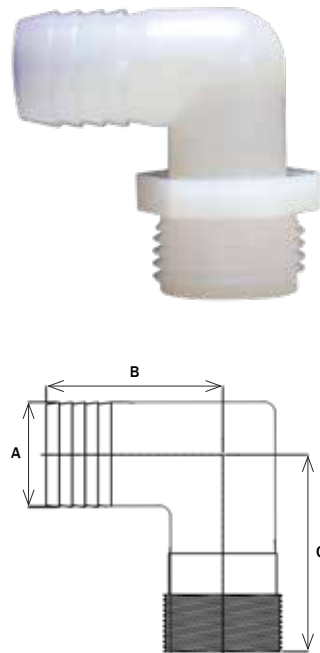


Tuff-Lite™ Elbows - 90° - Combination

Nylon - Hexed for easy installation

Part No.	Pipe size NPT	Hose ID (A)	Center to end (B)	Center to end (C)
6ØTLS21	1/8	1/4	1 1/4	1 1/8
6ØTLS23	3/8	1/4	1 1/4	1 1/4
6ØTLS31	1/8	3/8	1 1/4	1 1/4
6ØTLS32	1/4	3/8	1 1/4	1 1/4
6ØTLS34	1/2	3/8	1 1/8	1 3/8
6ØTLS36	3/4	3/8	1 1/8	1 3/8
6ØTLS42	1/4	1/2	1 1/4	1 1/4
6ØTLS43	3/8	1/2	1 1/4	1 1/2
6ØTLS46	3/4	1/2	1 1/4	1 5/8
6ØTLS48	1/8	1/2	1 1/4	1 1/2
6ØTLS53	3/8	5/8	1 1/4	1 5/8
6ØTLS54	1/2	5/8	1 1/4	1 3/4
6ØTLS56	3/4	5/8	1 3/8	1 3/4
6ØTLS58	1	5/8	1 1/4	1 3/4
6ØTLS63	3/8	3/4	1 3/8	1 5/8
6ØTLS64	1/2	3/4	1 1/4	1 5/8
6ØTLS68	1	3/4	1 3/8	1 3/4
6ØTLS86	3/4	1	1 3/4	1 3/4

Note: All dimensions are in inches and are reference only



Tuff-Lite™ Hose Menders

Nylon



Part No.	Thread size NPT	Overall length
6ØTM2	1/4	2 1/4
6ØTM25	5/16	2 1/4
6ØTM3	3/8	2 1/4
6ØTM4	1/2	2 3/8
6ØTM5	5/8	2 3/8

Note: All dimensions are in inches and are reference only

Part No.	Thread size NPT	Overall length
6ØTM6	3/4	2 3/8
6ØTM8	1	2 1/4
6ØTM16	1 1/4	3
6ØTM21	1 1/2	3 1/2
6ØTM26	2	4 5/8

Note: All dimensions are in inches and are reference only

E

Tuff-Lite™ Close Nipples

Nylon



Part No.	Thread size NPT
6ØTCN202	1/4
6ØTCN303	3/8
6ØTCN404	1/2
6ØTCN606	3/4

Note: All dimensions are in inches and are reference only

Tuff-Lite™ Male GHT to Female NPT Adapters

Nylon



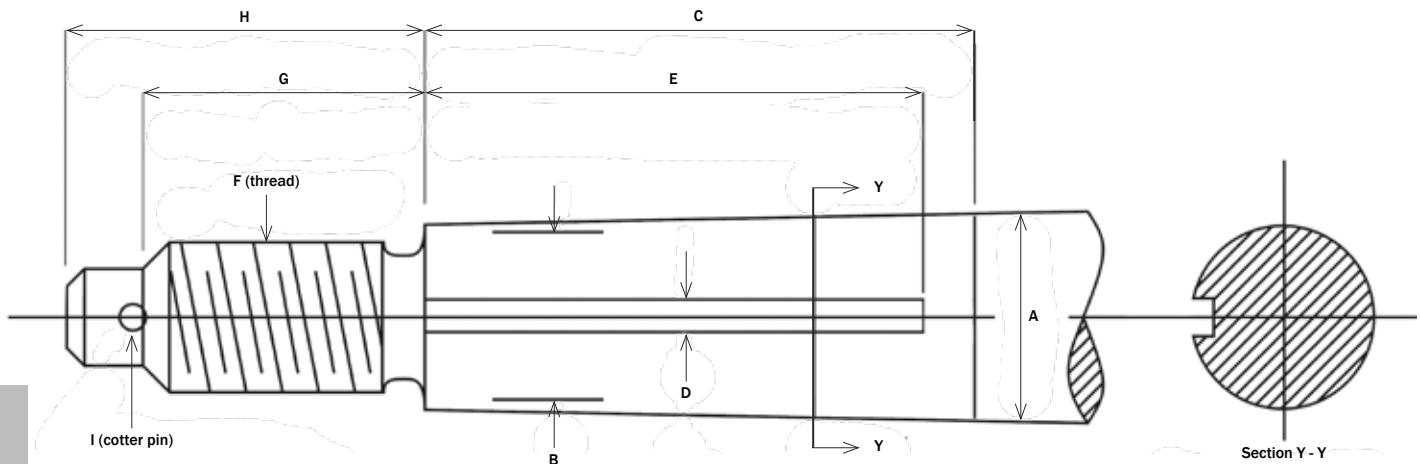
Part No.	Thread size NPT
6ØTA792	1/4
6ØTA793	3/8
6ØTA794	1/2
6ØTA796	3/4

Note: All dimensions are in inches and are reference only

Marine Propeller Shafting

Reference Guide

Hydrasearch offers premium marine grade propeller shafting. Our standard grades are AQ19 and AQ22, which are both superior in corrosion resistance and strength as compared to standard 304 or 316 stainless steel. All shafts are precision machined to SAE specification J755.



F

Shaft diameter (A)	Small end diameter ¹ (B)	Taper length ² (C)	Keyway width (D)	Keyway length (E)	Thread size (F)	End of taper to end of thread (G)	End of taper to end of shaft (H)	Cotter pin diameter (I)	Cotter pin length (I)
3/4	0.625	2	3/16	1 1/2	1/2 - 13	1 1/16	1 5/16	1/8	3/4
7/8	0.727	2 3/8	1/4	1 25/32	5/8 - 11	1 1/4	1 1/2	1/8	3/4
1	0.828	2 3/4	1/4	2 1/8	3/4 - 10	1 7/16	1 3/4	1/8	1
1 1/8	0.930	3 1/8	1/4	2 1/8	3/4 - 10	1 7/16	1 3/4	1/8	1
1 1/4	1.033	3 1/2	5/16	2 13/16	7/8 - 9	1 5/8	2	5/32	1 1/4
1 3/8	1.133	3 7/8	5/16	3 3/16	1 - 8	1 13/16	2 1/4	5/32	1 1/2
1 1/2	1.234	4 1/4	3/8	3 1/2	1 1/8 - 7	2	2 7/16	5/32	1 1/2
1 3/4	1.438	5	7/16	4 7/32	1 1/4 - 7	2 1/4	2 3/4	3/16	1 3/4
2	1.641	5 3/4	1/2	4 15/16	1 1/2 - 6	2 5/8	3 1/8	3/16	2
2 1/4	1.844	6 1/2	9/16	5 5/8	1 3/4 - 5	3	3 1/2	1/4	2 1/4
2 1/2	2.047	7 1/4	5/8	6 3/32	1 3/4 - 5	3	3 1/2	1/4	2 1/4
2 3/4	2.258	7 7/8	5/8	6 21/32	2 - 4 1/2	3 1/2	4	1/4	2 1/2
3	2.461	8 5/8	3/4	7 11/32	2 1/4 - 4 1/2	3 7/8	4 3/8	1/4	3
3 1/4	2.661	9 3/8	3/4	8 1/2	2 1/2 - 4	4 3/8	5 1/8	3/8	3
3 1/2	2.867	10 1/8	7/8	9 1/4	2 1/2 - 4	4 3/8	5 1/8	3/8	3
3 3/4	3.070	10 7/8	7/8	10	2 3/4 - 4	4 3/4	5 1/2	3/8	3 1/2
4	3.273	11 5/8	1	10 1/2	3 - 4	5 1/8	5 7/8	3/8	3 1/2

Note: All dimensions are in inches and are reference only

- 1 Tolerances are +/- 0.001 inch
- 2 Taper angle is 3/4 inch per foot

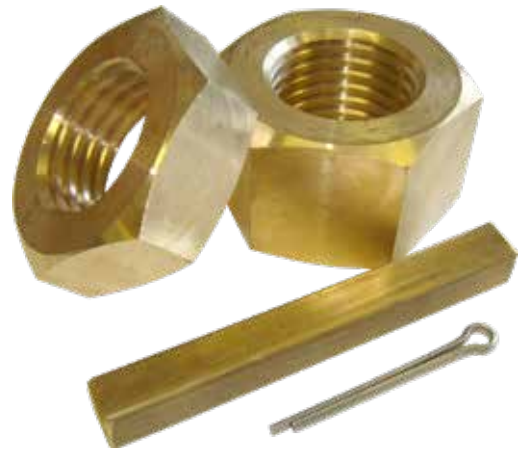


Propeller Shaft Kits

Complete assembly with a full nut, jam nut, keystock and cotter pin

Part No.	Shaft size	Full and jam nut thread size	Keystock dimensions	Cotter pin dimensions
PSK750	3/4	1/2-13	3/16 x 1	1/8 x 3/4
PSK875	7/8	5/8-11	1/4 x 1 3/4	1/8 x 3/4
PSK1000	1	3/4-10	1/4 x 2	1/8 x 1
PSK112	1 1/8	3/4-10	1/4 x 2	1/8 x 1
PSK125	1 1/4	7/8-9	5/16 x 2 1/2	5/32 x 1 1/4
PSK138	1 3/8	1-8	5/16 x 2 1/2	5/32 x 1 1/2
PSK150	1 1/2	1 1/8-7	3/8 x 3 1/2	5/32 x 1 1/2
PSK175	1 3/4	1 1/4-7	7/16 x 5	3/16 x 1 3/4
PSK200	2	1 1/2-6	1/2 x 5	3/16 x 2
PSK225	2 1/4	1 3/4-5	9/16 x 5 5/8	1/4 x 2 1/2
PSK250	2 1/2	1 3/4-5	5/8 x 6 1/8	1/4 x 2 1/2
PSK275	2 3/4	2-4 1/2	5/8 x 6 3/4	1/4 x 3
PSK300	3	2 1/4-4 1/2	5/8 x 3/4 x 7 1/4	1/4 x 3

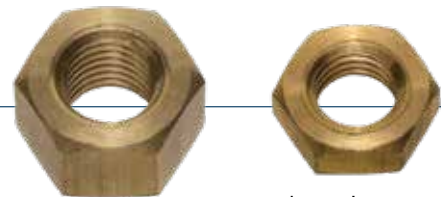
Note: All dimensions are in inches and are reference only



F

Propeller Nuts

Brass or Stainless Steel - Full Nuts and Jam Nuts



brass full nut

brass jam nut

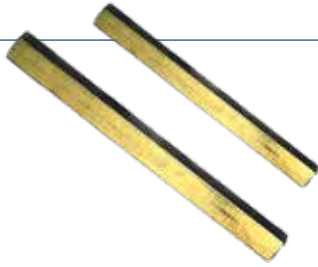
Brass Full Nut Part No.	Stainless Steel Full Nut Part No.	Thread size	Shaft size	Hex width	Hex height	Brass Jam Nut Part No.	Stainless Steel Jam Nut Part No.	Thread size	Shaft size	Hex width	Hex height
75HEXNUT	75HEXNUTSS	1/2-13	3/4	3/4	7/16	75JAMNUT	-	1/2-13	3/4	3/4	7/16
875HEXNUT	875HEXNUTSS	5/8-11	7/8	15/16	1/2	875JAMNUT	875JAMNUTSS	5/8-11	7/8	15/16	3/8
1.00HEXNUT	1.00HEXNUTSS	3/4-10	1	1 1/4	3/4	1.00JAMNUT	1.00JAMNUTSS	3/4-10	1	1 1/4	3/8
1.12HEXNUT	-	3/4-10	1 1/8	1 1/4	3/4	1.12JAMNUT	-	3/4-10	1 1/8	1 1/4	3/8
1.25HEXNUT	1.25HEXNUTSS	7/8-9	1 1/4	1 7/16	13/16	1.25JAMNUT	1.25JAMNUTSS	7/8-9	1 1/4	1 7/16	1/2
1.37HEXNUT	1.37HEXNUTSS	1-8	1 3/8	1 5/8	1	1.37JAMNUT	1.37JAMNUTSS	1-8	1 3/8	1 5/8	1/2
1.50HEXNUT	1.50HEXNUTSS	1 1/8-7	1 1/2	1 13/16	1 1/8	1.50JAMNUT	1.50JAMNUTSS	1 1/8-7	1 1/2	1 13/16	5/8
1.75HEXNUT	1.75HEXNUTSS	1 1/4-7	1 3/4	2	1 3/16	1.75JAMNUT	1.75JAMNUTSS	1 1/4-7	1 3/4	2	11/16
2.00HEXNUT	2.00HEXNUTSS	1 1/2-6	2	2 3/8	1 1/2	2.00JAMNUT	2.00JAMNUTSS	1 1/2-6	2	2 3/8	2 3/8
2.50HEXNUT	-	1 3/4-5	2 1/2	2 11/16	1 11/16	2.50JAMNUT	-	1 3/4-5	2 1/2	2 11/16	15/16
2.75HEXNUT	-	2-4 1/2	2 3/4	3 1/16	1 15/16	2.75JAMNUT	-	2-4 1/2	2 3/4	3 1/16	1 1/16
3.00HEXNUT	-	2 1/4-4 1/2	3	4 7/16	2 3/16	3.00JAMNUT	-	2 1/4-4 1/2	3	4 7/16	1 3/16
3.50HEXNUT	-	2 1/2-4	3 1/2	3 3/4	2 7/16	3.50JAMNUT	-	2 1/2-4	3 1/2	3 3/4	1 3/32

Note: All dimensions are in inches and are reference only

Note: All dimensions are in inches and are reference only

Shaft Keystock

Brass - Sold by the foot - Available up to 6 feet in length



Part No.	Size, inch squared	Part No.	Size, inch squared
KEYS18X1FT	$\frac{3}{16}$	KEYS50X1FT	$\frac{1}{2}$
KEYS25X1FT	$\frac{1}{4}$	KEYS56X1FT	$\frac{9}{16}$
KEYS31X1FT	$\frac{5}{16}$	KEYS62X1FT	$\frac{5}{8}$
KEYS37X1FT	$\frac{3}{8}$	KEYS75X1FT	$\frac{3}{4}$
KEYS43X1FT	$\frac{7}{16}$		

Note: All dimensions are in inches and are reference only

Note: All dimensions are in inches and are reference only

Prop Knockers

Cast Bronze - Propeller removal tool

F



Part No.	Thread size	Shaft size	Weight (pounds)	Part No.	Thread size	Shaft size	Weight (pounds)
ØØPK100	$\frac{3}{4}$ -10	1	1.20	ØØPK200	1 $\frac{1}{2}$ -6	2	5.63
ØØPK125	$\frac{7}{8}$ -9	1 $\frac{1}{4}$	1.35	ØØPK250	1 $\frac{3}{4}$ -5	2 $\frac{1}{2}$	6.65
ØØPK138	1 -8	1 $\frac{3}{8}$	4.20	ØØPK275	2 - 4 $\frac{1}{2}$	2 $\frac{3}{4}$	11.56
ØØPK150	1 $\frac{1}{8}$ -7	1 $\frac{1}{2}$	5.05	ØØPK300	2 $\frac{1}{4}$ - 4 $\frac{1}{2}$	3	10.58
ØØPK175	1 $\frac{1}{4}$ -7	1 $\frac{3}{4}$	4.10				

Note: All dimensions are in inches and are reference only

Note: All dimensions are in inches and are reference only

Shaft Collars

Stainless steel - Complete assembly with two (2) setscrews



Part No.	Shaft diameter	Outside diameter	Overall height	Weight (pounds)
7ØRC100	1	1 $\frac{3}{4}$	$\frac{15}{16}$	0.25
7ØRC113	1 $\frac{1}{8}$	1 $\frac{3}{4}$	$\frac{15}{16}$	0.25

Note: All dimensions are in inches and are reference only

Flange Puller

Cast gray iron - Coupler removal tool - Complete assembly with $\frac{3}{4}$ inch bolt



Part No.	Flange diameter	Weight (pounds)
5ØMCPØ050Ø	5	2.75

Note: All dimensions are in inches and are reference only
Fits most 4 and 5 inch couplers with a 4 inch bolt pattern



Coupler Flange Bolt Sets

Zinc Plated Steel - Standard (Grade 5) and Metric (Grade 8.8) - Complete assembly with bolts, nuts and lock washers

Standard Part No.	Bolt size	Torque Values (ft-lbs)	Package quantity
BOLTSET375	$\frac{3}{8}$ - 24 × 1 $\frac{1}{2}$	26	4
BOLTSET437	$\frac{7}{16}$ - 20 × 1 $\frac{1}{2}$	41	4
BOLTSET432	$\frac{7}{16}$ - 20 × 2 $\frac{3}{4}$	41	4
BOLTSET500	$\frac{1}{2}$ - 20 × 2	64	6
BOLTSET625	$\frac{5}{8}$ - 18 × 1 $\frac{1}{2}$	128	6
BOLTSET626	$\frac{5}{8}$ - 18 × 2	128	6
BOLTSET750	$\frac{3}{4}$ - 16 × 2 $\frac{3}{4}$	223	8
BOLTSET875	$\frac{7}{8}$ - 14 × 2 $\frac{3}{4}$	355	8
BOLTSET100	1- 14 × 3	541	8

Note: All dimensions are in inches and are reference only

Metric Part No.	Bolt size	Torque Values (ft-lbs)	Package quantity
BOLTSET10M	10mm × 40mm	28	4
BOLTSET12M	12mm × 40mm	49	6
BOLTSET16M	16mm × 50mm	121	6
BOLTSET18M	18mm × 70mm	167	10
BOLTSET20M	20mm × 80mm	236	10

Note: All dimensions are in inches and are reference only
Bolt size are in millimeters



Split Coupler Pinch Bolt Sets

Zinc Plated Steel - Standard (Grade 5) - Complete assembly with bolts, nuts and lock washers

Part No.	Bolt size	Torque Values (ft-lbs)
PINCH312	$\frac{5}{16}$ - 24 × 1 $\frac{3}{4}$	14
PINCH432	$\frac{7}{16}$ - 20 × 2 $\frac{1}{2}$	41
PINCH500	$\frac{1}{2}$ - 20 × 3	64

Note: All dimensions are in inches and are reference only

Part No.	Bolt size	Torque Values (ft-lbs)
PINCH625	$\frac{5}{8}$ - 18 × 3 $\frac{1}{4}$	128
PINCH751	$\frac{3}{4}$ - 16 × 5 $\frac{1}{4}$	223

Note: All dimensions are in inches and are reference only



F

Setscrews

Zinc Plated Steel - Standard (Grade 5)

Part No.	Bolt size	Torque Values (ft-lbs)
SETSCEW312	$\frac{5}{16}$ - 18 × $\frac{3}{4}$	10
SETSCEW313	$\frac{5}{16}$ - 18 × 1 $\frac{1}{4}$	10
SETSCEW370 ¹	$\frac{3}{8}$ - 16 × 1	17
SETSCEW371	$\frac{3}{8}$ - 16 × 1 $\frac{1}{2}$	17

Note: All dimensions are in inches and are reference only

1 Comes with drilled heads



Part No.	Bolt size	Torque Values (ft-lbs)
SETSCEW375 ¹	$\frac{3}{8}$ - 16 × 1 $\frac{1}{4}$	17
SETSCEW500	$\frac{1}{2}$ - 13 × 1 $\frac{1}{4}$	38
SETSCEW625	$\frac{5}{8}$ - 11 × 1 $\frac{1}{2}$	82
SETSCEW750	$\frac{3}{4}$ - 10 × 1 $\frac{3}{4}$	111

Note: All dimensions are in inches and are reference only

1 Comes with drilled heads



Transmission Couplers

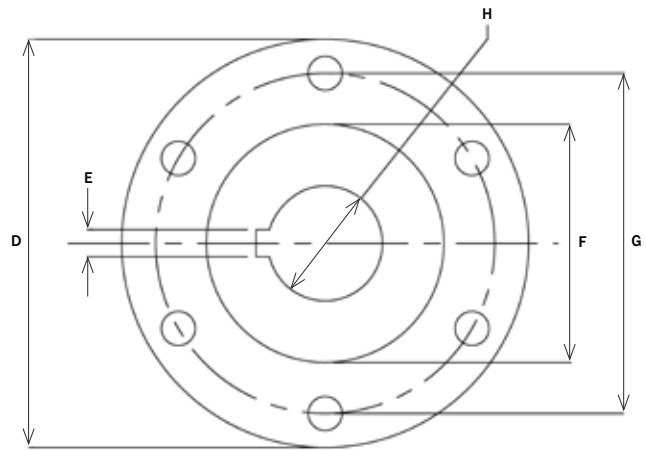
Coupling Reference

Hydrasearch manufactures a full line of transmission couplers for most marine transmissions. Our couplers are cast from ductile iron and machined to SAE J755 specifications. Most of our couplers are machined with our universal bolthole pattern and supplied with mounting hardware. We also offer custom machining for any couplers we do not standardly produce. We carry an extensive inventory in order to better supply our distributor's and OEM's demands.

The following charts can be used to help identify the coupler you need. The first set of charts are categorized by transmission manufacturer (see pages 68-69), while the second set of charts are categorized by flange diameter (see pages 70 - 71). Please feel free to contact our sales team for assistance.

Dimensions

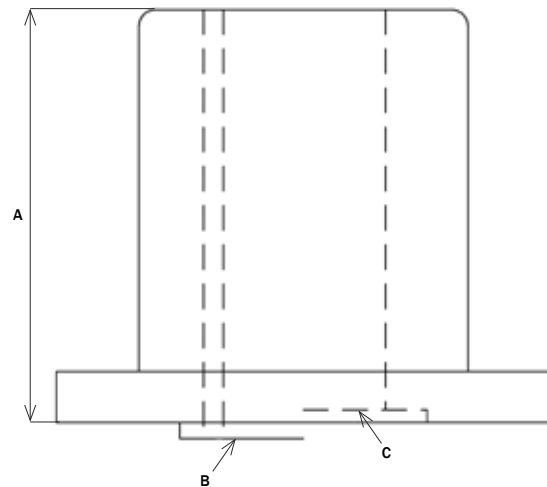
Dimension	Description
A	overall length
B	male pilot (<i>M type</i>)
C	female pilot (<i>F type</i>)
D	flange diameter
E	keyway width
F	pilot diameter
G	bolt circle diameter
H	shaft diameter



Keyway sizes

Shaft diameter	Key size
$\frac{3}{4}$	$\frac{3}{16}$
$\frac{7}{8} - 1 \frac{1}{8}$	$\frac{1}{4}$
$1 \frac{1}{4} - 1 \frac{3}{8}$	$\frac{5}{16}$
$1 \frac{1}{2}$	$\frac{3}{8}$
$1 \frac{3}{4}$	$\frac{7}{16}$
2	$\frac{1}{2}$
$2 \frac{1}{4}$	$\frac{9}{16}$
$2 \frac{1}{2} - 2 \frac{3}{4}$	$\frac{5}{8}$
$3 - 3 \frac{1}{4}$	$\frac{3}{4}$
$3 \frac{1}{2} - 3 \frac{3}{4}$	$\frac{7}{8}$
4	1

Note: All dimensions are in inches and are reference only



Transmission Couplers

Cast ductile with zinc plating

Types of Couplers



solid



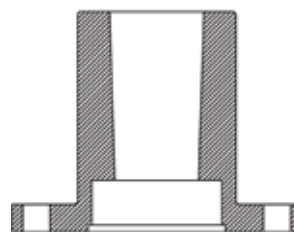
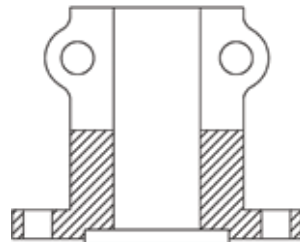
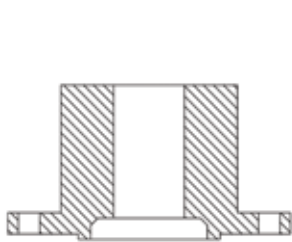
split



standard taper



reverse taper



Part number conversion

The part numbers listed on the following pages are only a prefix. The complete part number will need a suffix number as shown below. Example: Prefix 5ØMCØØ5 + shaft size of 1 1/4 (125). The complete number would be 5ØMCØØ5125.

Shaft diameter	Part number suffix	Shaft diameter	Part number suffix
3/4	075	2 1/4	225
7/8	087	2 1/2	250
1	100	2 3/4	275
1 1/8	112	3	300
1 1/4	125	3 1/4	325
1 3/8	137	3 1/2	350
1 1/2	150	3 3/4	375
1 3/4	175	4	400
2	200		

Note: All dimensions are in inches and are reference only

Note: All dimensions are in inches and are reference only

Transmission Couplers

Reference guide sorted by transmission manufacturer

Allison

Solid Part No.	Split Part No.	Taper Part No.	Flange diameter	Shaft range	No. of bolts	Bolt size	Bolt circle	Pilot	Overall length
-	-	50TC575(U)	5 3/4	1 3/4 - 1 1/2	6	1/2	4 3/4	3 x 1/4 F	6 1/2
50MC573(U)	-	-	5 3/4	1 1/2 - 2	6	1/2	4 3/4	3 x 1/4 F	4 1/2
-	50575(U)	-	5 3/4	1 1/4 - 2 1/4	6	1/2	4 3/4	3 x 1/4 F	4 3/16
-	-	50TC725(U)	7 1/4	1 3/4 - 2 1/2	6	5/8	6	3 3/4 x 1/4 F	7 1/4
-	50725A(U)	-	7 1/4	1 1/4 - 1 3/4	6	5/8	6	3 3/4 x 1/4 F	4 3/8
-	50725B(U)	-	7 1/4	2 - 2 1/2	6	5/8	6	3 3/4 x 1/4 F	5 1/8
-	-	50TC900(U)	9	2 - 3	8	3/4	7 1/2	6 x 1/4 F	7 3/4
-	509001(U)	-	9	1 1/2 - 3	8	3/4	7 1/2	6 x 1/4 F	5 1/2

Note: All dimensions are in inches and are reference only

Atomic Four (Universal)

Solid Part No.	Split Part No.	Taper Part No.	Flange diameter	Shaft range	No. of bolts	Bolt size	Bolt circle	Pilot	Overall length
50MC3500	-	-	3.41	7/8 - 1 1/8	3	3/8	2 3/4	1 7/8 x 1/4 F	2.437

Note: All dimensions are in inches and are reference only

Borg Warner

Solid Part No.	Split Part No.	Taper Part No.	Flange diameter	Shaft range	No. of bolts	Bolt size	Bolt circle	Pilot	Overall length
50MC004	-	-	4	3/4 - 1 1/2	4	3/8	3 1/4	2 1/2 x 3/32 M	2 1/4
-	50401S	-	4	3/4 - 1 1/4	4	3/8	3 1/4	2 1/2 x 3/32 M	2
-	50400B	-	4	7/8 - 1 1/2	4	3/8	3 1/4	2 1/2 x 3/32 M	3 7/16
50MC005	-	-	5	1 - 2	4	7/16	4 1/4	2 1/2 x 3/32 M	2 5/8
50MCF004	-	-	4	3/4 - 1 1/2	4	3/8	3 1/4	2 1/2 x 3/16 F	2 9/32
50MCF005	-	-	5	1 - 1 1/2	4	7/16	4 1/4	2 1/2 x 1/4 F	2 5/8
-	50500A	-	5	1 - 1 1/2	4	7/16	4 1/4	2 1/2 x 3/32 M	3 7/16
-	50500C	-	5	1 1/2 - 2	4	7/16	4 1/4	2 1/2 x 3/32 M	4
-	50500S	-	5	1 - 1 1/2	4	7/16	4 1/4	2 1/2 x 3/32 M	2 1/2
-	-	50TC500	5	1 1/4	4	7/16	4 1/4	2 1/2 x 3/32 M	3 7/8
-	-	50TC500	5	1 3/8	4	7/16	4 1/4	2 1/2 x 3/32 M	4 1/4
-	-	50TC500	5	1 1/2 - 1 3/4	4	7/16	4 1/4	2 1/2 x 3/32 M	5
-	-	50TC005 ¹	5	1 1/4 - 1 3/4	4	7/16	4 1/4	2 1/2 x 3/32 M	2 3/4
-	-	50TC575(U)	5 3/4	1 1/2	6	1/2	4 3/4	3 x 1/4 F	5
-	-	50TC575(U)	5 3/4	1 3/4 - 2 1/4	6	1/2	4 3/4	3 x 1/4 F	6 1/2
50MC573(U)	-	-	5 3/4	1 1/2 - 2	6	1/2	4 3/4	3 x 1/4 F	4 1/2
-	50575(U)	-	5 3/4	1 1/4 - 2 1/4	6	1/2	4 3/4	3 x 1/4 F	4 3/16

Note: All dimensions are in inches and are reference only

1 Reverse taper bore

Transmission Couplers

Reference guide sorted by transmission manufacturer

Capitol

Solid Part No.	Split Part No.	Taper Part No.	Flange diameter	Shaft range	No. of bolts	Bolt size	Bolt circle	Pilot	Overall length
-	50475A(U)	-	4 ³ / ₄	1 - 1 ¹ / ₂	6	⁷ / ₁₆	3 ⁷ / ₈	2 ¹ / ₂ × ³ / ₁₆ F	3 ⁷ / ₁₆
-	50475B(U)	-	4 ³ / ₄	1 ¹ / ₂ - 2	6	⁷ / ₁₆	3 ⁷ / ₈	2 ¹ / ₂ × ³ / ₁₆ F	4
50MC4725(U)	-	-	4 ³ / ₄	1 ¹ / ₄ - 1 ¹ / ₂	6	⁷ / ₁₆	3 ⁷ / ₈	2 ¹ / ₂ × ³ / ₁₆ F	3 ⁵ / ₈
-	-	50TC475(U)	4 ³ / ₄	1 ³ / ₈ - 1 ³ / ₄	6	⁷ / ₁₆	3 ⁷ / ₈	2 ¹ / ₂ × ³ / ₁₆ F	4 ³ / ₁₆
-	-	50TC575(U)	5 ³ / ₄	1 ³ / ₄ - 2 ¹ / ₄	6	¹ / ₂	4 ³ / ₄	3 × ¹ / ₄ F	6 ¹ / ₂
50MC573(U)	-	-	5 ³ / ₄	1 ¹ / ₂ - 2	6	¹ / ₂	4 ³ / ₄	3 × ¹ / ₄ F	4 ¹ / ₂
-	50575(U)	-	5 ³ / ₄	1 ¹ / ₄ - 2 ¹ / ₄	6	¹ / ₂	4 ³ / ₄	3 × ¹ / ₄ F	4 ³ / ₁₆
-	-	50TC725(U)	7 ¹ / ₄	1 ³ / ₄	6	⁵ / ₈	6	3 ³ / ₄ × ¹ / ₄ F	7 ¹ / ₄
-	-	50TC725(U)	7 ¹ / ₄	2 - 2 ¹ / ₂	6	⁵ / ₈	6	3 ³ / ₄ × ¹ / ₄ F	7 ³ / ₄
-	50725A(U)	-	7 ¹ / ₄	1 ¹ / ₄ - 1 ³ / ₄	6	⁵ / ₈	6	3 ³ / ₄ × ¹ / ₄ F	4 ³ / ₈
-	50725B(U)	-	7 ¹ / ₄	2 - 2 ¹ / ₂	6	⁵ / ₈	6	3 ³ / ₄ × ¹ / ₄ F	5 ¹ / ₈

Note: All dimensions are in inches and are reference only

Hurth

Solid Part No.	Split Part No.	Taper Part No.	Flange diameter	Shaft range	No. of bolts	Bolt size	Bolt circle	Pilot	Overall length
50MC004	-	-	4	³ / ₄ - 1 ¹ / ₂	4	³ / ₈	3 ¹ / ₄	2 ¹ / ₂ × ³ / ₃₂ M	2 ¹ / ₄
-	50401S	-	4	³ / ₄ - 1 ¹ / ₄	4	³ / ₈	3 ¹ / ₄	2 ¹ / ₂ × ³ / ₃₂ M	2
-	50400B	-	4	⁷ / ₈ - 1 ¹ / ₂	4	³ / ₈	3 ¹ / ₄	2 ¹ / ₂ × ³ / ₃₂ M	3 ⁷ / ₁₆
50MC005	-	-	5	1 - 2	4	⁷ / ₁₆	4 ¹ / ₄	2 ¹ / ₂ × ³ / ₃₂ M	2 ⁵ / ₈
-	50500A	-	5	1 - 1 ¹ / ₂	4	⁷ / ₁₆	4 ¹ / ₄	2 ¹ / ₂ × ³ / ₃₂ M	3 ⁷ / ₁₆
-	50500C	-	5	1 ¹ / ₂ - 2	4	⁷ / ₁₆	4 ¹ / ₈	2 ¹ / ₂ × ³ / ₃₂ M	4
-	-	50TC500	5	1 ¹ / ₄	4	⁷ / ₁₆	4 ¹ / ₄	2 ¹ / ₂ × ³ / ₃₂ M	3 ⁷ / ₈
-	-	50TC500	5	1 ³ / ₈	4	⁷ / ₁₆	4 ¹ / ₄	2 ¹ / ₂ × ³ / ₃₂ M	4 ¹ / ₄
-	-	50TC500	5	1 ¹ / ₂ - 1 ³ / ₄	4	⁷ / ₁₆	4 ¹ / ₄	2 ¹ / ₂ × ³ / ₃₂ M	5

Note: All dimensions are in inches and are reference only

Newage

Solid Part No.	Split Part No.	Taper Part No.	Flange diameter	Shaft range	No. of bolts	Bolt size	Bolt circle	Pilot	Overall length
50MC005	-	-	5	1 - 2	4	⁷ / ₁₆	4 ¹ / ₄	2 ¹ / ₂ × ³ / ₃₂ M	2 ⁵ / ₈
-	50500A	-	5	1 - 1 ¹ / ₂	4	⁷ / ₁₆	4 ¹ / ₄	2 ¹ / ₂ × ³ / ₃₂ M	3 ⁷ / ₁₆
-	50500C	-	5	1 ¹ / ₂ - 2	4	⁷ / ₁₆	4 ¹ / ₄	2 ¹ / ₂ × ³ / ₃₂ M	4
-	-	50TC500	5	1 ¹ / ₄	4	⁷ / ₁₆	4 ¹ / ₄	2 ¹ / ₂ × ³ / ₃₂ M	3 ⁷ / ₈
-	-	50TC500	5	1 ³ / ₈	4	⁷ / ₁₆	4 ¹ / ₄	2 ¹ / ₂ × ³ / ₃₂ M	4 ¹ / ₄
-	-	50TC500	5	1 ¹ / ₂ - 1 ³ / ₄	4	⁷ / ₁₆	4 ¹ / ₄	2 ¹ / ₂ × ³ / ₃₂ M	5
-	-	50TC575(U)	5 ³ / ₄	1 ³ / ₄ - 2 ¹ / ₄	6	¹ / ₂	4 ³ / ₄	3 × ¹ / ₄ F	6 ¹ / ₂
50MC573(U)	-	-	5 ³ / ₄	1 ¹ / ₂ - 2	6	¹ / ₂	4 ³ / ₄	3 × ¹ / ₄ F	4 ¹ / ₂
-	50575(U)	-	5 ³ / ₄	1 ¹ / ₄ - 2 ¹ / ₄	6	¹ / ₂	4 ³ / ₄	3 × ¹ / ₄ F	4 ³ / ₁₆
-	-	50TC725(U)	7 ¹ / ₄	1 ³ / ₄ - 2 ¹ / ₂	6	⁵ / ₈	6	3 ³ / ₄ × ¹ / ₄ F	7 ³ / ₄
-	50725A(U)	-	7 ¹ / ₄	1 ¹ / ₄ - 1 ³ / ₄	6	⁵ / ₈	6	3 ³ / ₄ × ¹ / ₄ F	4 ³ / ₈
-	50725B(U)	-	7 ¹ / ₄	2 - 2 ¹ / ₂	6	⁵ / ₈	6	3 ³ / ₄ × ¹ / ₄ F	5 ¹ / ₈

Note: All dimensions are in inches and are reference only

Transmission Couplers

Reference guide sorted by transmission manufacturer

Paragon

Solid Part No.	Split Part No.	Taper Part No.	Flange diameter	Shaft range	No. of bolts	Bolt size	Bolt circle	Pilot	Overall length
-	50400A	-	4	1 - 1 1/2	4	3/8	3 1/4	2 x 3/32 M	3 7/16
-	50400S	-	4	7/8 - 1 1/4	4	3/8	3 1/4	2 x 3/32 M	2
50MC4020	-	-	4	3/4 - 1 3/8	4	3/8	3 1/4	2 x 3/32 M	2 1/4
-	50400C	-	4	1 - 1 1/2	4	3/8	3 1/4	2 5/8 x 3/32 M	3 7/16
-	50402S	-	4	1 - 1 1/4	4	3/8	3 1/4	2 5/8 x 3/32 M	2
50MC4026	-	-	4	3/4 - 1 3/8	4	3/8	3 1/4	2 5/8 x 3/32 M	2 1/4
50MC4526	-	-	4 1/2	1 - 1 3/4	4	3/8	3 3/4	2 5/8 x 3/32 M	2 5/8
-	50500B	-	5	1 - 1 1/2	4	3/8	4 1/8	2 3/4 x 3/32 M	3 7/16
-	50501S	-	5	1 - 1 1/2	4	3/8	4 1/8	2 3/4 x 3/32 M	2 1/2

Note: All dimensions are in inches and are reference only

F

Twin Disc

Solid Part No.	Split Part No.	Taper Part No.	Flange diameter	Shaft range	No. of bolts	Bolt size	Bolt circle	Pilot	Overall length
-	50475A(U)	-	4 3/4	1 - 1 1/2	6	7/16	3 7/8	2 1/2 x 3/16 F	3 1/2
-	50475B(U)	-	4 3/4	1 1/2 - 2	6	7/16	3 7/8	2 1/2 x 3/16 F	4
50MC4725(U)	-	-	4 3/4	1 1/4 - 1 1/2	6	7/16	3 7/8	2 1/2 x 3/16 F	3 5/8
-	-	50TC475(U)	4 3/4	1 3/8 - 1 3/4	6	7/16	3 7/8	2 1/2 x 3/16 F	4 3/16
-	50501A	-	5	1 - 1 1/2	8	3/8	4 1/8	2 1/2 x 3/32 M	3 7/16
-	50575(U)	-	5 3/4	1 1/4 - 2 1/4	6	5/8	4 3/4	3 x 1/4 F	4 3/16
50MC573(U)	-	-	5 3/4	1 1/2 - 2	6	5/8	4 3/4	3 x 1/4 F	4 1/2
-	-	50TC575(U)	5 3/4	1 1/2	6	5/8	4 3/4	3 x 1/4 F	5
-	-	50TC575(U)	5 3/4	1 3/4 - 2 1/4	6	5/8	4 3/4	3 x 1/4 F	6 1/2
-	50725A(U)	-	7 1/4	1 1/4 - 1 3/4	6	3/4	6	3 3/4 x 1/4 F	4 3/8
-	50725B(U)	-	7 1/4	2 - 3	6	3/4	6	3 3/4 x 1/4 F	5 1/8
-	-	50TC725(U)	7 1/4	1 3/4 - 2 1/2	6	3/4	6	3 3/4 x 1/4 F	7 3/4
-	-	50TC900(U)	9	2 - 3	8	7/8	7 1/2	6 x 1/4 F	7 3/4
-	509001(U)	-	9	1 1/2 - 3	8	7/8	7 1/2	6 x 1/4 F	5 1/2
-	501050	-	10 1/2	2 1/2 - 4	8	1	8 3/4	5 x 1/4 F	6 1/2
-	-	50TC1050	10 1/2	2 1/2 - 4	8	1	8 3/4	5 x 1/4 F	8

Note: All dimensions are in inches and are reference only

Volvo Penta

Solid Part No.	Split Part No.	Taper Part No.	Flange diameter	Shaft range	No. of bolts	Bolt size	Bolt circle	Pilot	Overall length
50MVP400	-	-	3.945	3/4 - 1 1/4	4	10mm	3.142	2.366 x 3/32 F	2 17/32

Note: All dimensions are in inches and are reference only

Transmission Couplers

Reference guide sorted by transmission manufacturer

Yanmar

Solid Part No.	Split Part No.	Taper Part No.	Flange diameter	Shaft range	No. of bolts	Bolt size	Bolt circle	Pilot	Overall length
-	50400YS	-	4	$\frac{3}{4}$ - $1\frac{1}{4}$	4	10mm	3.070	$1.966 \times \frac{5}{32}$ M	2
50MCY004	-	-	4	$\frac{3}{4}$ - $1\frac{3}{8}$	4	10mm	3.070	$1.966 \times \frac{5}{32}$ M	$2\frac{1}{4}$
-	50500YS	-	$4\frac{3}{4}$	$1 - 1\frac{1}{2}$	4	10mm	3.937	$2.556 \times \frac{1}{8}$ M	$3\frac{7}{16}$
50MCY005	-	-	$4\frac{3}{4}$	$1 - 1\frac{3}{4}$	4	10mm	3.937	$2.556 \times \frac{1}{8}$ M	$2\frac{3}{8}$

Note: All dimensions are in inches and are reference only

ZF

Solid Part No.	Split Part No.	Taper Part No.	Flange diameter	Shaft range	No. of bolts	Bolt size	Bolt circle	Pilot	Overall length
-	50475A(U)	-	$4\frac{3}{4}$	$1 - 1\frac{1}{2}$	6	12mm	$3\frac{7}{8}$	$2\frac{1}{2} \times \frac{3}{16}$ F	$3\frac{1}{2}$
-	50475B(U)	-	$4\frac{3}{4}$	$1\frac{1}{2} - 2$	6	12mm	$3\frac{7}{8}$	$2\frac{1}{2} \times \frac{3}{16}$ F	4
50MC4725(U)	-	-	$4\frac{3}{4}$	$1\frac{1}{4} - 1\frac{1}{2}$	6	12mm	$3\frac{7}{8}$	$2\frac{1}{2} \times \frac{3}{16}$ F	$3\frac{5}{8}$
-	-	50TC475(U)	$4\frac{3}{4}$	$1\frac{3}{8} - 1\frac{3}{4}$	6	12mm	$3\frac{7}{8}$	$2\frac{1}{2} \times \frac{3}{16}$ F	$4\frac{3}{16}$
50MC573(U)	-	-	$5\frac{3}{4}$	$1\frac{1}{2} - 2$	6	16mm	$4\frac{3}{4}$	$3 \times \frac{1}{4}$ F	$4\frac{1}{2}$
-	50575(U)	-	$5\frac{3}{4}$	$1\frac{1}{4} - 2\frac{1}{4}$	6	$\frac{5}{8}$	$4\frac{3}{4}$	$3 \times \frac{1}{4}$ F	$4\frac{3}{16}$
-	-	50TC575(U)	$5\frac{3}{4}$	$1\frac{1}{2}$	6	$\frac{5}{8}$	$4\frac{3}{4}$	$3 \times \frac{1}{4}$ F	5
-	-	50TC575(U)	$5\frac{3}{4}$	$1\frac{3}{4} - 2\frac{1}{4}$	6	$\frac{5}{8}$	$4\frac{3}{4}$	$3 \times \frac{1}{4}$ F	$6\frac{1}{2}$
-	50610B	-	6.10	$1\frac{3}{4} - 2\frac{1}{2}$	10	$\frac{5}{8}$	4.921	3.94×0.215 F	5
-	-	50TC610	6.10	$2 - 2\frac{1}{4}$	10	$\frac{5}{8}$	4.921	3.94×0.215 F	$6\frac{1}{2}$
-	50669	-	6.69	$1\frac{3}{4} - 2\frac{1}{2}$	12	$\frac{5}{8}$	5.512	$4.530 \times \frac{9}{32}$ F	5
-	-	50TC669	6.69	2	12	16mm	5.512	$4.530 \times \frac{9}{32}$ F	$6\frac{1}{2}$
-	-	50TC669	6.69	$2\frac{1}{4} - 3$	12	16mm	5.512	$4.530 \times \frac{9}{32}$ F	$7\frac{1}{2}$
-	-	50TC725G	7.250	$2 - 2\frac{1}{4}$	12	18mm	6.122	$4.725 \times \frac{9}{32}$ F	$6\frac{1}{2}$
-	-	50TC725G	7.250	$2\frac{1}{2} - 3$	12	18mm	6.122	$4.725 \times \frac{9}{32}$ F	$7\frac{1}{2}$
-	50725BZF	-	$7\frac{1}{4}$	$2 - 2\frac{1}{2}$	8	16mm	6	$3\frac{3}{4} \times \frac{1}{4}$ F	$5\frac{1}{8}$
-	-	50TC72ZF	$7\frac{1}{4}$	$1\frac{3}{4} - 2\frac{1}{2}$	8	16mm	6	$3\frac{3}{4} \times \frac{1}{4}$ F	$7\frac{1}{4}$
-	50787ZF	-	$7\frac{7}{8}$	$1\frac{1}{2} - 2\frac{3}{4}$	8	16mm	6.732	$5.512 \times \frac{9}{32}$ F	$5\frac{1}{2}$
-	50807ZF	-	8.07	$1\frac{1}{2} - 2\frac{3}{4}$	10	18mm	6.693	$5.512 \times \frac{9}{32}$ F	$5\frac{1}{2}$
-	-	50TC807	8.07	$2 - 2\frac{1}{2}$	10	18mm	6.693	$5.512 \times \frac{9}{32}$ F	$7\frac{3}{4}$
-	50886	-	8.86	$2 - 2\frac{1}{2}$	8	16mm	7.717	$5.514 \times \frac{1}{4}$ F	$5\frac{1}{2}$
-	-	50TC886	8.86	2 - 4	8	16mm	7.717	$5.514 \times \frac{1}{4}$ F	$7\frac{3}{4}$
-	501050	-	$10\frac{1}{2}$	$2\frac{1}{2} - 4$	8	1	$8\frac{3}{4}$	$5 \times \frac{1}{4}$ F	$6\frac{1}{2}$
-	-	50TC1050	$10\frac{1}{2}$	$2\frac{1}{4} - 4$	8	1	$8\frac{3}{4}$	$5 \times \frac{1}{4}$ F	8

Note: All dimensions are in inches and are reference only

Miscellaneous

Solid Part No.	Split Part No.	Taper Part No.	Flange diameter	Shaft range	No. of bolts	Bolt size	Bolt circle	Pilot	Overall length
-	50400D	-	4	$1\frac{1}{2}$	8	$\frac{3}{8}$	$3\frac{1}{4}$	$2 \times \frac{3}{16}$ F	$3\frac{3}{8}$

Note: All dimensions are in inches and are reference only

Transmission Couplers

Reference guide sorted by flange diameter

Transmission Guide

Flange diameter	Transmission	Model No.	Pilot M/F	No. of bolts	Bolt size	Bolt circle	Solid Part No.	Split Part No.	Taper Part No.
3.410	Universal	Atomic 4	1.876 F	3	$\frac{3}{8}$	2 $\frac{3}{4}$	50MC3500	-	-
3.945	Volvo Penta	MB10A, MD38, MD7A, MD11C	2.362 F	4	$\frac{3}{8}$	3.149	50MVP400	-	-
4	Hurth	HBW5, 10, 20, 50, 100, 125, 125H, 150, 150A, 150V, 220, 250, HSW450D, 250H, 250A	2 $\frac{1}{2}$ M	4	$\frac{3}{8}$	3 $\frac{1}{4}$	50MC004	50401S 50400B	-
4	Borg Warner	70C, 1017, 1023, 2301	2 $\frac{1}{2}$ M	4	$\frac{3}{8}$	3 $\frac{1}{4}$	50MC004	50401S 50400B	-
4	Newage	PRM DELTA	2 $\frac{1}{2}$ M	4	$\frac{3}{8}$	3 $\frac{1}{4}$	50MC004	50401S 50400B	-
4	Paragon	HF, HB, RD	2 M	4	$\frac{3}{8}$	3 $\frac{1}{4}$	50MC4020	50400S 50400A	-
4	Paragon	P-200, P-300, P-13, PV-300	2 $\frac{5}{8}$ M	4	$\frac{3}{8}$	3 $\frac{1}{4}$	50MC4026	-	-
4	ZF	ZF5M, 10M, 12M, 12, 15M, 15MA, 15MIV, 25M, 25MA, 30M, 45C, 25, 25A, 45IV	2 $\frac{1}{2}$ M	4	$\frac{3}{8}$	3 $\frac{1}{4}$	50MC004	50401S 50400B	-
4 $\frac{1}{2}$	Paragon	RA, PV400	2 $\frac{5}{8}$ M	4	$\frac{3}{8}$	3 $\frac{3}{4}$	50MC4526	-	-
4 $\frac{3}{4}$	Capitol	5HD200	2 $\frac{1}{2}$ M	6	$\frac{7}{16}$	3 $\frac{7}{8}$	50MC4725(U)	50475A(U) 50475B(U)	50TC475(U)
4 $\frac{3}{4}$	Twin Disc	MG-502, 502-1	2 $\frac{1}{2}$ M	6	$\frac{7}{16}$	3 $\frac{7}{8}$	50MC4725(U)	50475A(U) 50475B(U)	50TC475(U)
4 $\frac{3}{4}$	Yanmar	30M30H/G, KVH20, KHIS	2.556 M	4	10mm	3.937	50MCY005	50500YS	-
4 $\frac{3}{4}$	ZF	ZF220A, IRM220A1, IRM220A/V, ZF220V, IRM220V2, IRM225A	2 $\frac{1}{2}$ F	6	12mm	3 $\frac{7}{8}$	50MC4725(U)	50475A(U) 50475B(U)	50TC475(U)
5	Borg Warner	72C-1017, 1018, 1004, 1005, 1013, 1014, 2001	2 $\frac{1}{2}$ M	4	$\frac{7}{16}$	4 $\frac{1}{4}$	50MC005	50500A 50500C	50TC500
5	Hurth	HS25A, HS45A, HS63IV, HSW630A, 630H, 630V, 880D, 450A2, 630D, 630A1, 630H1, 630V1, 90ATS, 90TS, 90VTS, 110TS, HBW630, 630A, 400, 450, 600, 630	2 $\frac{1}{2}$ M	4	$\frac{7}{16}$	4 $\frac{1}{4}$	50MC005	50500A 50500C	50TC500
5	Newage	PRM 210/160	2 $\frac{1}{2}$ M	4	$\frac{7}{16}$	4 $\frac{1}{4}$	50MC005	50500A 50500C	50TC500
5	Paragon	P-400	2 $\frac{3}{4}$ M	4	$\frac{3}{8}$	4 $\frac{1}{8}$	50MC5027	50500B 50500D	-
5	Twin Disc	5010A, 5011A	2 $\frac{1}{2}$ M	8	$\frac{7}{16}$	4 $\frac{1}{8}$	-	50501A	-
5	Volvo Penta	MS, MS3, MS4A, MV2	2 $\frac{1}{2}$ M	4	$\frac{7}{16}$	4 $\frac{1}{4}$	50MC005	50500A 50500C	50TC500
5	ZF	ZF88C, 45A, 63A, 63C, 63IV, 90ATS, 90TS, 110TS, IRM41A2, 50A2, 50A2, 50V3, 501, 50A2/K3, 50V2/3LD	2 $\frac{1}{2}$ M	4	$\frac{7}{16}$	4 $\frac{1}{4}$	50MC005	50500A 50500C	50TC500
5 $\frac{3}{4}$	Allison	-	3 F	6	$\frac{1}{2}$	4 $\frac{3}{4}$	50MC573(U)	50575(U)	50TC575(U)
5 $\frac{3}{4}$	Borg Warner	-	3 F	6	$\frac{1}{2}$	4 $\frac{3}{4}$	50MC573(U)	50575(U)	50TC575(U)
5 $\frac{3}{4}$	Capitol	2H3/4HE-10200, 2HE/4H3-11200, M105, M125	3 F	6	$\frac{1}{2}$	4 $\frac{3}{4}$	50MC573(U)	50575(U)	50TC575(U)
5 $\frac{3}{4}$	Hurth	HSW800A, 800V, 800VI, 110VTS	3 F	6	$\frac{1}{2}$	4 $\frac{3}{4}$	50MC573(U)	50575(U)	50TC575(U)
5 $\frac{3}{4}$	Hurth	HSW800A2, 800A3, 110ATS	3 F	6	$\frac{5}{8}$	4 $\frac{3}{4}$	50MC573(U)	50575(U)	50TC575(U)

Note: All dimensions are in inches and are reference only

Transmission Couplers

Reference guide sorted by flange diameter

Transmission Guide - continued

Flange diameter	Transmission	Model No.	Pilot M/F	No. of bolts	Bolt size	Bolt circle	Solid Part No.	Split Part No.	Taper Part No.
5 3/4	Newage	PRM302, 310, 401, 402, 500D, 601, 601A	3 F	6	1/2	4 3/4	50MC573(U)	50575(U)	50TC575(U)
5 3/4	Twin Disc	MG605, 5061A, 5062V, 507, 5050, 5050A, 5050V, 5061, 506-1, 506A, 507-2, 507-1, 507A-1, 507A-2	3 F	6	5/8	4 3/4	50MC573(U)	50575(U)	50TC575(U)
5 3/4	ZF	IRM, 301, 220V/LD, ZF80IV, 85IV, 110VTS, 220IV	3 F	6	1/2	4 3/4	50MC573(U)	50575(U)	50TC575(U)
5 3/4	ZF	IRM330PL, 280A, 280V-LD-1, 300VTS, 301A-1, 301A-2, 30, PL-301PL-2, ZF80A, 85A, 110ATS, 220, 2801, 2801A, 280IV, 280A, 285A, 285IV, 286A, 286IV, 3001TS, 3001ATS, 300IVTS, 301A, 301C	3 F	6	5/8	4 3/4	50MC573(U)	50575(U)	50TC575(U)
6.10	ZF	ZF3051, 305A, 3051A	3.94 F	10	16mm	4.921	-	50610B	50TC610
6.69	ZF	ZF325ATS, 325IV, 325IVTS, 325TS, 3251, 3251A, IRM 325A, 165PL	4.528 F	12	16mm	5.512	-	50669	50TC669
7 1/4	Allison	M	3 3/4 F	6	5/8	6	-	50725A(U) 50725B(U)	50TC725(U)
7 1/4	Allison	M	3 3/4 F	6	3/4	6	-	50725A(U) 50725B(U)	50TC725(U)
7 1/4	Capitol	4HE10700, 11700, HY22000, 24000, HY2500, HY6900	3 3/4 F	6	5/8	6	-	50725A(U) 50725B(U)	50TC725(U)
7 1/4	Capitol	D5072	3 3/4 F	6	3/4	6	-	50725A(U) 50725B(U)	50TC725(U)
7 1/4	Newage	PRM60, 601, 601A	3 3/4 F	6	5/8	6	-	50725A(U) 50725B(U)	50TC725(U)
7 1/4	Twin Disc	MG506, 5065A, 507, 507-1, 507-2, 507A-1, 50A-2, 5075, 5075A, 5075IV, 5085, 509, 509-1SC, 508-1, 509-1, 5091V, 509-1SC, 5090A	3 3/4 F	6	3/4	6	-	50725A(U) 50725B(U)	50TC725(U)
7 1/4	ZF	IRM310AL, V250M	3 3/4 F	6	16mm	6	-	50725A(U) 50725B(U)	50TC725(U)
7 1/4	ZF	IRM302VLD1, 302V/6, 304A, 310A, 310PL, 311A, 311A-1, 311PL, 312TS, V250M, ZF302IV, 304A, 304C, 311A, 312TS	3 3/4 F	8	16mm	6	-	50725BZF	50TC72ZF
7.28	ZF	BW190, 195, 195P, 200A, 2060A, ZF2000, 2000A, ZF2000V, 2050, 2050A, 2050V, 2060, 2060A, 2060V, 2070, 2070V, 2150, 2150A, 2150V	4.725 F	12	18mm	6.122	-	-	50TC725G
8.07	ZF	BW155, 155A, 155ATS, 155TS, 155V, IRM-311PL, 320, 320A, 350-A, 350A-2, 350AL/PL, 350ATS, 350PL-2, 350TS, 350V-LD-1, 350V, ZF311, ZF350, 350A, 350ATS, 350IV, 350TS, 350V, 500A, 500IV, 510A, 550, 550A, 550ATS, 550TS, 665, 665A, 665ATS, 665TS, 665V	5.511 F	10	18mm	6.692	-	50807ZF	50TC807
9	Allison	M20	6 F	8	3/4	7 1/2	-	509001(U)	50TC900(U)
9	Allison	MH, 15R-L	6 F	8	7/8	7 1/2	-	509001(U)	50TC900(U)
9	Twin Disc	MG510A, 5111A, DD511, 510, 5111SC, 5114A, 5135A	6 F	8	7/8	7 1/2	-	509001(U)	50TC900(U)
9	ZF	IRM320AL	6 F	8	7/8	7 1/2	-	509001(U)	50TC900(U)
10 1/2	Twin Disc	MG509, 512, 513, 514, 514C	5 F	8	1	8 3/4	-	501050	50TC1050
10 1/2	ZF	IRM320LAV	5 F	8	1	8 3/4	-	501050	50TC1050

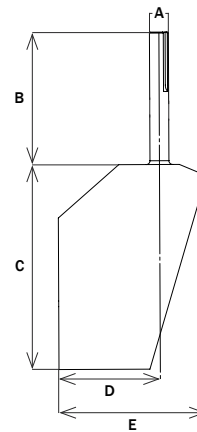
Note: All dimensions are in inches and are reference only

AQ-22 Marine Rudders



- Designed for boat speeds up to 40 knots
- Hydrodynamic shape provides proven performance throughout the designed speed range
- Construction, AQ-22 stainless steel

Dimensions




Product Specifications and Ordering Information

Example: 70RMODEL I

Part No.	Dim. A	Dim. B	Approximate weight stock per foot-pound/foot	Approximate rudder weight less stock pound	Dim. C	Dim. D	Dim. E	Estimated rudder torque 40 knots (inches/pounds)
70RMODEL I	1.25	15	4.17	19	13.5	6.69	9.81	4400
70RMODEL II	1.5	18	6.01	30	16.5	8.25	12	8100
70RMODEL III	1.75	21	8.18	47	19	9.38	13.38	12200
70RMODEL IV	2.25	24	13.52	82	23.38	11.63	17	22300
70RMODEL V	2.75	30	20.19	125	27	13.38	19.5	34300
70RMODEL VI	4	34	42.71	200	30.875	15.38	22.38	52200
70RMODEL VII	4.5	38	54.05	275	34.5	17	25	71900

Note: All dimensions are in inches and are for reference only

Custom rudders are available upon request.

Rudder torque has been increased 25% to allow for bearing friction. 

AQ-22 special features

- Wedge sections, creates positive steering forces for a full range of rudder angles
- Designed to trail or track in the slip stream
- Rudder is cut away to minimize ventilation of the rudder during high speed turns
- Cast in stainless steel to provide the strength and positive steering control

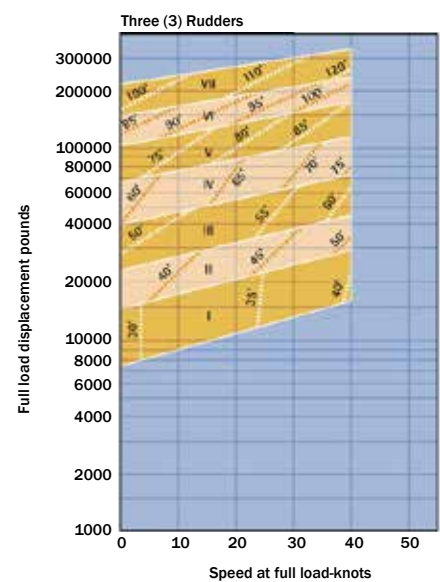
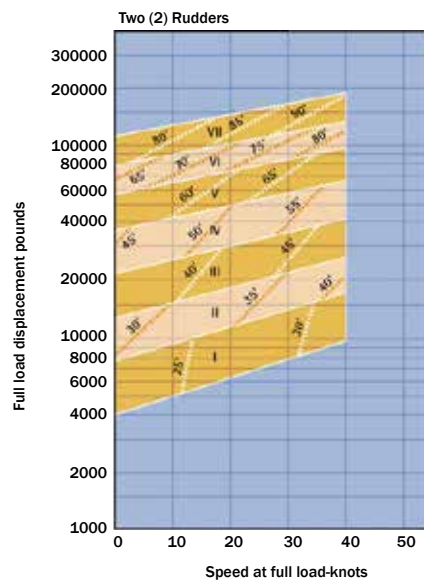
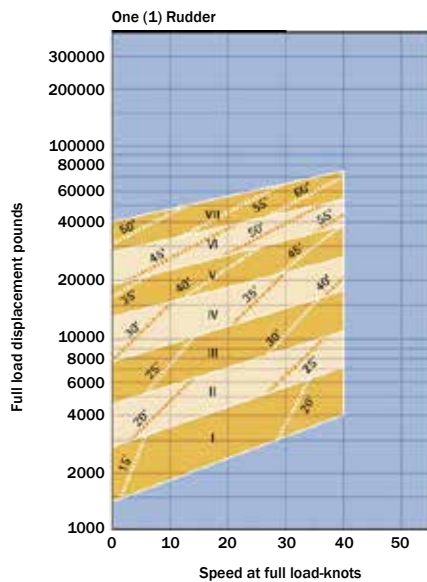
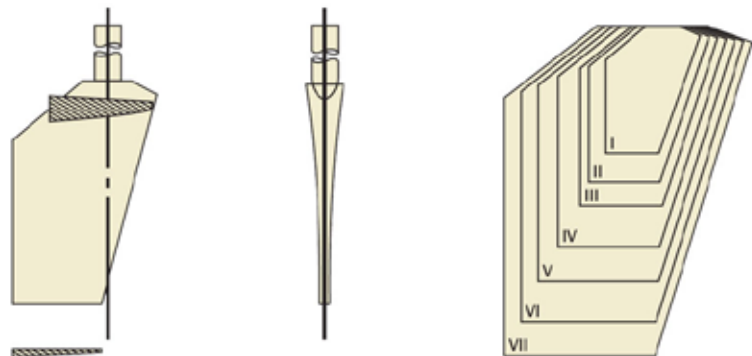
AQ-22 Marine Rudders

Rudder Selection

- Estimate of the maximum operating speed and displacement of the boat must be determined
- The speed at which a boat is typically driven will impact the choice of the rudder size
- A single rudder is required for each propeller
- If a specific diameter or length is required, it must be stated when ordering the rudder

Boat Characteristics

Boat Characteristic Reference	AQ-22 Rudders
Assumed speed of 25 knots, 28,000 pounds displacement	
One (1) rudder	7ØRMODELV
Two (2) rudders	7ØRMODELIII
Three (3) rudders	7ØRMODELII
Assumed speed of 33 knots and a 38 foot boat	
One (1) rudder	7ØRMODELIV
Two (2) rudders	7ØRMODELII
Three (3) rudders	7ØRMODEL I

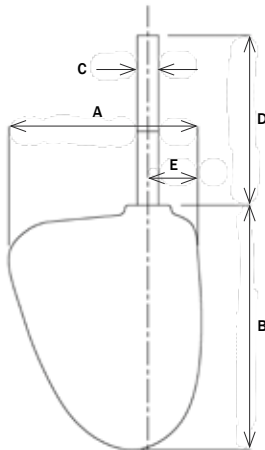


Notes: Numerical value of stock length has been chosen arbitrarily
 Rudder weights are estimated
 Rudder torque is included so that the force required at the tiller arm may be estimated
 Dash lines indicate approximate boat length



Rudders

Bronze - All rudders come with a stainless steel shaft



Part No.	Blade width (A)	Blade length (B)	Shaft diameter (C)	Shaft length (D)	Forward blade (E)	Weight (pounds)
1ØR2SS1.0Ø	9 ³ / ₈	12	1	12	2 ¹³ / ₁₆	15
1ØR2SS1.12	9 ³ / ₈	12	1 ¹ / ₈	12	2 ¹³ / ₁₆	15
1ØR2SS1.25	9 ³ / ₈	12	1 ¹ / ₄	12	2 ¹³ / ₁₆	15
1ØR3SS1.0Ø	10 ³ / ₁₆	13	1	13	2 ⁵ / ₈	15
1ØR3SS1.12	10 ³ / ₁₆	13	1 ¹ / ₈	13	2 ⁵ / ₈	15
1ØR3SS1.25	10 ³ / ₁₆	13	1 ¹ / ₄	13	2 ⁵ / ₈	15
1ØR3XSS1.1	10 ¹³ / ₁₆	14 ¹ / ₄	1 ¹ / ₈	16 ¹ / ₄	2 ⁵ / ₈	20
1ØR3XSS1.2	10 ¹³ / ₁₆	14 ¹ / ₄	1 ¹ / ₄	16 ¹ / ₄	2 ⁵ / ₈	20
1ØR5SS1.25	12 ¹ / ₁₆	16 ¹ / ₄	1 ¹ / ₄	18	2 ³ / ₄	26
1ØR6SS1.25	13	17 ³ / ₄	1 ¹ / ₄	20	3 ¹ / ₈	34
1ØR6SS1.37	13	17 ³ / ₄	1 ³ / ₈	20	3 ¹ / ₈	34
1ØR6SS1.5Ø	13	17 ³ / ₄	1 ¹ / ₂	20	3 ¹ / ₈	34
1ØR7XSS1.2	13 ⁹ / ₁₆	20 ¹ / ₄	1 ¹ / ₄	20	3 ⁵ / ₁₆	40
1ØR7XSS1.3	13 ⁹ / ₁₆	20 ¹ / ₄	1 ³ / ₈	17	3 ⁵ / ₁₆	40
1ØR8SS1.5Ø	14 ¹ / ₂	22	1 ¹ / ₂	24	4 ¹ / ₄	60
1ØR8SS1.75	14 ¹ / ₂	22	1 ³ / ₄	24	4 ¹ / ₄	70
1ØR8SS2.0Ø	14 ¹ / ₂	22	2	24	4 ¹ / ₄	71

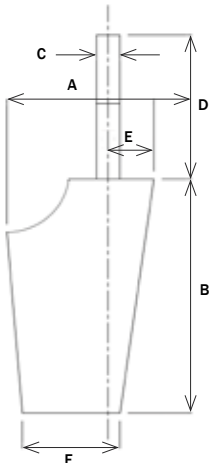
Note: All dimensions are in inches and are reference only
 Rudder shafts do not come with keyways installed. Keyways can be machined upon request.
 The shafts shown are stock; other shaft lengths are available upon request.



G

Special Rudders

Bronze - All rudders come with a stainless steel shaft



Part No.	Blade top (A)	Blade length (B)	Shaft diameter (C)	Shaft length (D)	Forward blade (E)	Blade bottom (F)	Weight (pounds)
1ØR21MSS1	10	14	1	15	2	6 ³ / ₄	12
1ØR23MSS1	10 ¹ / ₂	22	1 ³ / ₄	17 ¹ / ₂	3	9 ¹ / ₂	50
1ØR25MSS1	9 ¹ / ₂	17	1 ¹ / ₄	16	2 ¹ / ₂	6 ⁷ / ₈	16
1ØR26MSS1	8	14 ¹ / ₄	1 ¹ / ₄	16 ¹ / ₄	2 ⁵ / ₁₆	5 ¹ / ₂	14
1ØR3ØMSS15	13 ¹ / ₂	20	1 ¹ / ₂	20	5 ³ / ₄	7 ¹⁷ / ₃₂	70
1ØR33ESS1	9 ¹ / ₂	18 ⁵ / ₈	1 ¹ / ₄	18 ¹ / ₂	2	7 ¹ / ₄	24

Note: All dimensions are in inches and are reference only
 Rudder shafts do not come with keyways installed. Keyways can be machined upon request.
 The shafts shown are stock; other shaft lengths are available upon request.



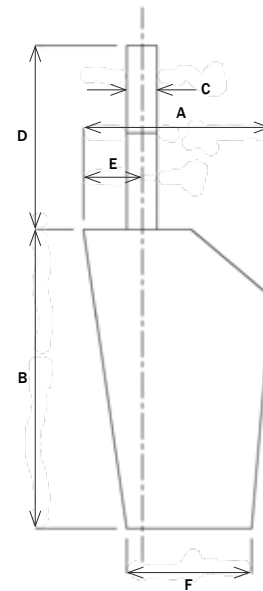
Spade Rudders

Bronze - All rudders come with a stainless steel shaft

Part No.	Blade width (A)	Blade length (B)	Shaft diameter (C)	Shaft length (D)	Forward blade (E)	Blade bottom (F)	Weight (pounds)
1ØR2ØSS1.2	10 1/4	14 7/16	1 1/4	15 1/4	2 1/2	8 1/16	20
1ØR2ØMSS1	8 1/2	11 1/2	1 1/4	12	2 3/8	6 1/2	16
1ØR3ØSS1.2	10 1/4	17 3/4	1 1/4	16 1/4	2 3/8	8 1/16	24
1ØR3ØLSS1	10 1/8	19	1 1/4	18 1/2	2 3/8	7 1/2	28
1ØR3ØLSS13	10 1/8	19	1 3/8	16	2 3/8	7 1/2	28
1ØR3ØL38SS	10	21 11/16	1 1/4	18	2 1/2	7	37
1ØR32SS1.2	9 3/4	17 9/16	1 1/4	16	2 1/8	7 1/8	24
1ØR32SS1.3	9 3/4	17 9/16	1 3/8	16	2 1/8	7 1/8	24
1ØR38SS1.3	9 13/16	21 5/8	1 3/8	17	2 3/8	7	29
1ØR4ØSS1.2	13 1/2	20 3/4	1 1/4	20 1/4	3 1/2	10	40
1ØR4ØSS1.3	13 1/2	20 3/4	1 3/8	20 1/4	3 1/2	10	40
1ØR4ØSS1.5	13 1/2	20 3/4	1 1/2	20 1/4	3 1/2	10	40
1ØR5ØSS2.Ø	15 3/4	28 1/8	2	30	3 3/8	11 3/8	78
1ØR56SS1.7	12 3/4	24 1/4	1 3/4	18	3	9 3/8	71
1ØR58SS2.Ø	15 1/2	32	2	21	3 3/8	11 1/2	94

Note: All dimensions are in inches and are reference only

Rudder shafts do not come with keyways installed. Keyways can be machined upon request.
The shafts shown are stock; other shaft lengths are available upon request.



G

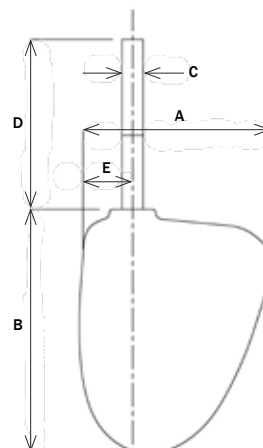
High Speed Rudders

Bronze - All rudders come with a stainless steel shaft

Part No.	Blade width (A)	Blade length (B)	Shaft diameter (C)	Shaft length (D)	Forward blade (E)	Weight (pounds)
1ØR1HSSS1	11 1/8	13 1/4	1	9 1/2	2 5/16	14
1ØR2HSSS1	11 7/8	16 1/4	1 1/4	18	2 13/16	26
1ØR3HSSS1	8 7/8	13 1/4	1	12 3/4	1 3/4	13
1ØR4HSSS1	9 13/16	13 1/4	1 1/4	14	2 3/16	15
1ØR6HSSS1	9 7/8	13 3/4	1 1/8	15 1/4	2 3/8	16
1ØR7HSSS2	16 9/16	24 3/8	2	21	3 1/4	55

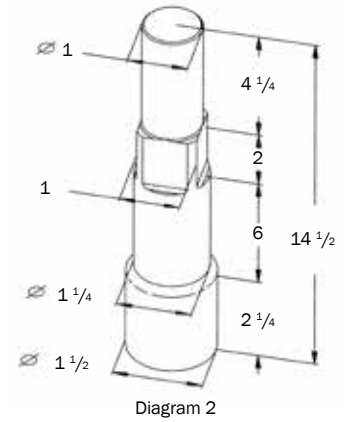
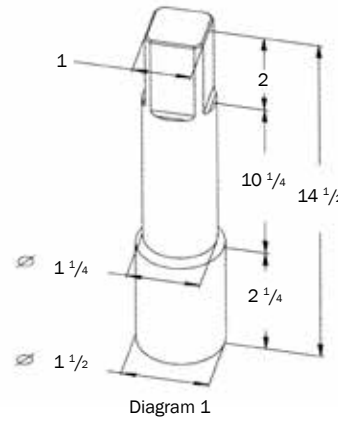
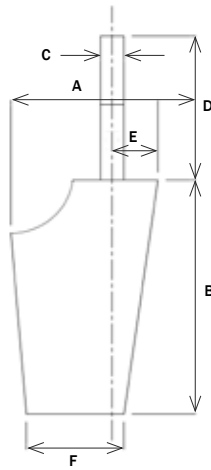
Note: All dimensions are in inches and are reference only

Rudder shafts do not come with keyways installed. Keyways can be machined upon request.
The shafts shown are stock; other shaft lengths are available upon request.



Stepped Shaft Rudders

Bronze - All rudders come with a stainless steel shaft



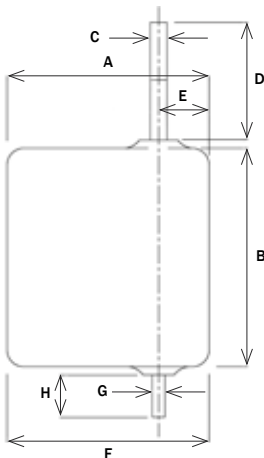
Part No.	Blade top (A)	Blade length (B)	Shaft diameter (C)	Shaft length (D)	Forward blade (E)	Blade bottom (F)	Weight (pounds)
1ØR17312RD	8 ⁵ / ₈	14 ⁷ / ₈	diagram 1	14 ¹ / ₂	1 ⁵ / ₈	7	25
1ØR1735RUD	10 ⁷ / ₈	17 ⁷ / ₈	diagram 2	14 ¹ / ₂	1 ³ / ₄	8 ¹³ / ₁₆	35

Note: All dimensions are in inches and are reference only

G

Skeg Rudders

Bronze - All skeg rudders come with a stainless steel shaft and pintle



Part No.	Blade top (A)	Blade length (B)	Shaft diameter (C)	Shaft length (D)	Forward blade (E)	Blade bottom (F)	Pintle diameter (G)	Pintle length (H)	Weight (pounds)
1ØRS2SS1.Ø	11 ¹ / ₂	14 ¹ / ₂	1	12	2	9 ¹ / ₂	1	3 ¹ / ₄	18
1ØRS5BR1.1	12	14 ³ / ₄	1 ¹ / ₈	18	3 ¹ / ₈	12	1	2	29
1ØRS12SS1	18	19	1	12	3	18	1	3 ³ / ₄	35
1ØRS13SS1	17 ³ / ₄	19 ¹ / ₂	1 ¹ / ₄	18	3	17 ³ / ₄	1	4	37
1ØRS19SS15	24	23	1 ¹ / ₂	18	3	24	1	4	79

Note: All dimensions are in inches and are reference only

Rudder shafts do not come with keyways installed. Keyways can be machined upon request.
The shafts shown are stock; other shaft lengths are available upon request.



Skeg and Reverse Skeg Bearings

Bronze

Skeg Part No.	Reverse Skeg Part No.	Bore diameter	Bore depth	Hub diameter	Overall height	Flange width	Flange length	Flange thickness	Weight (pounds)
83100	83100R	1	1	2 ³ / ₁₆	1 ³ / ₈	2 ⁷ / ₈	3 ⁷ / ₈	⁵ / ₁₆	2.50
83112	83112R	1 ¹ / ₈	1	2 ³ / ₁₆	1 ³ / ₈	2 ⁷ / ₈	3 ⁷ / ₈	⁵ / ₁₆	2.50
83125	83125R	1 ¹ / ₄	1	2 ³ / ₁₆	1 ³ / ₈	2 ⁷ / ₈	3 ⁷ / ₈	⁵ / ₁₆	2.50
83138	83138R	1 ³ / ₈	1	2 ³ / ₁₆	1 ³ / ₈	2 ⁷ / ₈	3 ⁷ / ₈	⁵ / ₁₆	2.50
83150	83150R	1 ¹ / ₂	1 ¹ / ₂	2 ³ / ₈	2 ¹ / ₁₆	3 ⁵ / ₈	5	⁷ / ₁₆	3.80
83175	83175R	1 ³ / ₄	1 ³ / ₄	2 ³ / ₈	2 ¹ / ₁₆	3 ⁵ / ₈	5	⁷ / ₁₆	5.75
83200	83200R	2	1 ³ / ₄	2 ³ / ₈	2 ¹ / ₁₆	3 ⁵ / ₈	5	⁷ / ₁₆	5.70
83225	83225R	2 ¹ / ₄	2	3	2 ¹⁵ / ₁₆	6	6	⁷ / ₁₆	11.20
83250	83250R	2 ¹ / ₂	2 ¹ / ₂	3	2 ¹⁵ / ₁₆	6	6	⁷ / ₁₆	11.15



skeg bearings



reverse skeg bearings

Note: All dimensions are in inches and are reference only

Rudder Collars

Bronze - Complete with a setscrew

Part No.	Shaft size	Outside diameter	Overall height	Weight (pounds)
ØØRC100	1	1 ³ / ₄	1	0.45
ØØRC113	1 ¹ / ₈	1 ³ / ₄	1	0.75
ØØRC125	1 ¹ / ₄	2	1	0.65
ØØRC138	1 ³ / ₈	2 ¹ / ₄	1	1.20
ØØRC150	1 ¹ / ₂	2 ⁵ / ₁₆	1 ¹³ / ₁₆	1.15
ØØRC175	1 ³ / ₄	2 ¹¹ / ₁₆	1 ¹¹ / ₁₆	1.15
ØØRC200	2	2 ¹⁵ / ₁₆	1 ⁵ / ₈	2.90
ØØRC225	2 ¹ / ₄	3 ³ / ₈	1 ⁵ / ₈	3.00
ØØRC250	2 ¹ / ₂	3 ³ / ₈	1 ⁵ / ₈	2.80
ØØRC275	2 ³ / ₄	4 ¹ / ₂	1 ¹ / ₂	6.00
ØØRC300	3	4 ¹ / ₂	2	5.50
ØØRC350	3 ¹ / ₂	5	2	6.00
ØØRC400	4	5 ¹ / ₂	2	6.61



Note: All dimensions are in inches and are reference only

G

Rudder Bearing Flanges

Bronze



round



oval



square

Part No.	Style	Shaft size	Overall height	Outside diameter	Bolt circle	Flange size W x L	Bolthole C to C	Bolt size	Weight (pounds)
ØØRBF100	round	1	1 7/64	3 7/64	2 9/16	-	-	No. 10	0.90
ØØRBF113	round	1 1/8	1 7/64	3 7/64	2 9/16	-	-	No. 10	0.80
ØØRBF125	round	1 1/4	1 7/64	3 7/64	2 9/16	-	-	No. 10	0.70
ØØRBF138	round	1 3/8	1 7/64	3 7/64	2 9/16	-	-	No. 10	0.75
ØØRBOF125	oval	1 1/4	1 1/2	-	-	2 1/16 x 5 3/8	4 5/16	3/8	0.90
ØØRBOF138	oval	1 3/8	1 5/16	-	-	2 1/16 x 5 3/8	4 5/16	3/8	0.85
ØØRBOF150	oval	1 1/2	1 13/16	-	-	2 9/16 x 5 9/16	4 13/32	3/8	1.50
ØØRBF150	square	1 1/2	1 1/8	-	-	3 11/16 x 3 11/16	2 1/2	1/2	1.05
ØØRBF175	square	1 3/4	1 1/4	-	-	3 3/4 x 3 3/4	2 7/8	1/2	1.90
ØØRBF200	square	2	1 1/4	-	-	3 3/4 x 3 3/4	2 7/8	1/2	1.65
ØØRBF225	square	2 1/4	1 1/4	-	-	4 11/16 x 4 11/16	3 1/4	1/2	2.60
ØØRBF250	square	2 1/2	1 1/4	-	-	4 11/16 x 4 11/16	3 1/4	1/2	2.80
ØØRBF275	square	2 3/4	1 5/16	-	-	5 3/4 x 5 3/4	4 1/4	1/2	6.50
ØØRBF300	square	3	1 5/16	-	-	5 3/4 x 5 3/4	4 1/4	1/2	6.20

Note: All dimensions are in inches and are reference only

G

Rudder Ports

Bronze - Inside mount - Rectangular flange - Complete with packing nut and lock nut



lock nut



packing spud



backing plate

Part No.	Shaft size	Packing size	Length under flange	Flange size W x L	Bolthole C to C	Bolt size	Weight (pounds)	Replacement Lock Nut Part No.	Replacement Packing Spuds Part No.	Replacement Backing Plates Part No.
ØØRP138	1 3/8	5/16	5	3 3/4 x 7	2 1/4 x 5 1/4	1/2	9.15	ØØ138PBN	ØØ138PBS	ØØRPBP150
ØØRP150	1 1/2	1/4	5	3 3/4 x 7	2 1/4 x 5 1/4	1/2	8.70	ØØ138PBN	ØØ150PBS	ØØRPBP150
ØØRP175	1 3/4	7/16	5	4 1/8 x 7 1/8	2 1/2 x 5 1/2	1/2	13.30	ØØ175PBN	ØØ175PBS	ØØRPBP175
ØØRP200	2	3/8	5	4 1/8 x 7 1/8	2 1/2 x 5 1/2	1/2	13.00	ØØ175PBN	ØØ200PBS	ØØRPBP175
ØØRP225 ¹	2 1/4	3/8	7	6 x 10	-	-	17.00	ØØRPN225	ØØRPS225	-
ØØRP250 ¹	2 1/2	3/8	8 1/2	6 x 12	-	-	43.00	ØØ225PBN	ØØ250PBS	-
ØØRP275 ¹	2 3/4	9/16	5	6 1/4 x 10 3/4	4 1/4 x 8 3/4	1/2	40.00	ØØ300PBN	ØØ275PBS	-
ØØRP300 ¹	3	11/16	5	6 1/4 x 10 3/4	4 1/4 x 8 3/4	1/2	38.00	ØØ300PBN	ØØ300PBS	-

Note: All dimensions are in inches and are reference only

1 These come without baseholes machined



Dripless Rudder Port Spuds

Fits most rudder ports - Made of cast bronze - Complete with retaining ring, lip seal and o-ring

Part No.	Shaft size	Outside diameter	Hex size	Height
ØØPB125LS	1 1/4	2 1/2	2 3/16	2
ØØPB150LS	1 1/2	2 15/16	2 3/16	2 1/8
ØØPB175LS	1 3/4	3 1/2	2 7/8	2 1/2
ØØPB200LS	2	3 5/8	3 1/8	2 7/16

Note: All dimensions are in inches and are reference only



Tournament Rudder Ports

Bronze - Inside mount - Rectangular flange - Complete with packing nut and lock nut

Part No.	Shaft size	Packing size	Length under flange	Flange width	Flange length	Barrel diameter	Weight (pounds)	Replacement Lock Nuts Part No.	Replacement Packing Spuds Part No.
82125	1 1/4	1/4	3	4 1/4	4 1/4	1 5/8	10.00	ØØ125PBN	86125S
82138	1 3/8	9/16	3 1/16	4 1/2	7 1/8	2 1/4	14.25	82138N	82138S
82150	1 1/2	7/16	3 1/16	4 1/2	7 1/8	2 1/4	14.20	82138N	82150S
82175	1 3/4	1/2	1 5/8	4 1/2	6 5/8	2 1/2	22.50	ØØ175PBN	82175S
82200	2	3/8	1 5/8	4 1/2	6 5/8	2 5/8	22.45	ØØ175PBN	82200S
82225	2 1/4	9/16	1 3/4	4 1/2	6 5/8	3 1/4	22.40	82225N	82225S
82250	2 1/2	5/16	1 3/4	4 7/8	9	3 1/4	32.00	ØØ225PBN	82250S

Note: All dimensions are in inches and are reference only



G

Tournament Rudder Ports

Bronze - Inside mount - Rectangular flange - Complete with packing nut and lock nut

Part No.	Shaft size	Packing size	Length under flange	Flange width	Flange length	Barrel diameter	Weight (pounds)	Replacement Lock Nuts Part No.	Replacement Packing Spuds Part No.
86125	1 1/4	1/4	3	4 1/4	4 1/4	1 5/8	7.00	ØØ125PBN	86125S
86138	1 3/8	9/16	3	4 1/2	7 1/8	2 1/4	16.50	82138N	82138S
86150	1 1/2	7/16	3	4 1/2	7 1/8	2 1/4	16.20	82138N	82150S
86200	2	3/8	4 3/8	4 1/2	8 1/4	3	24.00	ØØ175PBN	82200S
86225	2 1/4	9/16	4 3/8	4 1/2	8 1/4	3 1/4	23.90	82225N	82225S

Note: All dimensions are in inches and are reference only



Tournament Rudder Ports

Bronze - Inside mount - Rectangular flange - Complete with packing nut and lock nut



backing plate

Part No.	Shaft size	Packing size	Length under flange	Flange W x L	Bolthole C to C	Bolt size	Weight (pounds)
290520M	1 1/4	3/4	5	4 1/8 x 7 1/8	2 1/2 x 5 1/2	1/2	18.00
290522M	1 3/8	5/8	5	4 1/8 x 7 1/8	2 1/2 x 5 1/2	1/2	17.50
290524M	1 1/2	9/16	5	4 1/8 x 7 1/8	2 1/2 x 5 1/2	1/2	17.00

Note: All dimensions are in inches and are reference only

Replacement Parts

Part No.	Lock Nut Part No.	Packing Spuds Part No.	Backing Plates Part No.	Back Plates weight (pounds)
290520M	00175PBN	00175PBS20	00RPBP175	2
290522M	00175PBN	00175PBS22	00RPBP175	2
290524M	00175PBN	00175PBS24	00RPBP175	2

G



Tournament Rudder Port

Bronze - Inside mount - Oval flange - Complete with packing gland and lock nut

Part No.	Shaft size	Packing size	Length under flange	Flange W x L	Bolthole C to C	Bolt size	Weight (pounds)	Replacement Lock Nut Part No.	Replacement Packing Spud Part No.
2875	3/4	3/16	7/16	1 3/4 x 4	2 3/4	3/8	1.40	2875N	2875S

Note: All dimensions are in inches and are reference only

Tournament Rudder Ports

Bronze - Inside mount - Square flange - Low profile - Gland style - Complete with packing gland and two (2) nuts on each stud



Part No.	Shaft size	Packing size	Length under flange	Flange size squared	Barrel diameter	Weight (pounds)
88138	1 3/8	5/16	1 1/8	4 3/4	2 5/8	8.70
88150	1 1/2	1/4	1 1/8	4 3/4	2 5/8	8.60
88175	1 3/4	1/2	1 5/8	5 5/8	3 3/4	15.80
88200	2	3/8	1 5/8	5 5/8	3 3/4	15.70

Note: All dimensions are in inches and are reference only

Rudder Ports

Bronze - Inside mount - Square flange - Complete with packing nut and lock nut

Part No.	Shaft size	Packing size	Length under flange	Flange size W x L	Bolthole C to C	Bolt size	Weight (pounds)
ØØRP1ØØ	1	¼	4 ½	3 ⅞	2 ¾	¾	3.15
ØØRP1ØØL	1	¼	2 ⅞	3 ½	2 ¾	¾	2.45
ØØRP113	1 ⅛	⅜	4 ½	3 ⅞	2 ¾	¾	3.00
ØØRP125	1 ¼	¼	4	4 ¼	3 ⅛	¾	5.00
ØØRP125L	1 ¼	¼	3	4 ¼	3 ⅛	¾	4.00
ØØRP125Ø6	1 ¼	¼	6	4 ¼	3 ⅛	¾	6.00
ØØRP15ØS	1 ½	¼	5	4 ½	3 ¾	½	12.00

Note: All dimensions are in inches and are reference only

Replacement Parts

Part No.	Lock Nut Part No.	Packing Spuds Part No.	Backing Plates Part No.	Back Plates weight (pounds)
ØØRP1ØØ	ØØ1ØØPBN	ØØ1ØØPBS	ØØRPBP1ØØ	0.65
ØØRP1ØØL	ØØ1ØØPBN	ØØ1ØØPBS	ØØRPBP1ØØA	0.65
ØØRP113	ØØ1ØØPBN	ØØ113PBS	ØØRPBP1ØØ	0.65
ØØRP125	ØØ125PBN	ØØ125PBS	ØØRPBP125	1.15
ØØRP125L	ØØ125PBN	ØØ125PBS	ØØRPBP125	1.15
ØØRP125Ø6	ØØ125PBN	ØØ125PBS	ØØRPBP125	1.15
ØØRP15ØS	ØØ138PBN	ØØ15ØPBS	ØØRPBP15ØS	0.65



backing plate

G

Tournament Rudder Ports

Bronze - Inside mount - Square flange - Complete with packing nut and lock nut

Part No.	Shaft size	Packing size	Length under flange	Flange size square	Bolthole C to C	Bolt size	Weight (pounds)
29Ø2	1 ¼	¼	3 ½	4 ⅛	2 ⅞	¾	4.40
29Ø3	1 ⅜	⅝	3 ½	4 ⅛	2 ⅞	¾	4.20
29Ø4	1 ½	¼	3 ⅞	4	2 ⅞	¾	4.20

Note: All dimensions are in inches and are reference only

Replacement Parts

Part No.	Replacement Lock Nuts Part No.	Replacement Packing Spuds Part No.	Replacement Backing Plate Part No.	Backing plate weight (pounds)
29Ø2	ØØ125PBN	ØØ125PBS	29Ø2BP	0.85
29Ø3	ØØ138PBN	ØØ138PBS	29Ø2BP	0.85
29Ø4	ØØ138PBN	ØØ15ØPBS	29Ø2BP	0.85



backing plate

Rudder Ports

Bronze - Inside mount - Oval flange - Complete with packing nut and lock nut



Part No.	Shaft size	Packing size	Length under flange	Flange size W x L	Bolthole C to C	Bolt size	Weight (pounds)	Replacement Lock Nuts Part No.	Replacement Packing Spuds Part No.
ØØRP010Ø	1	1/4	3 1/16	2 5/8 x 4 5/16	3	3/8	3.00	ØØ10ØPBN	ØØ10ØPBS
ØØRP0113	1 1/8	3/16	3 1/16	2 5/8 x 4 5/16	3	3/8	2.85	ØØ10ØPBN	ØØ113PBS
ØØRP0125	1 1/4	1/4	4 3/16	3 x 5 7/8	4 1/4	1/2	5.00	ØØ125PBN	ØØ125PBS
ØØRP0138	1 3/8	3/16	4 3/16	3 x 5 7/8	4 1/4	1/2	5.00	ØØ125PBN	ØØ125PBS38
ØØRP015Ø	1 1/2	1/4	3 3/4	3 13/16 x 6 5/8	5 1/8	1/2	6.00	ØØ125PBN	ØØ15ØPBS

Note: All dimensions are in inches and are reference only

Rudder Ports

Bronze - Outside mount - Square flange - Complete with packing nut and lock nut



Part No.	Shaft size	Packing size	Length above flange	Flange size squared	Bolthole C to C	Bolt size	Weight (pounds)
ØØRP10ØA	1	1/4	3 5/8	3 1/2	2 3/8	3/8	4.00
ØØRP113A	1 1/8	3/16	3 5/8	3 1/2	2 3/8	3/8	4.00
ØØRP125A	1 1/4	1/4	6 1/8	4 3/8	3 1/16	3/8	6.00
ØØRP138A	1 3/8	3/16	6 1/8	4 3/8	3 1/16	3/8	6.00
ØØRP15ØA	1 1/2	1/4	5	5 1/8	3 1/4	3/8	14.30
ØØRP175A	1 3/4	5/16	4 31/32	5 1/8	3 1/4	3/8	15.00
ØØRP20ØA	2	3/8	4 7/8	5 1/8	3 1/4	1/2	18.00
ØØRP225A	2 1/4	7/16	6 1/2	6	4 1/2	1/2	22.50
ØØRP25ØA	2 1/2	5/16	6 1/2	6	4 3/4	1/2	21.00
ØØRP30ØA	3	9/16	6 1/2	6 3/4	4 3/4	1/2	30.00

Note: All dimensions are in inches and are reference only

Replacement Parts

Part No.	Lock Nut Part No.	Packing Spuds Part No.	Backing Plates Part No.	Back Plates weight (pounds)
ØØRP10ØA	ØØ10ØPBN	ØØ10ØPBS	ØØRPBP10ØA	0.40
ØØRP113A	ØØ10ØPBN	ØØ113PBS	ØØRPBP113A	0.90
ØØRP125A	ØØ125PBN	ØØ125PBS	ØØRPBP125A	1.15
ØØRP138A	ØØ125PBN	ØØ125PBS38	ØØRPBP125A	1.15
ØØRP15ØA	ØØ138PBN	ØØ15ØPBS	ØØRPBP15ØA	1.75
ØØRP175A	ØØ175PBN	ØØ175PBSOY	ØØRPBP17520ØA	1.75
ØØRP20ØA	ØØ175PBN	ØØ20ØPBS	ØØRPBP17520ØA	1.75
ØØRP225A	ØØ225PBN	ØØ225PBS	ØØRPBP225A	6.00
ØØRP25ØA	ØØ225PBN	ØØ25ØPBS	ØØRPBP25ØA	6.00
ØØRP30ØA	ØØ30ØPBN	ØØ30ØPBS	ØØRPBP30ØA	6.00

backing plate

Rudder Ports

Bronze - Outside mount - Rectangular flange - Complete with packing nut and lock nut

Part No.	Shaft size	Packing size	Length above flange	Flange W x L	Bolthole C to C	Bolt size	Weight (pounds)
1ØRP1ØØACC	1	1/4	4 1/8	3 1/4 x 4	2 1/4 x 3	3/8	3.65
1ØRP125ACC	1 1/4	1/4	4 3/8	3 1/4 x 4	2 1/4 x 3	3/8	4.00

Note: All dimensions are in inches and are reference only

Replacement Parts

Part No.	Lock Nut Part No.	Packing Spuds Part No.	Backing Plates Part No.	Back Plates weight (pounds)
1ØRP1ØØACC	ØØ1ØØPBN	ØØ1ØØPBS	ØØRPBP12CC	1.25
1ØRP125ACC	ØØ125PBN	ØØ125PBS	ØØRPBP12CC	1.25



backing plate

Rudder Ports

Bronze - Outside mount - Square flange - Angled - Complete with packing nut and lock nut

Part No.	Shaft size	Packing size	Length above flange	Flange size square	Flange angle	Bolthole C to C	Bolt size	Weight (pounds)
ØØRP125B	1 1/4	1/4	6	4 1/2	85°	3 1/16	3/8	6.00
ØØRP125B12	1 1/4	1/4	6 1/8	4 1/8	12°	2 7/8	1/2	6.25
ØØRP125B17	1 1/4	1/4	4 5/16	5 1/8	17°	3 1/4	7/16	11.00
ØØRP138B	1 3/8	3/16	6	4 1/2	85°	3 1/16	3/8	6.00
ØØRP15ØA12	1 1/2	1/4	7	4 1/8	12°	2 7/8	1/2	6.90

Note: All dimensions are in inches and are reference only

Replacement Parts

Part No.	Replacement Lock Nuts Part No.	Replacement Packing Spuds Part No.	Replacement Backing Plate Part No.	Backing plate weight (pounds)
ØØRP125B	ØØ125PBN	ØØ125PBS	ØØRPBP125	1.15
ØØRP125B12	ØØ125PBN	ØØ125PBS	ØØRPBP15ØS	1.15
ØØRP125B17	ØØ125PBN	ØØ125PBS	32ØØ28BP	1.20
ØØRP138B	ØØ125PBN	ØØ125PBS38	ØØRPBP125	1.15
ØØRP15ØA12	ØØ138PBN	ØØ15ØPBS	ØØRPBP15ØS	0.65



backing plate

G

Rudder Port Backing Plate

Bronze - Square and rectangular



Part No.	Style	Plate dimensions	Weight (pounds)
ØØRPBP15Ø	rectangular	3 ³ / ₄ × 6 ³ / ₄	1.80
ØØRPBP175	rectangular	4 ¹ / ₈ × 7 ¹ / ₄	2.00
ØØRPBP1ØØA	square	3 ¹ / ₄ × 3 ¹ / ₄	0.40
ØØRPBP1ØØ	square	3 ³ / ₄ × 3 ³ / ₄	0.65
29Ø2BP	square	4 × 4	0.85
ØØRPBP125	square	4 ³ / ₈ × 4 ³ / ₈	1.15
ØØRPBP15ØS	square	4 ¹ / ₂ × 4 ¹ / ₂	0.65
ØØRPBP15ØA	square	5 × 5	1.75
ØØRPBP1752ØØA	square	5 × 5	1.75
ØØRPBP25ØA	square	6 × 6	6.00

Note: All dimensions are in inches and are reference only

Tiller Arms

Bronze - Complete with pinch bolt, nut and a setscrew



Part No.	Shaft size	Overall length	Max C to C	Keyway size	Weight (pounds)
1ØTA1ØX7ØØ	1	9 ⁷ / ₁₆	7	¹ / ₄	1.45
1ØTA11X7ØØ	1 ¹ / ₈	9 ⁷ / ₁₆	7	¹ / ₄	1.40
1ØTA12X7ØØ	1 ¹ / ₄	9 ¹ / ₄	7	¹ / ₄	2.60
MACKAYTA125X7ØØ	1 ¹ / ₄	9 ¹ / ₄	7	⁵ / ₁₆	2.60
1ØTA12X9ØØ	1 ¹ / ₄	11 ⁷ / ₁₆	9	¹ / ₄	2.80
1ØTA13X7ØØ	1 ³ / ₈	9 ¹ / ₄	7	⁵ / ₁₆	2.60
MACKAYTA138X7ØØ	1 ³ / ₈	9 ¹ / ₄	7	⁵ / ₁₆	2.60
1ØTA13X9ØØ	1 ³ / ₈	11 ⁷ / ₁₆	9	¹ / ₄	2.80
1ØTA15X1ØØ	1 ¹ / ₂	15 ⁹ / ₁₆	12	³ / ₈	5.00
1ØTA17X1ØØ	1 ³ / ₄	15 ⁹ / ₁₆	12	³ / ₈	5.00
MACKAYTA175X1ØØ	1 ³ / ₄	15 ⁹ / ₁₆	12	⁷ / ₁₆	5.00
1ØTA2ØX1ØØ	2	15 ⁵ / ₈	12	³ / ₈	5.50
MACKAYTA2ØØX1ØØ	2	15 ³ / ₄	12	¹ / ₂	5.50
1ØTA22X17Ø	2 ¹ / ₄	16 ⁷ / ₈	13	¹ / ₂	7.00
MACKAYTA225X17Ø	2 ¹ / ₄	17	13	⁹ / ₁₆	7.00
1ØTA25X17Ø	2 ¹ / ₂	16 ⁷ / ₈	13	¹ / ₂	7.00
MACKAYTA25ØX17Ø	2 ¹ / ₂	16 ⁷ / ₈	13	⁵ / ₈	7.00

Note: All dimensions are in inches and are reference only

Heavy Duty Tiller Arms

Bronze - Complete with two (2) pinch bolts, nuts and a setscrew

Part No.	Shaft size	Overall length	Max C to C	Keyway size	Weight (pounds)
1ØTA2ØX14H	2	20 ³ / ₄	13	³ / ₈	17.00
1ØTA22X14H	2 ¹ / ₄	20 ³ / ₄	16	¹ / ₂	17.80
1ØTA25X14H	2 ¹ / ₂	20 ³ / ₄	16	⁵ / ₈	17.10
1ØTA27X16HD	2 ³ / ₄	21 ¹ / ₈	16	⁵ / ₈	24.00
1ØTA3ØX16HD	3	21 ¹ / ₈	16	³ / ₄	23.50

Note: All dimensions are in inches and are reference only



Tournament Tiller Arms

Bronze - Complete with pinch bolt, nut and a setscrew

Part No.	Shaft size	Overall length	Max C to C	Keyway size	Weight (pounds)
811ØØ	1	12	9 ⁵ / ₈	¹ / ₄	5.00
81125	1 ¹ / ₄	12	9 ⁵ / ₈	¹ / ₄	5.00
81138	1 ³ / ₈	11 ³ / ₄	9 ¹ / ₂	¹ / ₄	7.30
8115Ø	1 ¹ / ₂	11 ³ / ₄	9 ¹ / ₂	³ / ₈	7.20
81175	1 ³ / ₄	20	8 ⁹ / ₁₆	³ / ₈	7.10
812ØØ	2	20	8 ⁹ / ₁₆	³ / ₈	7.00

Note: All dimensions are in inches and are reference only



G

Split Head Tiller Arms

Bronze - Complete with two (2) pinch bolts and nuts

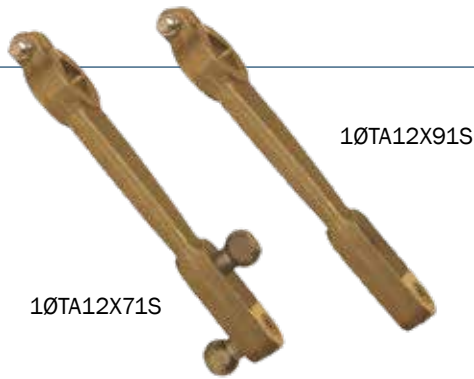
Part No.	Shaft size	Overall length	Max C to C	Keyway size	Weight (pounds)
1ØTA12X13Ø	1 ¹ / ₄	15 ¹ / ₂	13	¹ / ₄	6.40
1ØTA13X13Ø	1 ³ / ₈	15 ¹ / ₂	13	¹ / ₄	6.20
1ØTA15X13Ø	1 ¹ / ₂	15 ¹ / ₂	13	³ / ₈	6.00
1ØTA17X13Ø	1 ³ / ₄	15 ¹ / ₂	13	³ / ₈	10.00
1ØTA2ØX13Ø	2	15 ¹ / ₂	13	³ / ₈	10.00

Note: All dimensions are in inches and are reference only



Tiller Arms Machined for a Square Shaft

Bronze - Complete with pinch bolt and nut



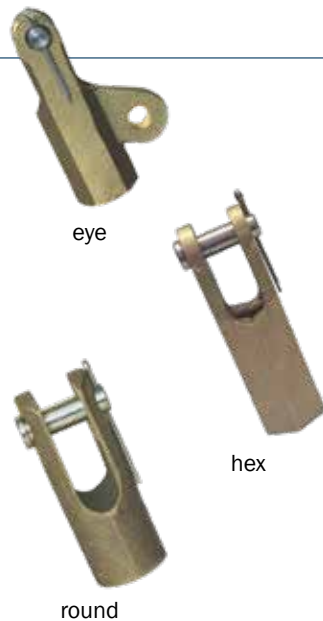
Part No.	Shaft size square	Overall length	Max C to C	Weight (pounds)
1ØTA12X71S ¹	1	10 ⁵ / ₁₆	6 and 8	2.20
1ØTA12X91S	1 ¹ / ₄	13 ³ / ₁₆	7 ¹ / ₄ and 9 ¹ / ₄	7.00
1ØTA16X91S	1 ⁵ / ₈	14 ¹³ / ₁₆	8 and 11 ¹ / ₄	8.00

Note: All dimensions are in inches and are reference only

¹ This tiller arm includes two (2) stainless steel balls at 6 inch and 8 inch centers. It is available without balls upon request

Clevises

Bronze - Complete with stainless steel clevis and cotter pin



Part No.	Style	Thread size	Overall length	Pin hole diameter	Between jaw size	Weight (pounds)
ØØCL75WEYE	eye	³ / ₄ - 14 NPSM	4 ³ / ₄	¹ / ₂	¹¹ / ₁₆	1.20
ØØCL75LT	hex	³ / ₄ - 14 NPSM	4 ³ / ₄	¹ / ₂	¹¹ / ₁₆	1.10
ØØCL5Ø	round	¹ / ₂ - 14 NPT	3 ¹⁵ / ₃₂	¹ / ₂	³ / ₄	0.70
ØØCL75	round	³ / ₄ - 14 NPT	4 ³ / ₁₆	¹ / ₂	¹⁷ / ₃₂	1.15
ØØCL75E	round	³ / ₄ - 14 NPT	4 ³ / ₁₆	¹ / ₂	⁵ / ₈	1.15
ØØCL1ØØ	round	1 - 11 ¹ / ₂ NPT	4 ³ / ₄	¹ / ₂	⁷ / ₈	1.80
ØØCL1ØØHD	round	1 - 11 ¹ / ₂ NPSM	6	³ / ₄	⁷ / ₈	3.00

Note: All dimensions are in inches and are reference only

Clevis Pins

Stainless steel



Part No.	Pin diameter	Overall pin length under flange	Weight (pounds)
7ØCLPIN15Ø	¹ / ₂	1 ⁵ / ₈	0.10
7ØCLPIN175	¹ / ₂	1 ⁷ / ₈	0.10
7ØCLPIN2ØØ	¹ / ₂	2	0.15
7ØCLPIN225	¹ / ₂	2 ¹ / ₄	0.15
7ØCL1ØØHDP	³ / ₄	2 ¹ / ₂	0.15

Note: All dimensions are in inches and are reference only

Swivel Sockets

Bronze - Complete with cotter pin and setscrew



Part No.	Thread size	Overall length	Ball opening	Weight (pounds)
ØØSWS5Ø	1/2 - 14 NPSM	5	1	1.10
ØØSWS75	3/4 - 14 NPSM	5	1	1.10

Note: All dimensions are in inches and are reference only

Threaded Balls

Stainless steel - Complete with two (2) nuts

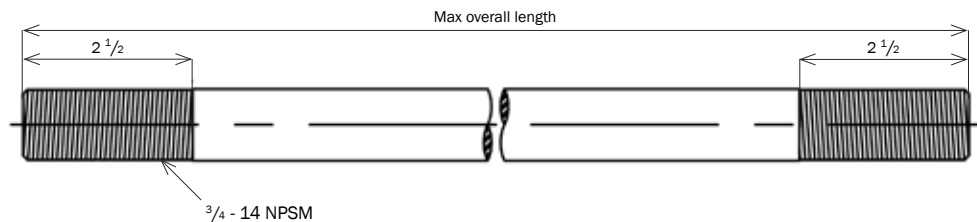


Part No.	Ball diameter	Overall length	Thread size	Weight (pounds)
7ØTHDBALL	1	3 1/8	1/2 - 13 UN 3A x 1 1/2	1.20

Note: All dimensions are in inches and are reference only

Tie Bars

Stainless steel 304



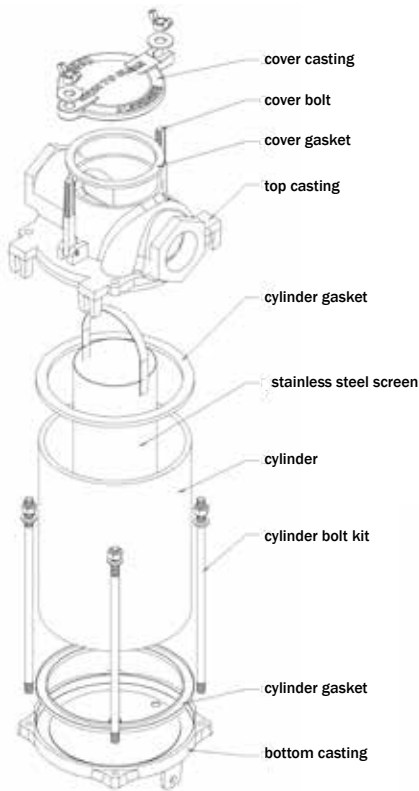
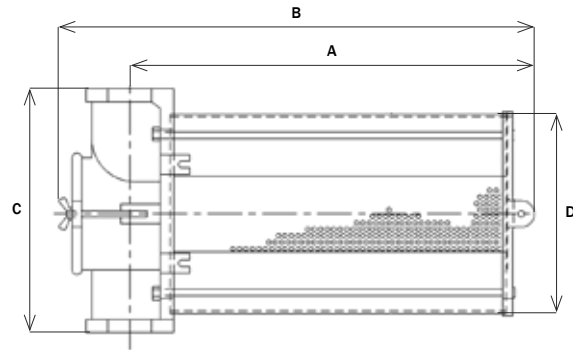
Part No.	Max overall length	Thread size	Thread length
TIEBAR3FT	3 feet	3/4 - 14 NPSM	2 1/2
TIEBAR4FT	4 feet	3/4 - 14 NPSM	2 1/2
TIEBAR5FT	5 feet	3/4 - 14 NPSM	2 1/2
TIEBAR6FT	6 feet	3/4 - 14 NPSM	2 1/2

Note: All dimensions are in inches and are reference only

G

Basket Strainers

Bronze - Complete with stainless steel and polycarbonate cylinder for easy viewing



Part No.	Thread size NPT	Center to End (A)	Overall length (B)	Overall width (C)	Diameter of cylinder (D)	Weight (pounds)
ØØISB5Ø	1/2	7 1/2	9 5/8	4 3/8	3 1/2	4.60
ØØISB75	3/4	7 7/8	9 3/4	4 1/2	3 1/2	4.60
ØØISB1ØØ	1	7 7/8	10 1/4	5 1/2	4 1/4	7.30
ØØISB125	1 1/4	8 3/4	10 3/4	5 1/2	4 7/8	7.30
ØØISB15Ø	1 1/2	10 1/2	13 1/4	7 3/8	6 3/8	13.20
ØØISB2ØØ	2	15 1/8	18 3/8	7 5/8	6 1/2	17.60
ØØISB25Ø	2 1/2	15	18	7 5/8	5 7/8	17.60

Note: All dimensions are in inches and are reference only
 Failure to properly winterize may cause damage to strainer
 Perforated screen hole size is 0.075 inch



Replacement Basket

Part No.	Stainless Steel Basket Part No.	Overall height (includes handle)	Diameter of basket	Height of basket
ØØISB5Ø	7ØISBWSB5Ø	7 3/4	1 11/16	6 1/4
ØØISB75	7ØISBWSB75	7 3/4	1 11/16	6 1/4
ØØISB1ØØ	7ØISBWSB1ØØ	8	2 7/16	5 7/8
ØØISB125	7ØISBWSB125	8 5/16	2 7/16	6 3/16
ØØISB15Ø	7ØISBWSB15Ø	11	3 3/16	8 5/16
ØØISB2ØØ	7ØISBWSB2ØØ	15 3/4	3 3/16	12 3/8
ØØISB25Ø	7ØISBWSB25Ø	15 3/4	3 3/16	12 3/8



basket

Other Replacement Parts

Part No.	Cover Casting Part No.	Top Casting Part No.	Bottom Casting Part No.	Cover Bolt Part No.	Cylinder Bolt Kit Part No.	Cover Gasket Part No.	Cylinder Gasket Part No.	Cylinder Part No.
ØØISB5Ø	ØØISBWSCØ5Ø	ØØISBWSTC5Ø	ØØISBWSBC5Ø	ØØISBWSCB5Ø	ØØISBWSCBOLT5Ø	CØISBWSCG5Ø	CØISBWSCGC5Ø	DØISBWSC5Ø
ØØISB75	ØØISBWSCØ75	ØØISBWSTC75	ØØISBWSBC75	ØØISBWSCB75	ØØISBWSCBOLT75	CØISBWSCG75	CØISBWSCGC75	DØISBWSC75
ØØISB1ØØ	ØØISBWSCØ1ØØ	ØØISBWSTC1ØØ	ØØISBWSBC1ØØ	ØØISBWSCB1ØØ	ØØISBWSCBOLT1ØØ	CØISBWSCG1ØØ	CØISBWSCGC1ØØ	DØISBWSC1ØØ
ØØISB125	ØØISBWSCØ125	ØØISBWSTC125	ØØISBWSBC125	ØØISBWSCB125	ØØISBWSCBOLT125	CØISBWSCG125	CØISBWSCGC125	DØISBWSC125
ØØISB15Ø	ØØISBWSCØ15Ø	ØØISBWSTC15Ø	ØØISBWSBC15Ø	ØØISBWSCB15Ø	ØØISBWSCBOLT15Ø	CØISBWSCG15Ø	CØISBWSCGC15Ø	DØISBWSC15Ø
ØØISB2ØØ	ØØISBWSCØ2ØØ	ØØISBWSTC2ØØ	ØØISBWSBC2ØØ	ØØISBWSCB2ØØ	ØØISBWSCBOLT2ØØ	CØISBWSCG2ØØ	CØISBWSCGC2ØØ	DØISBWSC2ØØ
ØØISB25Ø	ØØISBWSCØ25Ø	ØØISBWSTC25Ø	ØØISBWSBC25Ø	ØØISBWSCB25Ø	ØØISBWSCBOLT25Ø	CØISBWSCG25Ø	CØISBWSCGC25Ø	DØISBWSC25Ø

Note: Bolts come with wing nut and washer

Intake Water Strainers

Bronze - Low Profile

Part No.	Overall length	Overall height	Hose size	Thread NPT	Outside diameter	Weight (pounds)
ØØLPWS125C	10 ³ / ₄	4 ¹ / ₂	1 ¹ / ₄	³ / ₄	7 ¹ / ₂	9
ØØLPWS125S	10 ³ / ₄	4 ¹ / ₂	1 ¹ / ₄	³ / ₄	7 ¹ / ₂	9
ØØLPWS15ØC	8 ³ / ₄	4 ¹ / ₂	1 ¹ / ₂	1	7 ¹ / ₂	9
ØØLPWS15ØS	8 ³ / ₄	4 ¹ / ₂	1 ¹ / ₂	1	7 ¹ / ₂	9

Note: All dimensions are in inches and are reference only
Failure to properly winterize may cause damage to strainer



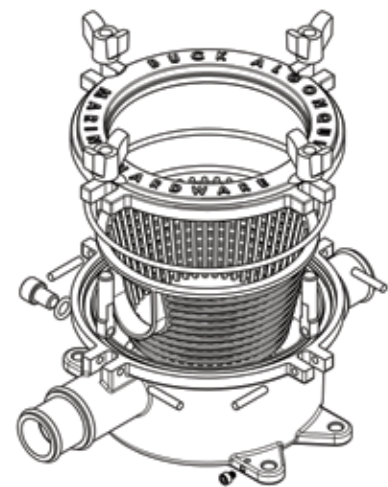
Replacement Parts

Description	Replacement Part No.
basket	ØØLPWSB
swing bolt	ØØLPWSBOLT
drain plug	ØØLPWSDP
drain plug o-ring	ØØLPWSDPORING
grounding screw	ØØLPWSGS
clear lid ring	ØØLPWSLIDC
solid lid	ØØLPWSLIDS
large o-ring	ØØLPWSORING
pin	ØØLPWSPIN
wing nut	ØØLPWSWN
clear polycarbonate lid	DØLPWSLIDCT



clear lid

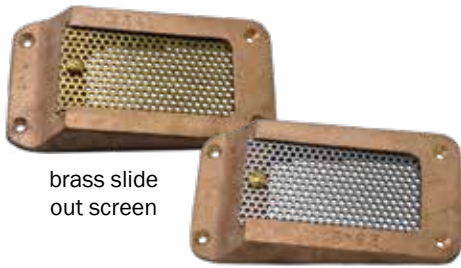
solid lid



H

Rectangular Scoop Strainers

Bronze or Stainless Steel - Slide out or surface mount screens - Complete with perforated screens

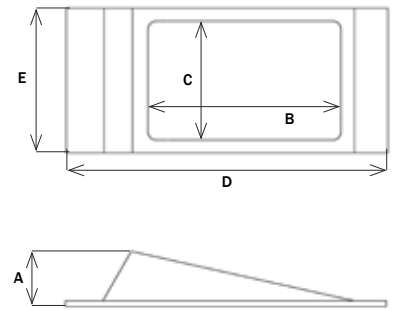


bronze slide out screen



stainless steel surface mount screen

stainless steel slide out screen



Bronze Part No.	Stainless Steel Part No.	Screen type	Max thru hull	Dim. A	Dim. B	Dim. C	Dim. D	Dim. E	Weight (pounds)
2349	2349SP	slide out	1 1/4	1	3 5/8	2 1/8	6 1/2	3 1/2	1.40
ØØRSS655P	ØØRSS655SP	slide out	2	1 3/4	5 3/4	3	10 3/8	4 1/2	3.05
ØØRSS110ØP	ØØRSS110ØSP	slide out	3	2 1/8	9	4 3/16	12 3/4	5 7/8	4.55
2352	2352SP	slide out	4	2 1/8	10 3/8	5 1/2	14	7	6.40
-	ØØRSS65ØP	surface mount	2	1 3/4	5 9/16	3	9 13/16	4 1/2	2.70
-	ØØRSS10ØØP	surface mount	3	2 1/16	8 5/16	4 1/2	14	6 1/8	4.20

Note: All dimensions are in inches and are reference only

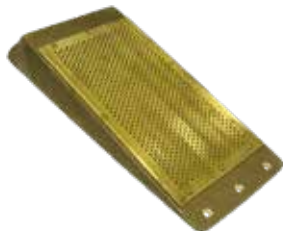
H

Positive Flow Rectangular Scoop Strainers

Brass - Slide out or surface mount screens - Complete with brass positive flow screens - Holes are drilled 1/8 inch on a 45° angle



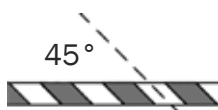
brass slide out screen



brass surface mount screen

Part No.	Screen type	Max thru hull	Dim. A	Dim. B	Dim. C	Dim. D	Dim. E	Weight (pounds)
2349PF	slide out	1 1/4	1 1/16	3 5/8	2 1/8	6 5/8	3 3/4	1.80
ØØRSS655PF	slide out	2	1 5/8	6 1/8	3	10 1/4	4 5/8	3.10
ØØRSS110PF	slide out	3	2 1/8	9	4 3/16	12 3/4	5 7/8	4.50
2352PF	slide out	4	2 1/8	10 1/4	5 5/16	14	7 1/16	6.50
2355	slide out	4	3 3/8	15 9/32	6 19/32	21 1/2	8 1/2	21.10
2353PF	slide out	6	3 11/16	15 1/2	8 1/16	21 1/2	10 13/32	21.26
ØØRSS10ØPF	surface mount	3	2 1/16	8 5/16	4 1/2	14	6 1/8	4.20

Note: All dimensions are in inches and are reference only



Rectangular Scoop Strainers Screen Replacements

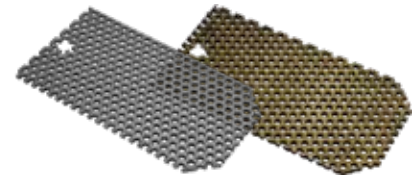
Bronze or Stainless steel - Slide out or surface mount screens

Brass Screen Part No.	Stainless Steel Screen Part No.	Screen type	Screw Part No.	Screw size	Overall width	Overall length	Weight (pounds)
2349S	2349SP	slide out	-	-	2 ⁷ / ₁₆	4 ¹ / ₂	0.30
ØØRSS655PS	7ØRSS65SPS	slide out	-	-	3 ¹ / ₂	7 ¹ / ₈	0.50
ØØRSS11ØPS	7ØRSS11SPS	slide out	-	-	4 ³ / ₄	10 ¹ / ₄	0.95
2352S	2352SPS	slide out	-	-	6	11 ¹ / ₄	1.25
-	-	-	ØØRSSCREW	¹ / ₄ - 20	-	-	-

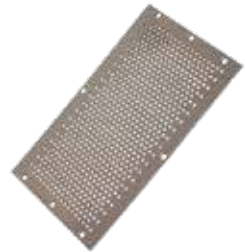
Note: All dimensions are in inches and are reference only

Screen Part No.	Screen type	Screw Part No.	Screw size	Overall width	Overall length	Weight (pounds)
ØØRSS65ØPS	surface mount	-	-	4 ¹ / ₈	6 ⁷ / ₁₆	0.40
ØØRSS1ØØPS	surface mount	-	-	5 ¹ / ₂	9 ¹ / ₂	0.70
-	-	7ØRSSCREW	8 - 32	-	-	-

Note: All dimensions are in inches and are reference only



stainless steel slide out screen
brass slide out screen



stainless steel surface mount screen

Positive Flow Rectangular Scoop Strainers Screen Replacements

Brass - Slide out or surface mount screens

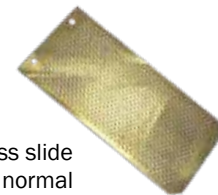
Screen Part No.	Screen type	Screw Part No.	Screw size	Overall width	Overall length	Weight (pounds)
2349PFS	slide out normal	-	-	2 ³ / ₈	4 ³ / ₈	0.30
ØØRSS655PFS	slide out normal	-	-	3 ¹ / ₂	7 ¹ / ₄	0.50
ØØRSS11PFS	slide out normal	-	-	4 ³ / ₄	10	0.95
2352SPF	slide out normal	-	-	6	11 ⁵ / ₁₆	1.25
2355PFS	slide out normal	-	-	6 ³ / ₄	17 ¹ / ₈	2.00
VP45Ø271	slide out cross section	-	-	6 ³ / ₄	17 ¹ / ₈	2.50
2353SPFBARS	slide out cross section	-	-	8 ¹¹ / ₁₆	16 ³ / ₄	2.80
-	-	ØØRSSCREW	¹ / ₄ - 20	-	-	-

Note: All dimensions are in inches and are reference only



Screen Part No.	Screen type	Overall width	Overall length	Weight (pounds)
ØØRSS1ØPFS	surface mount	5 ¹ / ₂	9 ¹ / ₂	0.70

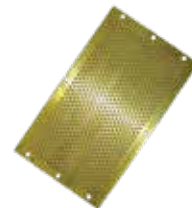
Note: All dimensions are in inches and are reference only



brass slide out normal screen



brass slide out screen with cross section



brass surface mount screen

H

Navy Pump Strainers

Bronze - Complete with cast bronze or aluminum screens



Part No.	Material	Thread size NPT	Overall width	Overall height	Overall length	Weight (pounds)	Replacement Screen Part No.
ØØNPS1ØØ	bronze	1	2 ⁷ / ₁₆	1 ⁷ / ₈	4 ⁵ / ₈	2.00	ØØNPS1ØØC
ØØNPS125	bronze	1 ¹ / ₄	2 ⁷ / ₁₆	1 ⁷ / ₈	4 ⁵ / ₈	2.00	ØØNPS1ØØC
ØØNPS15Ø	bronze	1 ¹ / ₂	3 ¹ / ₂	1 ¹⁵ / ₁₆	5	3.00	ØØNPS15ØC
ØØNPS2ØØ	bronze	2	3 ¹ / ₂	1 ¹⁵ / ₁₆	5	3.00	ØØNPS15ØC
2ØNPSB1ØØ	aluminum	1	2 ⁷ / ₁₆	1 ⁷ / ₈	4 ⁵ / ₈	0.75	2ØNPSB1ØØC
2ØNPSB125	aluminum	1 ¹ / ₄	2 ⁷ / ₁₆	1 ⁷ / ₈	4 ⁵ / ₈	0.75	2ØNPSB1ØØC
2ØNPSB15Ø	aluminum	1 ¹ / ₂	3 ¹ / ₂	1 ¹⁵ / ₁₆	5	1.50	2ØNPSB15ØC
2ØNPSB2ØØ	aluminum	2	3 ¹ / ₂	1 ¹⁵ / ₁₆	5	1.50	2ØNPSB15ØC

Note: All dimensions are in inches and are reference only

Navy Pump Strainers with Hose End

Complete with stainless steel screen



Part No.	Hose size	Overall width	Overall height	Overall length	Weight (pounds)	Replacement Screen Part No.
ØØNPS63H	⁵ / ₈	1 ⁵ / ₈	1 ⁷ / ₃₂	4 ¹ / ₈	0.40	ØØNPS63HC

Note: All dimensions are in inches and are reference only

Intake Strainers

Bronze - Oval Base or Web Base - Thru Hull Style - Complete with flange nut



Part No.	Type	Thread size NPS	Stem length	Base width	Base length	Flow area (inch squared)	Screw size	Weight (pounds)
ØØIS75L	oval base	³ / ₄	3 ¹ / ₄	2 ³ / ₈	3 ¹ / ₈	1.60	No. 8	0.90
ØØIS1ØØL	oval base	1	3 ¹ / ₂	3 ¹ / ₄	4 ¹ / ₄	2.62	No. 8	1.20
ØØIS125	oval base	1 ¹ / ₄	3 ³ / ₁₆	4 ¹ / ₁₆	5 ⁷ / ₈	3.06	No. 10	2.34
ØØIS15Ø	oval base	1 ¹ / ₂	3 ³ / ₈	4 ¹ / ₁₆	5 ⁷ / ₈	3.06	No. 10	2.80
ØØIS2ØØ	oval base	2	4 ¹ / ₁₆	4 ¹ / ₁₆	6	3.06	No. 10	3.70
ØØIS5Ø	web base	¹ / ₂	2 ¹ / ₂	2 ³ / ₄	3 ³ / ₄	1.60	No. 8	0.80
ØØIS75	web base	³ / ₄	2 ¹ / ₂	2 ³ / ₄	3 ³ / ₄	1.60	No. 8	0.95
ØØIS1ØØ	web base	1	2 ¹ / ₂	2 ³ / ₄	3 ³ / ₄	1.60	No. 8	1.05

Note: All dimensions are in inches and are reference only

Round Strainers

Bronze

Part No.	Max thru hull	Outside diameter	Bolt circle diameter	Screw size	Weight (pounds)
ØØSR35Ø	¾	3 15/32	3	No. 6	0.40
ØØSR4ØØ	1	3 15/16	3 7/16	No. 8	0.55
ØØSR5ØØ	1 ½	5	4 9/16	No. 8	0.65
ØØSR6ØØ	2 ½	6	5 7/16	No. 8	1.00
ØØSR8ØØ	3	7 15/16	7 ¼	No. 10	2.35

Note: All dimensions are in inches and are reference only



Round Strainers - Slotted

Bronze

Part No.	Max thru hull	Outside diameter	Bolt circle diameter	Screw size	Weight (pounds)
ØØSR4ØØS	1	4	3 ½	No. 8	0.55

Note: All dimensions are in inches and are reference only



Scoop Strainers

Bronze

Part No.	Max thru hull	Outside width	Overall length	Screw size	Weight (pounds)
ØØSS45Ø	½	3 1/8	4 5/8	No. 6	0.65
ØØSS5ØØ	¾	3 ½	5	No. 8	0.75
ØØSS6ØØ	1	4 1/16	5 7/8	No. 8	1.00
ØØSS65Ø	1 ¼	4 3/8	6 ¼	No. 8	1.45
ØØSS85Ø	1 ½	5 3/16	8 1/8	No. 10	2.80
ØØSS1Ø5Ø	4	8	13 1/16	¼	6.40
ØØSS11ØØ	3	7 5/16	10 9/16	¼	4.60

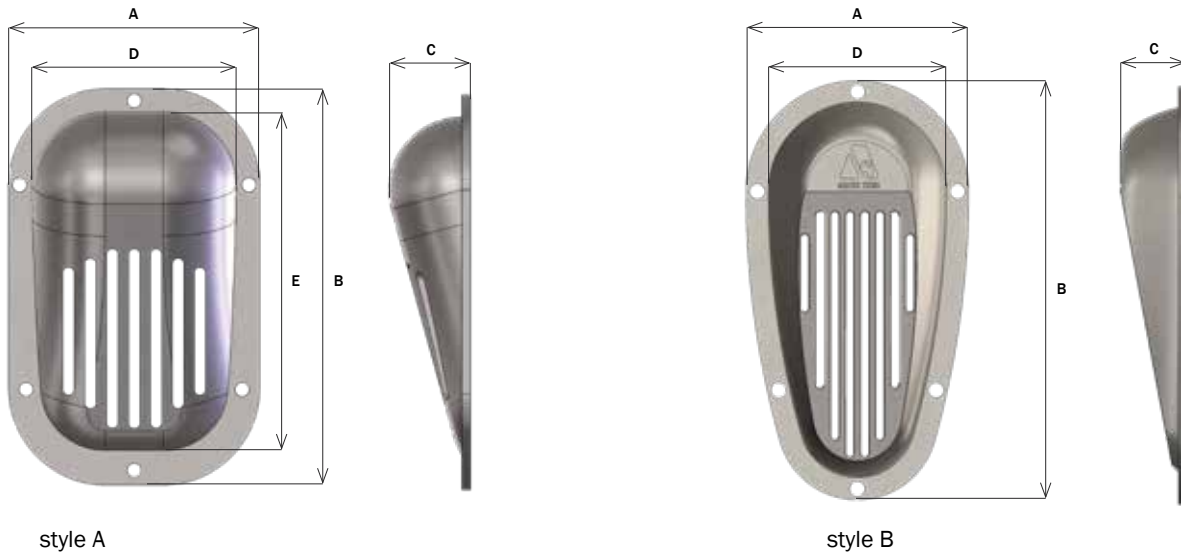
Note: All dimensions are in inches and are reference only



H

Inlet Scoop Strainers

Solid Cast 2205 Stainless Steel



style A

style B

Part No.	Size (mm)	Dim. A (mm)	Dim. B (mm)	Dim. C (mm)	Dim. D (mm)	Dim. E (mm)	Dim. F (mm)	Dim. G (mm)	Style	Fits Thru Hulls (in)	Weight (pounds)
7ØISS14Ø-1ØØ	140 × 100	100	140	28	70	115	6	5	A	1/2, 3/4, 1	0.40
7ØISS21Ø-115	210 × 115	115	210	32	82	180	6	5	B	1 1/4, 1 1/2	0.65
7ØISS315-16Ø	315 × 160	160	315	50	127	280	8	5	B	2, 2 1/2, 3	1.80
7ØISS41Ø-2Ø6	410 × 206	206	410	60	170	370	10	5	B	4	3.90
7ØISS51Ø-28Ø	510 × 280	275	507	70	230	470	12	6	B	6	4.70

Note: Dimensions are in millimeters and are reference only

Polyethylene Strainers

Black polyethylene with 30% fiberglass

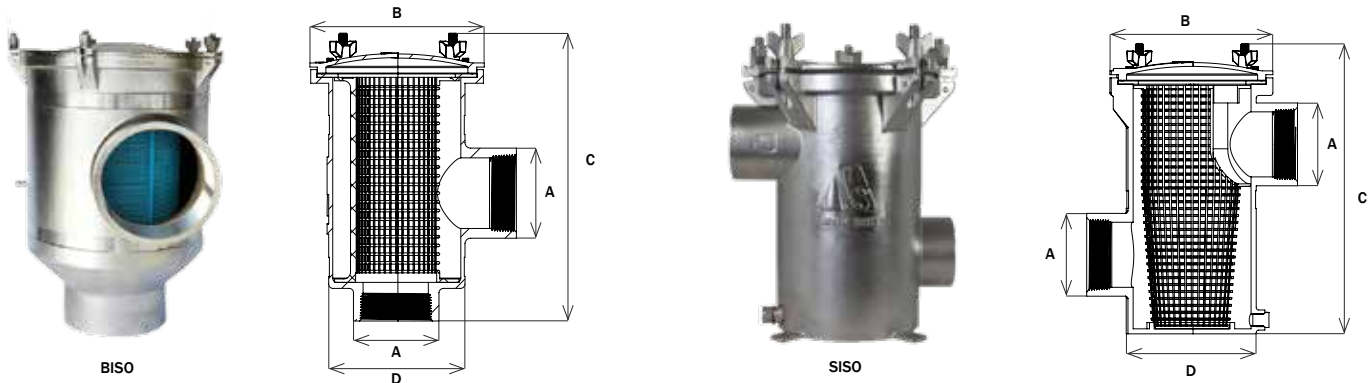


Part No.	Size NPT	Weight (pounds)
6ØTSS2Ø	1 1/2	0.25
6ØTSS25	2	0.24
6ØTSS35	3	0.64

Note: All dimensions are in inches and are reference only

Arctic Steel Strainers

Cast 2205 Duplex Stainless Steel - Electro polishing - Complete with five (5) wing nuts



Part No.	Basket material	Thread size (inlet/outlet) (A)	Lid width (B)	Height (C)	Body width (D)	Weight (pounds)	Flow rate 1.45 PSI (GPM)	Flow rate 14.5 PSI (GPM)
SISO Strainers								
70WS-SISO-100-C	ABS plastic	1 - 11.5 FNPT thread inlet/FNPT thread outlet	6	9.2	5.2	8	25	85
70WS-SISO-100-S	ABS plastic	1 - 11.5 FNPT thread inlet/FNPT thread outlet	6	9.2	5.2	8	25	85
70WS-SISO-125-C	ABS plastic	1.25 - 11.5 FNPT thread inlet/FNPT thread outlet	7.9	10.6	6.4	15.4	40	126
70WS-SISO-125-S	ABS plastic	1.25 - 11.5 FNPT thread inlet/FNPT thread outlet	7.9	10.6	6.4	15.4	40	126
70WS-SISO-150-C	ABS plastic	1.5 - 11.5 FNPT thread inlet/FNPT thread outlet	7.9	10.6	6.4	15	56	180
70WS-SISO-150-S	ABS plastic	1.5 - 11.5 FNPT thread inlet/FNPT thread outlet	7.9	10.6	6.4	15	56	180
70WS-SISO-200-C	ABS plastic	2 - 11.5 FNPT thread inlet/FNPT thread outlet	7.9	10.6	6.4	16	89	282
70WS-SISO-200-S	ABS plastic	2 - 11.5 FNPT thread inlet/FNPT thread outlet	7.9	10.6	6.4	16	89	282
70WS-SISO-250-C	ABS plastic	2.5 - 8 FNPT thread inlet/FNPT thread outlet	9.25	14.4	6.5	30	148	483
70WS-SISO-250-S	ABS plastic	2.5 - 8 FNPT thread inlet/FNPT thread outlet	9.25	14.4	6.5	30	148	483
70WS-SISO-300-C	ABS plastic	3 - 8 FNPT thread inlet/FNPT thread outlet	9.25	14.4	6.5	32.6	228	743
70WS-SISO-300-S	ABS plastic	3 - 8 FNPT thread inlet/FNPT thread outlet	9.25	14.4	6.5	32.6	228	743
70WS-SISO-400-C	ABS plastic	4 - 8 FNPT thread inlet/FNPT thread outlet	10.7	18.8	8.7	45.2	451	1450
70WS-SISO-400-S	ABS plastic	4 - 8 FNPT thread inlet/FNPT thread outlet	10.7	18.8	8.7	45.2	451	1450
BISO Strainers								
70WS-BISO-100-C	ABS plastic	1 - 11.5 MNPT thread inlet/FNPT thread outlet	6.1	9.2	3.7	6.8	37	114
70WS-BISO-100-S	ABS plastic	1 - 11.5 MNPT thread inlet/FNPT thread outlet	6.1	9.2	3.7	6.8	37	114
70WS-BISO-150-C	ABS plastic	1.5 - 11.5 MNPT thread inlet/FNPT thread outlet	6.1	9.2	3.7	7.1	86	272
70WS-BISO-150-S	ABS plastic	1.5 - 11.5 MNPT thread inlet/FNPT thread outlet	6.1	9.2	3.7	7.1	86	272
70WS-BISO-200-C	ABS plastic	2 - 11.5 MNPT thread inlet/FNPT thread outlet	8.3	10.8	5.5	14.8	128	427
70WS-BISO-200-S	ABS plastic	2 - 11.5 MNPT thread inlet/FNPT thread outlet	8.3	10.8	5.5	14.8	128	427
70WS-BISO-250-C	ABS plastic	2.5 - 8 FNPT thread inlet/FNPT thread outlet	8.3	10.8	5.5	13.7	169	569
70WS-BISO-250-S	ABS plastic	2.5 - 8 FNPT thread inlet/FNPT thread outlet	8.3	10.8	5.5	13.7	169	569
70WS-BISO-300-C	ABS plastic	3 - 8 FNPT thread inlet/FNPT thread outlet	9.25	13.2	6.5	27.6	257	792
70WS-BISO-300-S	ABS plastic	3 - 8 FNPT thread inlet/FNPT thread outlet	9.25	13.2	6.5	27.6	257	792
70WS-BISO-400-C	ABS plastic	4 - 8 FNPT thread inlet/FNPT thread outlet	11.3	18.7	8.6	40.8	487	1545
70WS-BISO-400-S	ABS plastic	4 - 8 FNPT thread inlet/FNPT thread outlet	11.3	18.7	8.6	40.8	487	1545
70WS-BISO-600-C	stainless steel 316	6 - 8 FNPT thread inlet/FNPT thread outlet	14.6	20.4	12.2	66.8	841	2718
70WS-BISO-600-S	stainless steel 316	6 - 8 FNPT thread inlet/FNPT thread outlet	14.6	20.4	12.2	66.8	841	2718

Note: All dimensions are in inches and are for reference only

Arctic Steel Strainers

Cast 2205 Duplex Stainless Steel - Electro polishing - Complete with five (5) wing nuts

Replacement Part No.	Replacement Part Description
7ØWS-BISO15Ø-Ø11-2	1 inch - 1.5 inch BISO 316 stainless steel basket 2mm perforated
7ØWS-BISO25Ø-Ø11-2	2 inch - 2.5 inch BISO 316 stainless steel basket 2mm perforated
7ØWS-BISO3ØØ-Ø11-2	3 inch BISO 316 stainless steel basket 2mm perforated
7ØWS-BISO-4ØØ-Ø11-2	4 inch BISO 316 stainless steel basket 2mm perforated
7ØWS-BISO-6ØØ-Ø11-2	6 inch BISO 316 stainless steel basket 2mm perforated
7ØWS-SISO2ØØ-Ø11-2	1.25 inch - 2 inch SISO 316 stainless steel basket 2mm perforated
7ØWS-SISO3ØØ-Ø11-2	3 inch SISO 316 stainless steel basket 2mm perforated
7ØWS-SISO4ØØ-Ø11-2	4 inch SISO 316 stainless steel basket 2mm perforated
CØWS-BISO-15Ø-ØØ5	1 inch - 1.5 inch BISO ABS basket
CØWS-BISO-25Ø-ØØ5	2 inch - 2.5 inch BISO ABS basket
CØWS-BISO-3ØØ-ØØ5	3 inch BISO ABS basket
CØWS-BISO-4ØØ-ØØ5	4 inch BISO ABS basket
CØWS-SISO-1ØØ-ØØ5	1 inch SISO ABS basket
CØWS-SISO-2ØØ-ØØ5	1.25 inch - 2 inch SISO ABS basket
CØWS-SISO-3ØØ-ØØ5	2.5 inch - 3 inch SISO ABS basket
CØWS-SISO-4ØØ-ØØ5	4 inch SISO ABS basket
7ØWS-15Ø-ØØ2	1 inch SISO and 1 inch - 1.5 inch BISO solid lid
7ØWS-25Ø-ØØ2	1.25 inch - 2 inch SISO and 2 inch - 2.5 inch BISO solid lid
7ØWS-3ØØ-ØØ2	2.5 inch - 3 inch SISO & 3 inch BISO solid lid
7ØWS-4ØØ-ØØ2	4 inch SISO and 4 inch BISO solid lid
7ØWS-6ØØ-ØØ2	6 inch SISO and 6 inch BISO solid lid
7ØWS-15Ø-Ø1Ø	1 inch SISO and 1 inch - 1.5 inch BISO clear lid replacement - kit
7ØWS-25Ø-Ø1Ø	1.25 inch - 2 inch SISO and 2 inch - 2.5 inch BISO clear lid replacement - kit
7ØWS-3ØØ-Ø1Ø	2.5 inch - 3 inch SISO and 3 inch BISO clear lid replacement - kit
7ØWS-4ØØ-Ø1Ø	4 inch SISO and 4 inch BISO clear lid replacement - kit
7ØWS-ADJ-BR-ARM1ØØ	adjustable bracket arm - 100mm
7ØWS-ADJ-BR-ARM15Ø	adjustable bracket arm - 150mm
7ØWS-ADJ-BR-ARM2ØØ	adjustable bracket arm - 200mm
7ØWS-BR-15Ø	mounting bracket for 1 inch - 1.5 inch BISO
7ØWS-BR-25Ø	mounting bracket for 2 inch - 2.5 inch BISO
7ØWS-BR-3ØØ	mounting bracket for 3 inch BISO
7ØWS-BR-4ØØ	mounting bracket for 4 inch BISO
7ØWS-15Ø-ØØ3	1 inch SISO and 1 inch - 1.5 inch BISO stainless steel retaining ring
7ØWS-25Ø-ØØ3	1.25 inch - 2 inch SISO and 2 inch - 2.5 inch BISO stainless steel retaining ring
7ØWS-3ØØ-ØØ3	2.5 inch - 3 inch SISO and 3 inch BISO stainless steel retaining ring
7ØWS-4ØØ-ØØ3	4 inch SISO and 4 inch BISO stainless steel retaining ring
7ØWS-15Ø/6ØØ-ØØ8	lid swing bolt with pin SISO and BISO
7ØWS-125/4ØØ-Ø14	SISO drain plug NPT 2205



BISO
stainless steel baskets



SISO
stainless steel baskets



ABS baskets



solid lid



clear lid kit



mounting brackets
and adjustable arm

H

Thru Hulls

Bronze - Machined finish - Complete with flange nut



standard



long

extra long



flange nut

Part No.	Style	Thread size NPS	Stem length under flange	Flange diameter	Weight (pounds)	Replacement Flange Nut Part No.	Replacement Flange Nut Weight (pounds)
ØØTH38	standard	3/8	2 5/16	1 9/16	0.35	ØØTHN38	0.10
ØØTH5Ø	standard	1/2	2 1/8	1 13/16	0.35	ØØTHN5Ø	0.10
ØØTH75	standard	3/4	2 5/16	2 1/16	0.50	ØØTHN75	0.15
ØØTH1ØØ	standard	1	2 9/16	2 3/8	0.70	ØØTHN1ØØ	0.20
ØØTH125	standard	1 1/4	3 1/16	3 1/16	1.60	ØØTHN125	0.35
ØØTH15Ø	standard	1 1/2	3 1/2	3 3/8	2.25	ØØTHN15Ø	0.45
ØØTH2ØØ	standard	2	4 1/16	3 5/8	2.75	ØØTHN2ØØ	0.50
ØØTH25Ø	standard	2 1/2	3 3/4	4 1/32	3.25	ØØTHN25Ø	0.55
ØØTH3ØØ	standard	3	5 7/32	4 1/2	5.00	ØØTHN3ØØ	0.85
ØØTH4ØØ	standard	4	5 1/4	5 3/4	13.70	ØØTHN4ØØ	1.90
ØØTH75L	long	3/4	4	2 1/16	1.37	-	-
ØØTH75XL	extra long	3/4	5 9/16	2 1/8	0.83	ØØTHN75	0.15
ØØTH1ØØXL	extra long	1	5 9/16	2 1/2	1.20	ØØTHN1ØØ	0.20
ØØTH125XL	extra long	1 1/4	5 9/16	3 3/16	2.30	ØØTHN125	0.35
ØØTH15ØXL	extra long	1 1/2	5 9/16	3 1/2	2.40	ØØTHN15Ø	0.45
ØØTH2ØØXL	extra long	2	5 9/16	3 3/4	3.30	ØØTHN2ØØ	0.50

Note: All dimensions are in inches and are reference only

Thru Hulls with Hose End

Bronze - Machined finish - Complete with flange nut



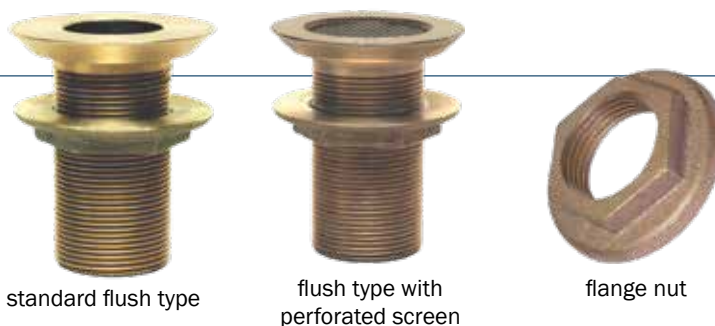
Part No.	Hose ID	Thread size NPS	Stem length under flange	Flange diameter	Weight (pounds)	Replacement Flange Nut Part No.	Replacement Flange Nut Weight (pounds)
ØØTHH062	5/8	1/2	3 3/8	1 1/8	0.50	ØØTHN50	0.10
ØØTHH75	3/4	3/4	3 1/4	2 1/16	0.60	ØØTHN75	0.10
ØØTHH100	1	1	3 3/8	2 3/8	0.80	ØØTHN100	0.20
ØØTHH1125	1 1/8	1	3 3/8	2 3/8	0.90	ØØTHN100	0.20
ØØTHH150	1 1/2	1 1/2	3 3/4	3 5/32	2.00	ØØTHN150	0.45
ØØTHH200	2	2	3 1/4	3 1/16	2.50	ØØSLN100FG	1.10
ØØTHH250	2 1/2	2 1/2	4 3/8	4	5.00	ØØSLN138FG	1.15
ØØTHH300	3	3	5 1/2	4 3/4	8.60	ØØTHN300	0.85
ØØTHH350	3 1/2	3 1/2	5 5/8	5 3/16	9.10	ØØSLN250FG	1.50
ØØTHH400	4	4	6	5 3/4	13.00	ØØSLN275FG	2.50

Note: All dimensions are in inches and are reference only

flange nut

Thru Hulls Flush Type

Bronze - Machined finish - Complete with flange nut



standard flush type

flush type with perforated screen

flange nut

Part No.	Includes perforated screen	Thread size NPS	Stem length under flange	Flange diameter	Flange thickness	Flange angle, degree	Weight (pounds)	Replacement Flange Nut Part No.	Replacement Flange Nut Weight (pounds)
ØØTH50F	no	1/2	2 5/16	2 1/2	3/8	45°	0.60	ØØTHN50	0.10
ØØTH75F	no	3/4	2 5/16	2 1/2	3/8	45°	0.80	ØØTHN75	0.15
ØØTH100F	no	1	2 1/2	3	3/8	45°	1.10	ØØTHN100	0.20
ØØTH125F	no	1 1/4	3 1/8	3	3/8	45°	1.50	ØØTHN100	0.35
ØØTH150F	no	1 1/2	3 3/8	3 1/4	3/8	45°	1.75	ØØTHN150	0.45
ØØTH50FS	yes	1/2	2 5/16	2 1/2	3/8	45°	0.60	ØØTHN50	0.10
ØØTH75FS	yes	3/4	2 5/16	2 1/2	3/8	45°	0.80	ØØTHN75	0.15
ØØTH100FS	yes	1	2 1/2	3	3/8	45°	1.10	ØØTHN100	0.20
ØØTH125FS	yes	1 1/4	3 1/8	3	3/8	45°	1.50	ØØTHN100	0.35
ØØTH150FS	yes	1 1/2	3 3/8	3 1/4	3/8	45°	1.75	ØØTHN150	0.45

Note: All dimensions are in inches and are reference only

Thru Hulls with Hose End

Stainless steel - Polished finish - Complete with flange nut



Part No.	Hose ID	Stem length under flange	Flange diameter	Weight (pounds)
7ØTHH625	5/8	3	1 1/2	0.40
7ØTHH75	3/4	3	1 1/2	0.60
7ØTHH1ØØ	1	3 13/64	2	0.75
7ØTHH112	1 1/8	3 13/32	2	0.70
7ØTHH125	1 1/4	3 19/32	2 45/64	1.30
7ØTHH15Ø	1 1/2	3 51/64	2 3/4	1.20
7ØTHH2ØØ	2	4	2 13/32	1.80

Note: All dimensions are in inches and are reference only

Thru Hulls with Hose End

Nylon/Fiberglass - Complete with polished stainless steel cap and nylon/fiberglass flange nut



Part No.	Hose ID	Stem length under flange	Flange diameter	Weight (pounds)
6ØTHH625SS	5/8	3	1 5/8	0.15
6ØTHH75SS	3/4	3	1 5/8	0.15
6ØTHH1ØØSS	1	3 13/64	2	0.20
6ØTHH112SS	1 1/8	3 13/32	2	0.20
6ØTHH125SS	1 1/4	3 29/32	2 35/64	0.25
6ØTHH15ØSS	1 1/2	3 29/32	2 35/64	0.25

Note: All dimensions are in inches and are reference only

Water Outlet Thru Hulls

Available in a cast bronze, white powder coat or polished stainless steel finish - Complete with flange nut



Stainless Steel Part No.	Thread size NPS	Stem length under flange	Flange diameter	Weight (pounds)
7ØTH75WO	3/4	4	2 5/8	1.35

Note: All dimensions are in inches and are reference only

Thru Hulls

Stainless Steel - Polished finish - Complete with nut and grounding washer

Part No.	Thread size NPS	Stem length under flange	Flange diameter	Weight (pounds)
70TH050GS	1/2	2 3/8	1 5/8	0.30
70TH075GS	3/4	2 3/4	1 7/8	0.50
70TH100GS	1	2 7/8	2 1/4	0.70
70TH125GS	1 1/4	3 1/8	2 1/2	0.90
70TH150GS	1 1/2	3 1/8	2 5/8	1.25
70TH200GS	2	4 1/8	3 1/4	2.00
70TH300GS	3	5 3/8	4 3/4	4.75

Note: All dimensions are in inches and are reference only



Thru Hulls with Drip Lip

Stainless Steel - Polished finish - Complete with flange nut

Part No.	Thread size NPS	Stem length under flange	Flange diameter	Weight (pounds)
70TH200DL	2	3 3/4	3 1/4	1.70

Note: All dimensions are in inches and are reference only



Thru Hulls with Drip Lip and Hose End

Stainless Steel - Polished finish - Complete with flange nut

Part No.	Hose ID	Thread size NPS	Stem length under flange	Flange diameter	Weight (pounds)
70THH200DL	2	2	4 1/2	3 1/4	1.85

Note: All dimensions are in inches and are reference only





Fresh Water Washdown Thru Hull

Bronze - Machined finish - Complete with nylon fitting, brass cap and cast bronze flanged nut

Part No.	Thru hull size NPT	Cap thread size GHT	Nylon fitting thread GHT	Overall height	Weight (pounds)
Ø2THTRØ625	¾	⅝	⅝	3	0.75

Note: All dimensions are in inches and are reference only



High Speed Pick Ups

Bronze - Machined finish - Complete with flange nut

Part No.	Thread size NPS	Stem length under flange	Flange diameter	Weight (pounds)
ØØTH75HS	¾	2 ⅝	2 ⅛	0.45
ØØTH1ØØHS	1	2 ¾	2 ⅜	0.60
ØØTH125HS	1 ¼	3 ¼	3 ⅛	1.60
ØØTH15ØHS	1 ½	3 ½	3 ⅜	2.20

Note: All dimensions are in inches and are reference only



flange nut

Replacement Parts

Part No.	Replacement Flange Nut Part No.	Weight (pounds)
ØØTH75HS	ØØTHN75	0.15
ØØTH1ØØHS	ØØTHN1ØØ	0.20
ØØTH125HS	ØØTHN125	0.35
ØØTH15ØHS	ØØTHN15Ø	0.45

Thru Hull Step Wrench

Plated malleable iron



3BTHW5Ø15Ø



3BTHW2Ø25Ø

Part No.	Fits thru hulls min. to max.	Overall length	Weight (pounds)
3BTHW5Ø15Ø	½ - 1 ½	6 ¼	2.90
3BTHW2Ø25Ø	2 - 2 ½	4 ⅞	2.25

Note: All dimensions are in inches and are reference only

Drain Plugs - Thru Hull Style

Bronze - Complete with flange nut and T-handle



Part No.	Plug size NPS	Stem length under flange	Flange diameter	Weight (pounds)
ØØDPN84LT	1/2	1 1/8	2 3/16	0.65
ØØDPN84ET	1/2	1 5/8	2 1/16	0.75

Note: All dimensions are in inches and are reference only

Replacement Parts

Part No.	Replacement T-Handle Part No.	Replacement Flange Nut Part No.
ØØDPN84LT	ØØDP84TH	ØØTHN75
ØØDPN84ET	ØØDP84TH	ØØTHN75



flange nut



T-handle

Drain Plugs - Thru Hull Style with Tuff-Lite™ Plug

Bronze - Complete with flange nut and Tuff-Lite™ plug



Part No.	Plug size NPS	Stem length under flange	Flange diameter	Weight (pounds)
ØØDPN84L	1/2	1 1/8	2 3/16	0.50
ØØDPN84E	1/2	1 5/8	2 1/16	0.70

Note: All dimensions are in inches and are reference only

Replacement Parts

Part No.	Replacement Tuff-Lite™ Plug Part No.	Replacement Flange Nut Part No.
ØØDPN84L	6ØTPS4	ØØTHN75
ØØDPN84E	6ØTPS4	ØØTHN75



flange nut



plug

Drain Plugs - Flange Style

Bronze - Complete with T-handle



Part No.	Plug size NPS	Hub length under flange	Flange diameter	Overall height	Screw size	Weight (pounds)
ØØDP1Ø5TS	3/4	5/8	2 3/8	3 3/4	No. 10	0.75

Note: All dimensions are in inches and are reference only

Replacement Parts

Part No.	Replacement T-Handle Part No.
ØØDP1Ø5TS	ØØDP1Ø5TSH



T-handle

Drain Plugs - Flange Style

Bronze - Complete with T-handle



Part No.	Plug size NPS	Hub length under flange	Flange diameter	Overall height	Screw size	Weight (pounds)	Replacement T-Handle Part No.
ØØDP84T	1/2	3/4	2	3	No. 10	0.65	ØØDP84TH

Note: All dimensions are in inches and are reference only

Drain Plugs - Flange Style with Tuff-Lite™ Plug

Bronze - Complete with flange nut and Tuff-Lite™ plug



Part No.	Plug size NPS	Hub length under flange	Flange diameter	Overall height	Screw size	Weight (pounds)	Replacement Tuff-Lite™ Part No.
ØØDP84	1/2	3/4	2	1 1/4	No. 10	0.25	6ØTPS4

Note: All dimensions are in inches and are reference only

Drain Plugs - Flange Style

Bronze - Complete with bronze plug and wrench



Part No.	Plug size NPS	Hub length under flange	Flange diameter	Screw size	Weight (pounds)	Replacement Plug Part No.	Replacement Wrench Part No.
ØØDP100	1	7/8	3 1/8	No. 10	1.20	ØØDP100P	BBSW5Ø

Note: All dimensions are in inches and are reference only

Drain Plugs - Flange Style

Bronze - Complete with hex plug



Part No.	Plug size NPS	Hub length under flange	Flange diameter	Screw size	Weight (pounds)	Replacement Hex Plug Part No.
SIGARPLUG5	1/2	7/8	2 5/8	No. 10	0.25	ØØTPS4

Note: All dimensions are in inches and are reference only

Gas Tank Vents

Available in a cast bronze or polished stainless steel - Complete with flanged nut

Cast Bronze Part No.	Stainless Steel Part No.	Thread size NPS	Stem length under flange	Flange diameter	Weight (pounds)
ØØGTVN38	7ØGTVN38	3/8	1 1/2	1 1/2	0.30
ØØGTVN5Ø	7ØGTVN5Ø	1/2	1 1/2	1 1/2	0.35

Note: All dimensions are in inches and are reference only



cast bronze

stainless steel

Gas Tank Vents with Elbow

Available in a cast bronze or polished stainless steel - Complete with flanged nut and bronze elbow

Cast Bronze Part No.	Stainless Steel Part No.	Thread size NPS	Stem length under flange	Flange diameter	Weight (pounds)	Replacement Elbow Part No.
ØØGTVF38	7ØGTVF38	3/8	1 1/2	1 1/2	0.30	ØØGTVF38E
ØØGTVF5Ø	7ØGTVF5Ø	1/2	1 1/2	1 1/2	0.35	ØØGTVF5ØE

Note: All dimensions are in inches and are reference only



cast bronze

stainless steel

Gas Tank Vents with Hose End

Available in a cast bronze or polished stainless steel - Complete with flanged nut

Cast Bronze Part No.	Stainless Steel Part No.	Thru hull thread size NPS	Hose ID	Stem length under flange	Flange diameter	Weight (pounds)
ØØGTVN5ØH	7ØGTVN5ØH	1/2	5/8	2	1 1/2	0.40

Note: All dimensions are in inches and are reference only



cast bronze

stainless steel

Gas Tank Vents with Hose End

Stainless steel - Complete with rubber gasket, star washer and nut

Part No.	Style	Thru hull thread size NPS	Hose ID	Stem length under flange	Flange diameter	Weight (pounds)
7ØGTVN58HS	hose end	1/2	5/8	2 1/4	1	0.25
7ØGTVN58EHS	90° hose end	1/2	5/8	3	1	0.25

Note: All dimensions are in inches and are reference only

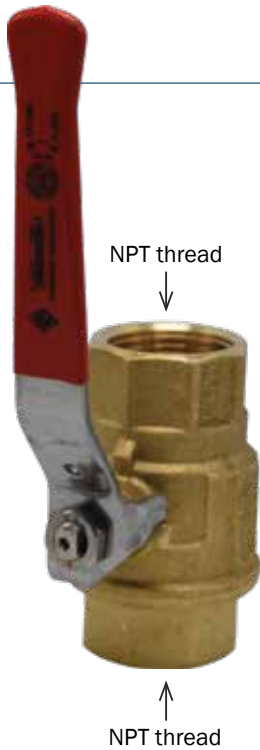


hose end

90° hose end

Ball Valves

Brass



- full flow
- rated to 600 PSI **⚠**
- can be used for water, oil and gas
- hard chromed ball
- stainless steel vinyl coated handle
- aluminum handles for larger sizes

Part No.	Thread size NPT	Overall height of casting	Weight (pounds)
ØØBBV25FSS	1/4	2	0.45
ØØBBV38FSS	3/8	2 1/16	0.45
ØØBBV50FSS	1/2	2 1/2	0.65
ØØBBV75FSS	3/4	2 3/4	0.95
ØØBBV100FSS	1	3 1/8	1.50
ØØBBV125FSS	1 1/4	3 7/16	2.30
ØØBBV150FSS	1 1/2	3 7/8	3.10
ØØBBV200FA ¹	2	4 7/16	4.95
ØØBBV250FA ¹	2 1/2	5 5/8	10.00
ØØBBV300FA ¹	3	6 5/8	16.00
ØØBBV400FA ¹	4	7 1/2	29.00

Note: All dimensions are in inches and are reference only

- ¹ Only available in a black coated aluminum handle **⚠**
Failure to properly winterize may cause damage to valve

Replacement Parts



Part No.	Replacement Handle Part No.	Overall handle length	Mounting hole size
ØØBBV25FSS	BBVKIT25	4 3/8	3/16 x 9/32
ØØBBV38FSS	BBVKIT38	4 3/8	3/16 x 9/32
ØØBBV50FSS	BBVKIT50	4 3/8	3/16 x 9/32
ØØBBV75FSS	BBVKIT75	5 3/8	1/4 x 3/8
ØØBBV100FSS	BBVKIT100	5 3/8	1/4 x 3/8
ØØBBV125FSS	BBVKIT125	6 3/4	5/16 x 1/2
ØØBBV150FSS	BBVKIT150	6 3/4	5/16 x 1/2
ØØBBV200FA ¹	BBVKIT200	7 1/2	13/32 x 5/8
ØØBBV250FA ¹	BBVKIT250	9	1/2 x 1/2
ØØBBV300FA ¹	BBVKIT300	9	1/2 x 1/2
ØØBBV400FA ¹	BBVKIT400	11 1/2	3/4 x 3/4

Note: All dimensions are in inches and are reference only

Complete with vinyl coated stainless steel handle and nut

- ¹ Only available in a black coated aluminum handle

Swing Check Valves

Bronze



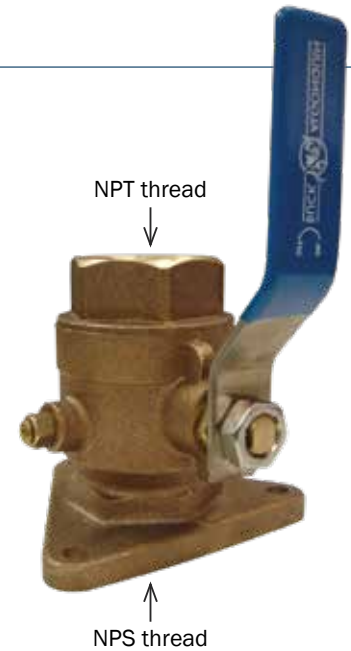
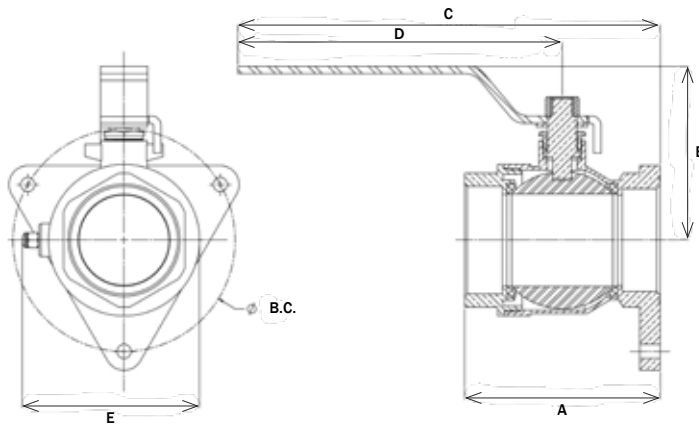
- horizontal or vertical use
- rated to 200 PSI **⚠**
- can be used for water, oil and gas

Part No.	Thread size NPT	Overall length of casting	Weight (pounds)
ØØSCV50	1/2	2 1/16	0.40
ØØSCV75	3/4	2 7/16	0.55
ØØSCV100	1	2 9/16	0.75
ØØSCV125	1 1/4	3 1/4	1.35
ØØSCV150	1 1/2	3 3/4	1.95
ØØSCV200	2	4	2.60

Note: All dimensions are in inches and are reference only

Ball Type Seacocks

Bronze





Part No.	Thread size NPT	Dim. A	Dim. B	Dim. C	Dim. D	Dim. E	Bolt circle	Bolthole size	Weight (pounds)
ØØASC75LP	3/4	2.677	2.313	5.313	4.000	2.248	2 7/8	5/16	1.60
ØØASC10ØLP	1	3.307	2.531	5.688	4.094	2.614	3 5/8	5/16	2.15
ØØASC125LP	1 1/4	3.740	2.157	6.279	4.409	3.094	3 13/16	5/16	4.00
ØØASC15ØLP	1 1/2	4.055	3.219	8.281	6.219	3.508	4 1/2	5/16	5.50
ØØASC20ØLP	2	4.750	3.563	8.438	6.125	4.315	5 1/16	5/16	10.90
ØØASC25ØLP ¹	2 1/2	5.969	5.063	13.469	10.406	5.398	5 7/8	5/16	11.30
ØØASC30ØLP ¹	3	6.718	5.500	13.344	9.969	6.145	7	5/16	19.80
ØØASC40ØLP ¹	4	7.625	5.826	13.906	10.063	7.839	8 1/2	5/16	34.00

Note: All dimensions are in inches and are reference only

¹ Does not come with a vinyl coated handle. Only available in a cast stainless steel handle

Failure to properly winterize may cause damage to valve

Failure to regularly exercise valve handle may result in valve failure 

- drain plug and grounding screw
- full flow
- low profile
- rated to 600 PSI 
- can be used for water, oil and gas
- hard chromed ball
- stainless steel vinyl coated handle
- aluminum handles for larger sizes

Replacement Parts

Part No.	Replacement Handle Part No.	Overall handle length	Mounting hole size
ØØASC75LP	BBVKIT75LP	4 1/4	3/16 x 5/16
ØØASC10ØLP	BBVKIT10ØLP	4 1/4	3/16 x 5/16
ØØASC125LP	BBVKIT125LP	5	5/16 x 7/16
ØØASC15ØLP	BBVKIT15ØLP	5	5/16 x 7/16
ØØASC20ØLP	BBVKIT20ØLP	7	1/2 x 11/16
ØØASC25ØLP	BBVKIT25ØLP	12	7/8 x 9/16
ØØASC30ØLP	BBVKIT30ØLP	12	7/8 x 9/16
ØØASC40ØLP	BBVKIT40ØLP	12	7/8 x 9/16

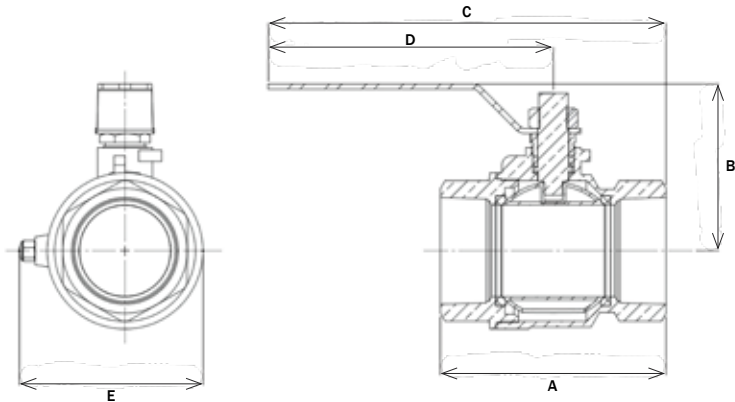
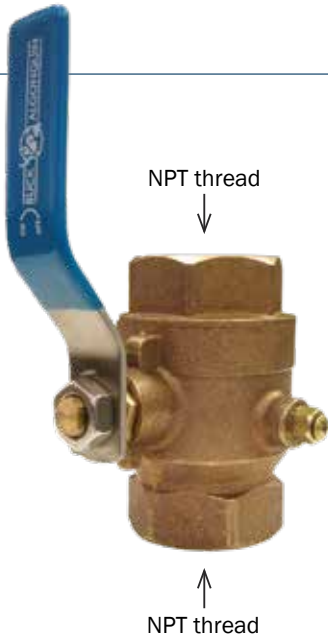
Note: All dimensions are in inches and are reference only

Complete with vinyl coated stainless steel handle and nut



Low Profile Ball Valves

Bronze



- drain plug and grounding screw
- full flow
- low profile
- rated to 600 PSI
- can be used for water, oil and gas
- hard chromed ball
- stainless steel vinyl coated handle

Part No.	Thread size NPT	Dim. A	Dim. B	Dim. C	Dim. D	Dim. E	Weight (pounds)
ØØBBV38LP	3/8	1.811	0.496	4.252	3.346	1.516	0.45
ØØBBV5ØLP	1/2	2.377	1.732	4.811	3.622	1.972	0.70
ØØBBV75LP	3/4	2.677	1.968	4.961	3.622	2.248	0.95
ØØBBV1ØØLP	1	3.307	2.086	5.276	3.622	2.614	1.60
ØØBBV125LP	1 1/4	3.740	2.716	6.279	4.409	3.094	2.50
ØØBBV125LPLH ¹	1 1/4	3.740	2.716	6.279	4.409	3.094	2.50
ØØBBV15ØLP	1 1/2	4.055	3.149	8.13	6.102	3.508	3.30
ØØBBV15ØLPLH ¹	1 1/2	4.055	3.149	8.13	6.102	3.508	3.30
ØØBBV2ØØLP	2	4.566	3.385	8.385	6.102	4.315	4.95
ØØBBV25ØLP ²	2 1/2	6.141	4.842	11.535	8.464	5.398	9.50
ØØBBV3ØØLP ²	3	6.653	5.157	11.791	8.464	6.145	13.20
ØØBBV4ØØLP ²	4	8.369	5.826	12.649	8.464	7.839	18.80

Note: All dimensions are in inches and are reference only

¹ These valves have locking handles

² Only available in a cast stainless steel handle

Failure to properly winterize may cause damage to valve

Failure to regularly exercise valve handle may result in valve failure



Replacement Parts

Part No.	Replacement Handle Part No.	Overall handle length	Mounting hole size
ØØBBV38LP	BBVKIT38LP	4	3/16 x 5/16
ØØBBV5ØLP	BBVKIT5ØLP	4	3/16 x 5/16
ØØBBV75LP	BBVKIT75LP	4 1/4	3/16 x 5/16
ØØBBV1ØØLP	BBVKIT1ØØLP	4 1/4	3/16 x 5/16
ØØBBV125LP	BBVKIT125LP	5	5/16 x 7/16
ØØBBV15ØLP	BBVKIT15ØLP	5	5/16 x 7/16
ØØBBV2ØØLP	BBVKIT2ØØLP	7	1/2 x 11/16
ØØBBV25ØLP	BBVKIT25ØLP	12	7/8 x 9/16
ØØBBV3ØØLP	BBVKIT3ØØLP	12	7/8 x 9/16
ØØBBV4ØØLP	BBVKIT4ØØLP	12	7/8 x 9/16

Note: All dimensions are in inches and are reference only

Complete with vinyl coated stainless steel handle and nut

Gate Valves

Bronze

Part No.	Thread size NPT	Overall length of casting	Weight (pounds)
ØØGV38	3/8	1 5/8	0.52
ØØGV50	1/2	1 11/16	0.60
ØØGV75	3/4	1 7/8	0.85
ØØGV100	1	2 3/16	1.22
ØØGV125	1 1/4	2 1/4	1.74
ØØGV150	1 1/2	2 7/16	2.21
ØØGV200	2	2 3/4	3.42
ØØGV250	2 1/2	3 3/4	6.25
ØØGV300	3	4	8.86

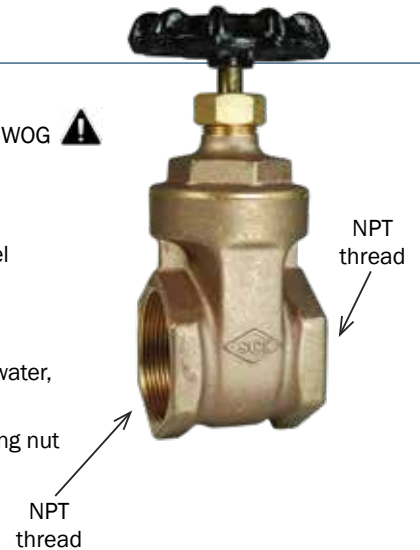
Note: All dimensions are in inches and are reference only

Failure to properly winterize may cause damage to valve

Failure to regularly exercise valve handle may result in valve failure



- rated to 200 PSI WOG
- non-rising stem
- solid wedge disc
- iron handle wheel
- threaded bonnet
- integral seat
- can be used for water, oil and gas
- adjustable packing nut



Mini Valves

Nickel plated brass

Part No.	Thread size NPT	Overall length of casting	Weight (pounds)
MBV25	1/4	1 1/16	0.22
MBV38	3/8	1 11/16	0.20
MBV50	1/2	2 3/16	0.35

Note: All dimensions are in inches and are reference only

Failure to properly winterize may cause damage to valve

Failure to regularly exercise valve handle may result in valve failure



- rated to 150 PSI
- can be used for water and gas
- PTFE seats
- FKM stem seal
- blow-out proof stem
- temperature up to 150°F



Ball Valves

Stainless steel

Part No.	Thread size NPT	Overall length of casting	Weight (pounds)
7ØSSBV25	1/4	2 1/8	0.38
7ØSSBV38	3/8	2 1/8	0.56
7ØSSBV50	1/2	2 1/2	0.65
7ØSSBV75	3/4	3	1.01
7ØSSBV100	1	3 1/2	1.70
7ØSSBV125	1 1/4	4	2.55
7ØSSBV150	1 1/2	4 3/8	3.50
7ØSSBV200	2	4 15/16	5.10
7ØSSBV250	2 1/2	6 3/8	10.00
7ØSSBV300	3	7	13.60

Note: All dimensions are in inches and are reference only

Failure to properly winterize may cause damage to valve

Failure to regularly exercise valve handle may result in valve failure



- rated to 1000 PSI, 1/4" - 2"
- rated to 800 PSI, 2 1/2" - 3"
- can be used for water, oil and gas
- 316 stainless ball, body and stem
- PTFE seat, joint gasket and thrust washer
- blow-out proof stem
- temperature range -60°F to 450°F



Oar Locks

Cast Bronze - Malleable Iron - Sold in pairs



standard



ring



davis

Cast Bronze Part No.	Malleable Iron Part No.	Style	Oar lock size No.	Horn ID	Overall height	Stem length under flange	Shank OD	Base height	Base width	Screw C to C	Screw size	Weight (pounds)
ØØL4HB	330L4H	standard	0	2 1/8	5	2	1/2	-	-	-	-	0.90
ØØL5ROB	330L5RO	ring	0	2	5 1/4	2 1/8	1/2	-	-	-	-	0.75
ØØL5RIB	330L5R1	ring	1	2 1/4	5 1/2	2 1/8	1/2	-	-	-	-	1.00
-	330L2	davis	-	2 1/8	5 1/2	2 1/8	5/8	2 1/4	3 1/4	2 1/4 x 1	No. 10	2.10

Note: All dimensions are in inches and are reference only
Davis style includes bracket

Oar Lock Brackets

Cast Bronze - Sold in pairs



top and side mount



side mount



top mount

Part No.	Style	Flange width	Flange length	Length under flange	Hub length	Overall width	Overall height	Hole ID	Screw C to C	Screw size	Weight (pounds)
ØØL5FB	top mount	1 1/8	3 1/4	1 1/4	-	-	-	1/2	2 1/2	No. 10	0.50
ØØL5SB	side mount	7/8	3 7/8	-	1 3/8	-	-	1/2	-	No. 10	0.70
ØØL5AB	top & side mount	-	-	-	-	4	1 1/4	1/2	-	No. 10	0.50

Note: All dimensions are in inches and are reference only

Swordfish Dart and Shank Set

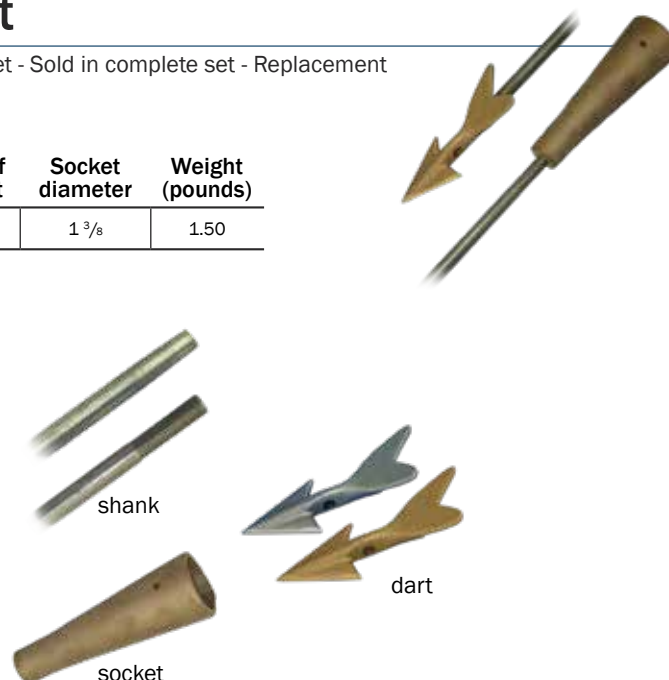
Complete with cast bronze dart, steel shank and cast bronze socket - Sold in complete set - Replacement part sold individually

Bronze Part No.	Stainless steel Part No.	Overall length	Length of dart	Diameter of hole in dart	Socket diameter	Weight (pounds)
00DS500	70DS500	28	4 ¹³ / ₁₆	⁵ / ₁₆	1 ³ / ₈	1.50

Note: All dimensions are in inches and are reference only

Replacement Parts

Bronze Part No.	Stainless steel Part No.	Description	Weight (pounds)
00SFD500	70SFD500	dart	1.50
-	80DS500R	shank	1.50
00DS500F	-	socket	1.50



Backing Plates for Hull Zinc

Bronze

Part No.	Overall length	Overall width	Overall thickness	Screw C to C	Screw size	Center bolt thread size	Weight (pounds)
10ZP900BP	9 ³ / ₄	4 ¹ / ₂	⁷ / ₁₆	5 ¹ / ₄	⁵ / ₁₆	³ / ₈ - 16 NC2	3.50

Note: All dimensions are in inches and are reference only

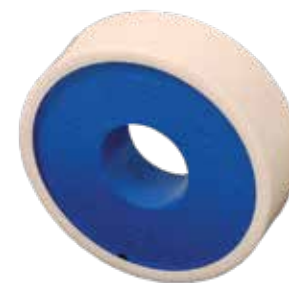


Industrial PTFE Tape

White - Thickness 3.5 mil (0.0035mm) - Temperature range -212 °F to 500 °F (-136 °C to 260 °C) ⚠

Part No.	Size	Overall length	Optional Quantity
TTA50	¹ / ₂	260	550
TTB50	¹ / ₂	520	500
TTC50	¹ / ₂	1296	250
TTA75	³ / ₄	260	350
TTB75	³ / ₄	520	350
TTB100	1	520	250

Note: All dimensions are in inches and are reference only



K

De-Icers

Designed to prevent ice from forming around boats, marinas, docks and piers

Construction: heavy duty PVC Venturi housing

Note: Fountain and aerator products are available upon request



P250



P500



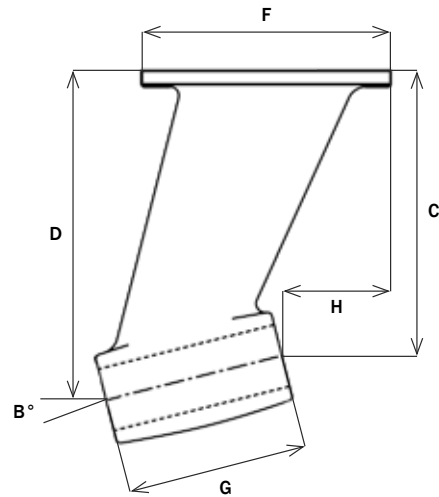
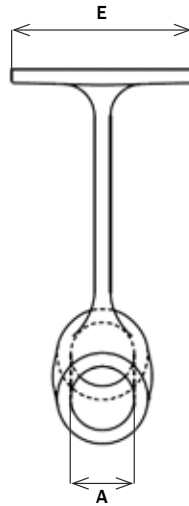
P750



P1000

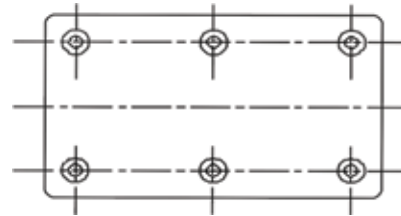
Part No.	HP	Volts	Amps	Open Diameter (inches)	Pounds of thrust (pounds)	Gallons per minute (GPM)	Revolutions per minute	Dimensions (inches)	Uses	Weight (pounds)
P250/050	0.25 hp	115V	2.6/3.1	20 - 25	28	900	1650	13 × 13 × 14	small boats and light ice	32
P250/100	0.25 hp	115V	2.6/3.1	20 - 25	28	900	1650	13 × 13 × 14	small boats and light ice	41
P250/150	0.25 hp	230V	2.6/3.1	20 - 25	28	900	1650	13 × 13 × 14	small boats and light ice	49
P1000/050	1 hp	115V	7/3.5	80	36	1400	1650	15 × 15 × 17	large boats and marinas	45
P500/050	0.50 hp	115V	6/3	40	32	1075	1650	13 × 13 × 14	individual slips	40
P500/100	0.50 hp	115V	6/3	40	32	1075	1650	13 × 13 × 14	individual slips	45
P500/150	0.50 hp	230V	6/3	40	32	1075	1650	13 × 13 × 14	individual slips	50
P750/050	0.75 hp	115V	6/3	60	34	1275	1650	15 × 15 × 17	mid size boats	45
P750/100	0.75 hp	115V	6/3	60	34	1275	1650	15 × 15 × 17	mid size boats	46
P750/150	0.75 hp	230V	6/3	60	34	1275	1650	17 × 17 × 27	mid size boats	58
P1000/100	1 hp	115V	7/3.5	80	36	1400	1650	15 × 15 × 17	large boats and marinas	46
P1000/150	1 hp	230V	7/3.5	80	36	1400	1650	15 × 15 × 17	large boats and marinas	58

Strut Reference Diagram - 90° Main Strut



Dimensions

Dimension	Description	Your sizes
A	Bore size	
B	Shaft angle	
C	Forward drop	
D	Aft drop	
E	Base width	
F	Base length	
G	Barrel length	
H	Offset	



Describe bolthole layout: size, style, locations, quantity, etc.

Contact us with your information

Information	Your information
Company	
Phone number	
Fax number	
Contact name	
Replacement part (Y/N)	
Custom Casting (Y/N)	
Manufacturer	
Year	
Shaft diameter	

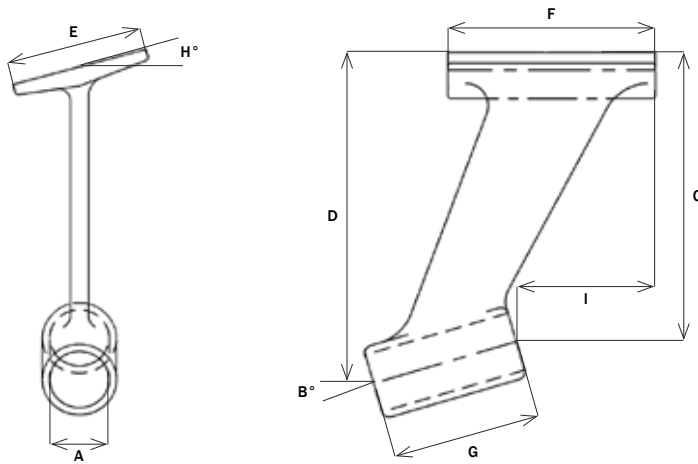
Hydrasearch specializes in custom castings.

If you would like us to quote a special strut or you only have the dimensions of the existing strut you are trying to match, please find the diagram above that would best fit your application.

Fill in the blanks with the dimensions (in inches) you are looking for and email it back to us at recreational@hydrasearch.com or fax it to us at 410.643.7145. We will do our best to find a strut that we currently have in stock that best matches the dimensions given or quote you a custom strut.

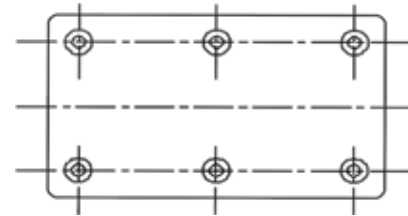
If you have any questions or concerns, please contact our sales team to help guide you through the process.

Strut Reference Diagram - Port & Starboard Main Strut



Dimensions

Dimension	Description	Your sizes
A	Bore size	
B	Shaft angle	
C	Forward drop	
D	Aft drop	
E	Base width	
F	Base length	
G	Barrel length	
H	Offset	



Describe bolthole layout: size, style, locations, quantity, etc.

Contact us with your information

Information	Your information
Company	
Phone number	
Fax number	
Contact name	
Replacement part (Y/N)	
Custom Casting (Y/N)	
Manufacturer	
Year	
Shaft diameter	

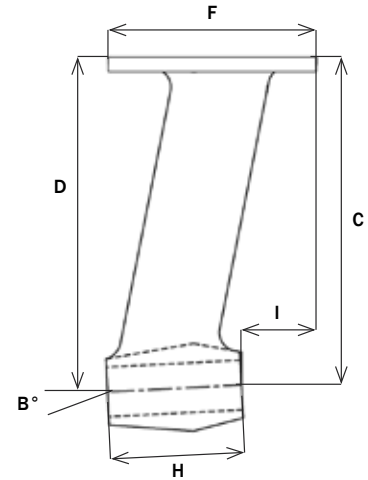
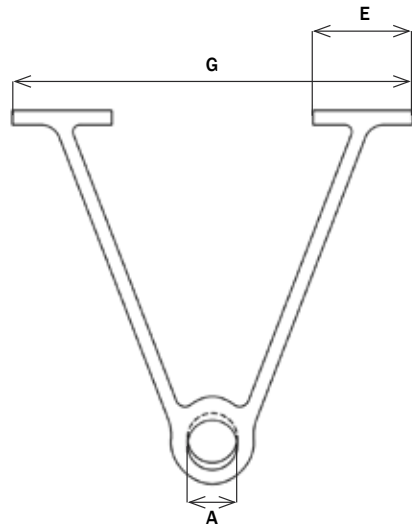
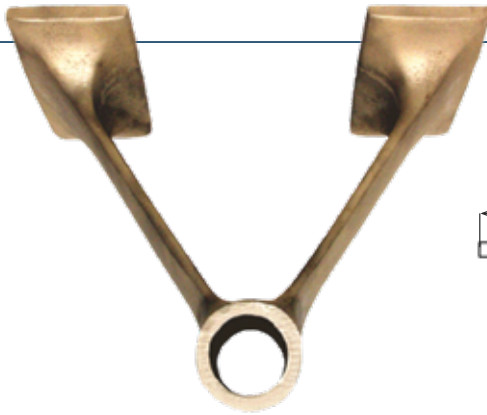
Hydrasearch specializes in custom castings.

If you would like us to quote a special strut or you only have the dimensions of the existing strut you are trying to match, please find the diagram above that would best fit your application.

Fill in the blanks with the dimensions (in inches) you are looking for and email it back to us at recreational@hydrasearch.com or fax it to us at 410.643.7145. We will do our best to find a strut that we currently have in stock that best matches the dimensions given or quote you a custom strut.

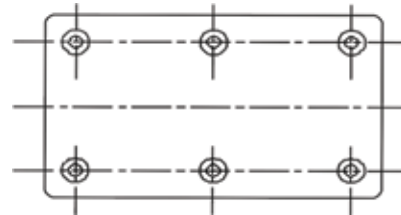
If you have any questions or concerns, please contact our sales team to help guide you through the process.

Strut Reference Diagram - Vee Strut



Dimensions

Dimension	Description	Your sizes
A	Bore size	
B	Shaft angle	
C	Forward drop	
D	Aft drop	
E	Base width	
F	Base length	
G	Barrel length	
H	Offset	



Describe bolthole layout: size, style, locations, quantity, etc.

Contact us with your information

Information	Your information
Company	
Phone number	
Fax number	
Contact name	
Replacement part (Y/N)	
Custom Casting (Y/N)	
Manufacturer	
Year	
Shaft diameter	

Hydrasearch specializes in custom castings.

If you would like us to quote a special strut or you only have the dimensions of the existing strut you are trying to match, please find the diagram above that would best fit your application.

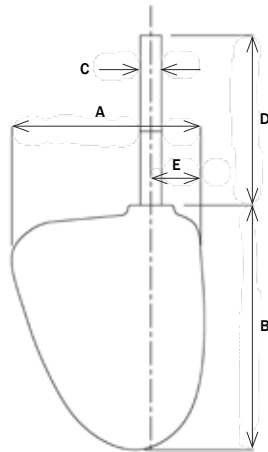
Fill in the blanks with the dimensions (in inches) you are looking for and email it back to us at recreational@hydrasearch.com or fax it to us at 410.643.7145. We will do our best to find a strut that we currently have in stock that best matches the dimensions given or quote you a custom strut.

If you have any questions or concerns, please contact our sales team to help guide you through the process.

Rudder Reference Diagram

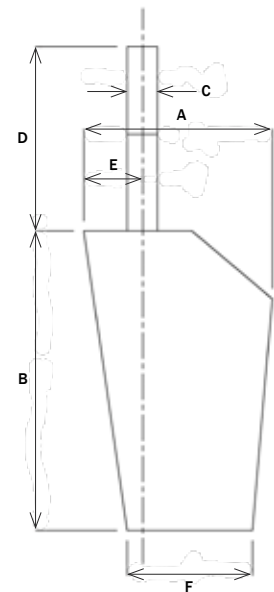
Standard Rudder Dimensions

Dimension	Your sizes
A	
B	
C	
D	
E	



Spade Rudder Dimensions

Dimension	Your sizes
A	
B	
C	
D	
E	
F	

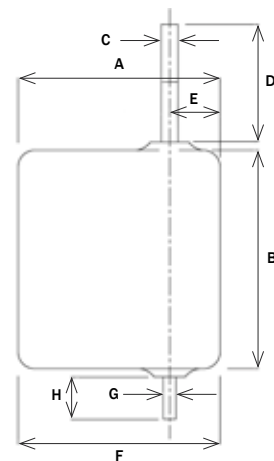


Contact us with your information

Information	Your information
Company	
Phone number	
Fax number	
Contact name	
Replacement part (Y/N)	
Custom Casting (Y/N)	
Manufacturer	
Year	
Shaft diameter	

Skeg Rudder Dimensions

Dimension	Your sizes
A	
B	
C	
D	
E	
F	
G	
H	



Hydrasearch specializes in custom castings.

If you would like us to quote a special strut or you only have the dimensions of the existing strut you are trying to match, please find the diagram above that would best fit your application.

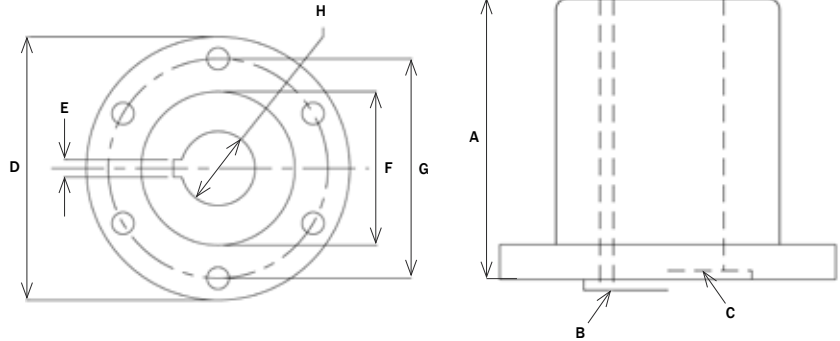
Fill in the blanks with the dimensions (in inches) you are looking for and email it back to us at recreational@hydrasearch.com or fax it to us at 410.643.7145. We will do our best to find a strut that we currently have in stock that best matches the dimensions given or quote you a custom strut.

If you have any questions or concerns, please contact our sales team to help guide you through the process.

Coupler Reference Diagram

Dimensions

Dimension	Description	Your sizes
A	Overall length	
B	Male pilot (M type)	
C	Female pilot (F type)	
D	Flange diameter	
E	Keyway width	
F	Pilot diameter	
G	Bolt circle diameter	
H	Shaft diameter	
-	Pilot depth or height	
-	Small end taper (taper couplers only)	



Circle the coupler type you are looking for below:

Reverse taper Solid Split Standard taper

Contact us with your information

Information	Your information
Company	
Phone number	
Fax number	
Contact name	

Hydrasearch specializes in custom castings.

If you would like us to quote a special coupler or you only have the dimensions of the existing strut you are trying to match, please find the diagram above that would best fit your application.

Fill in the blanks with the dimensions (in inches) you are looking for and email it back to us at recreational@hydrasearch.com or fax it to us at 410.643.7145. We will do our best to find a coupler that we currently have in stock that best matches the dimensions given or quote you a custom coupler.

If you have any questions or concerns please contact our sales team to help guide you through the process.

Fittings Size Chart

Male NPT Thread Sizes

L

2

3/4

1/2

3/8

1/8

1 1/2

1 1/4

1

1/4

Fraction to Decimal Conversions

Fraction	Inches	Millimeters	Fraction	Inches	Millimeters
$\frac{1}{64}$	0.015625	0.3969	$\frac{33}{64}$	0.515625	13.0969
$\frac{1}{32}$	0.031250	0.7938	$\frac{17}{32}$	0.531250	13.4938
$\frac{3}{64}$	0.046875	1.1906	$\frac{35}{64}$	0.546875	13.8907
$\frac{1}{16}$	0.062500	1.5875	$\frac{9}{16}$	0.562500	14.2876
$\frac{5}{64}$	0.078125	1.9844	$\frac{37}{64}$	0.578125	14.6844
$\frac{3}{32}$	0.093750	2.3813	$\frac{19}{32}$	0.593750	15.0813
$\frac{7}{64}$	0.109375	2.7781	$\frac{39}{64}$	0.609375	15.4782
$\frac{1}{8}$	0.125000	3.1750	$\frac{5}{8}$	0.625000	15.8751
$\frac{9}{64}$	0.140625	3.5719	$\frac{41}{64}$	0.640625	16.2719
$\frac{5}{32}$	0.156250	3.9688	$\frac{21}{32}$	0.656250	16.6688
$\frac{11}{64}$	0.171875	4.3656	$\frac{43}{64}$	0.671875	17.0657
$\frac{3}{16}$	0.187500	4.7625	$\frac{11}{16}$	0.687500	17.4626
$\frac{13}{64}$	0.203125	5.1594	$\frac{45}{64}$	0.703125	17.8594
$\frac{7}{32}$	0.218750	5.5563	$\frac{23}{32}$	0.718750	18.2563
$\frac{15}{64}$	0.234375	5.9531	$\frac{47}{64}$	0.734375	18.6532
$\frac{1}{4}$	0.250000	6.3500	$\frac{3}{4}$	0.750000	19.0501
$\frac{17}{64}$	0.265625	6.7469	$\frac{49}{64}$	0.765625	19.4470
$\frac{9}{32}$	0.281250	7.1438	$\frac{25}{32}$	0.781250	19.8438
$\frac{19}{64}$	0.296875	7.5406	$\frac{51}{64}$	0.796875	20.2407
$\frac{5}{16}$	0.312500	7.9375	$\frac{13}{16}$	0.812500	20.6376
$\frac{21}{64}$	0.328125	8.3344	$\frac{53}{64}$	0.828125	21.0345
$\frac{11}{32}$	0.343750	8.7313	$\frac{27}{32}$	0.843750	21.4313
$\frac{23}{64}$	0.359375	9.1282	$\frac{55}{64}$	0.859375	21.8282
$\frac{3}{8}$	0.375000	9.5250	$\frac{7}{8}$	0.875000	22.2251
$\frac{25}{64}$	0.390625	9.9219	$\frac{57}{64}$	0.890625	22.6222
$\frac{13}{32}$	0.406250	10.3188	$\frac{29}{32}$	0.906250	23.0188
$\frac{27}{64}$	0.421875	10.7157	$\frac{59}{64}$	0.921875	23.4157
$\frac{7}{16}$	0.437500	11.1125	$\frac{15}{16}$	0.937500	23.8126
$\frac{29}{64}$	0.453125	11.5094	$\frac{61}{64}$	0.953125	24.2095
$\frac{15}{32}$	0.468750	11.9063	$\frac{31}{32}$	0.968750	24.6063
$\frac{31}{64}$	0.484375	12.3032	$\frac{63}{64}$	0.984375	25.0032
$\frac{1}{2}$	0.500000	12.7001	1	1.000000	25.4001

Listing	Page No.	Listing	Page No.	Listing	Page No.
B					
Backing Plates.....	15,113				
Ball Valves	108-111				
Ball, Threaded.....	89				
Bearings					
Brass sleeve.....	25				
Composite	24				
Bearing Housings					
Albin stern.....	26				
Oval	27				
Rectangular.....	27				
Sailboat shaft log.....	26				
Bits					
Mooring.....	8				
Boarding Ladder Hardware..... 13					
Bolts					
Transmission Couplers	65				
Strut.....	24				
Bow Eyes					
12					
Brackets					
Ladder.....	13				
Brass Inserts..... 49					
C					
Chocks, Skene.....	8				
Clamps					
Iron double bolt.....	45				
Iron single bolt.....	45				
T-bolt	44				
Worm gear	43				
Worm gear miniature	43				
Cleats					
Euro.....	9				
Gray Iron Dock.....	10				
Open base	8-9				
Tapped	10				
Stud.....	9				
Weld-on open base	8				
Clevis(es)					
Pins	88				
Standard	88				
Clevis with eye	88				
Collars					
Rudder	79				
Shaft	64				
Couplings					
Pipe fittings.....	54-55				
Transmission	66-73				
D					
Deck Plates					
Oval rope.....	17				
Pipe	16				
Plates, caps and keys	17				
Plates, caps, keys and O-rings.....	16				
Standard	17				
De-icers					
114					
Drain Plugs					
Flange style.....	105-106				
Thru hull style	105				
E					
Elbows					
Exhaust collectors.....	41				
Exhaust water cooled.....	41				
Female to female	53				
Hose to hose.....	47				
Pipe to hose.....	48				
Street	52				
Engine Air Intake					
17					
Exhaust					
Collectors.....	41				
Transom	40				
Water cooled elbows.....	41				
F					
Fins, Ski Boat..... 38					
Flat Washer..... 24					
Full Nuts..... 63					
Flange Puller..... 64					
G					
Gas Tank Vents..... 107					
H					
Handle, Stern Lifting..... 8					
Hatch Lifts					
10					
Hawse Pipe(s)					
Cleat style	15				
Mating.....	14				
Standard	14				
Triangular.....	15				
Hinges					
Transom door	11				
Wood rail.....	11				
Hose, Packing Box..... 42					
Hose Adapters					
Hose to hose.....	47,58				
Hose to elbows	47				
H (continued)					
Hose Adapters (continued)					
Menders.....	49,60				
Pipe to hose.....	46-48,58				
Pipe to hose elbows	48,59				
I					
Inserts Brass					
49					
J					
Jam Nuts..... 63					
K					
Keystock					
63-64					
King Combination Nipples..... 50					
L					
Latch, Transom Door..... 11					
Lock, Wood Rail..... 11					
M					
Menders, Hose..... 49,60					
N					
Nipples					
Hose.....	46-50,58-60				
King combination	50				
Long	51				
Close	50				
Nuts					
Full.....	63				
Jam.....	63				
Hex	24				
Kits.....	63				
O					
Oar Locks					
Brackets.....	112				
Davis style.....	112				
Ring style	112				
Standard style	112				
P					
Packing					
Dripless moldable	39				
Extractor.....	39				
Flax.....	39				
Packing Box(es)					
Hose.....	42				
Studs.....	30				

Product Index

Listing	Page No.	Listing	Page No.	Listing	Page No.
P (continued)		S		T	
Packing Box(es) (continued)		Scupper(s)		Tape	
Gland style.....	28-30	Cockpit.....	13	Industrial PTFE Tape.....	113
Rectangular.....	28	Cockpit with hose.....	13	Tees.....	58
Spud type.....	28,31-32	Plate.....	17	Thru Hull(s)	
Stern tube.....	28	Setscrews.....	65	Drain plugs.....	105
Wrenches.....	38	Shaft Collars.....	64	Drip lip.....	103
Pipe Fittings		Shaft Logs		Flush type.....	101
Couplings.....	54,55	Angled.....	34	Flush type with screen.....	101
Coupling reducers.....	55	Offset.....	35	Fresh water washdown.....	104
Crosses.....	55	Oval base.....	36	High speed pick-up.....	104
Elbows.....	52-53	Rectangular base.....	37	with hose end.....	101-103
Hex bushings.....	56	Sailboat base.....	27	Standard.....	100
Nipples, close.....	50	Square base.....	36-37	Step wrenches.....	104
Nipples, long.....	51	Thru hull style.....	33	Water outlet.....	102
Plugs.....	57	Triangular.....	38	Tie Bars.....	89
Street elbows.....	52	Shafting.....	62	Tiller Arms	
Tees.....	54	Skeg		Heavy duty.....	87
Plugs		Bearings.....	79	Pinch bolt style.....	86-87
Tuff-Lite™.....	57	Rudders.....	78	Split head.....	87
Cored.....	57	Step(s)		Square head.....	88
Drain, flange style.....	105-106	Boarding.....	12	Transmission	
Drain, thru hull style.....	105	Covering.....	12	Couplers.....	66-73
Solid.....	57	Fly bridge ladder.....	12	Couplers transmission guide.....	66-73
Propeller		Strainers		Coupler flange bolts.....	65
Full nuts.....	63	Arctic steel.....	98-99	Coupler flange puller.....	64
Jam nuts.....	63	Basket.....	90	Coupler pinch bolts.....	65
Knockers.....	64	Inlet scoop.....	96	Coupler setscrews.....	65
Shaft kits.....	63	Intake strainer.....	91, 94	Transom Door Latches.....	11
R		Navy pump.....	94	V	
Rail Fittings.....	11	Polyethylene.....	96	Valves	
Rudder(s)		Positive flow.....	92-93	Ball.....	108-111
AQ-22.....	74-75	Rectangular scoop.....	92-93	Gate.....	111
Bearing flanges.....	80	Round.....	95	Low profile ball.....	110
Collars.....	79	Scoop.....	95	Miniature.....	111
High speed.....	77	Strut(s)		Seacock ball type.....	109
Skeg.....	78	Bolts.....	24	Swing check.....	108
Spade.....	77	Adjustable.....	23	Vents	
Special.....	76	Intermediate half size.....	20	Gas tank.....	107
Standard.....	76	Main.....	18-19	Vented Loops.....	56
Stepped shaft.....	78	Port & Starboard.....	21	W	
Rudder Port(s)		Sailboat.....	20	Washer.....	24
Backing plates.....	86	Universal.....	20	Wood Rail	
Dripless spud.....	81	Veel.....	22	Hinge.....	11
Inside mount.....	80-84	Stuffing Boxes		Lock.....	11
Outside mount.....	84-85	(see packing boxes or rudder ports)			
		Swivel Sockets.....	89		
		Swordfish Dart and Shank Set.....	113		

- A** **Deck Hardware**
pages 8 - 17
-
- B** **Drivetrain**
pages 18 - 39
-
- C** **Exhaust Fittings**
pages 40 - 41
-
- D** **Hose & Clamps**
pages 42 - 45
-
- E** **Plumbing Fittings**
pages 46 - 61
-
- F** **Shafting & Accessories**
pages 62 - 73
-
- G** **Steering Hardware**
pages 74 - 89
-
- H** **Strainers**
pages 90 - 99
-
- I** **Thru Hulls**
pages 100 - 107
-
- J** **Valves**
pages 108 - 111
-
- K** **Miscellaneous**
pages 112 - 115
-
- L** **References**
pages 116 - 121



Manufacturer of the



product line

Catalog 621



Hydrasearch Company, LLC

203A Log Canoe Circle, Stevensville, MD 21666

Phone: 410-643-7145 ■ Fax: 410-643-7777

recreational@hydrasearch.com ■ www.hydrasearchrecreational.com