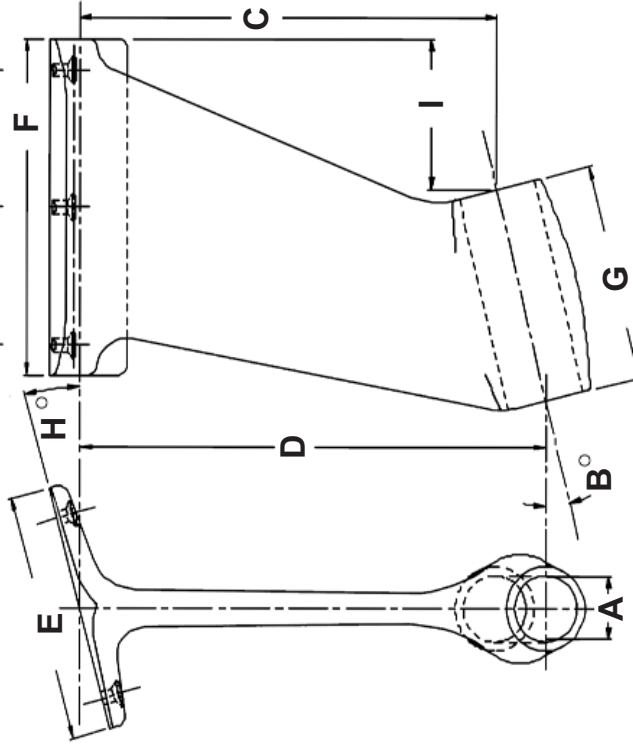
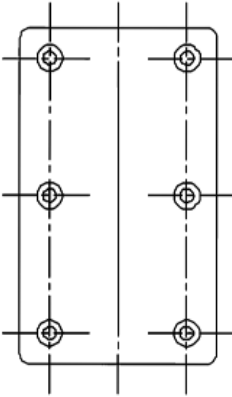




Port & Starboard Main Strut

- (A) - Bore Size: _____
- (B) - Shaft Angle: _____
- (C) - Fwd Drop: _____
- (D) - Aft Drop: _____
- (E) - Base Width: _____
- (F) - Base Length: _____
- (G) - Barrel Length: _____
- (H) - Dead Rise Angle: _____
- (I) - Offset: _____

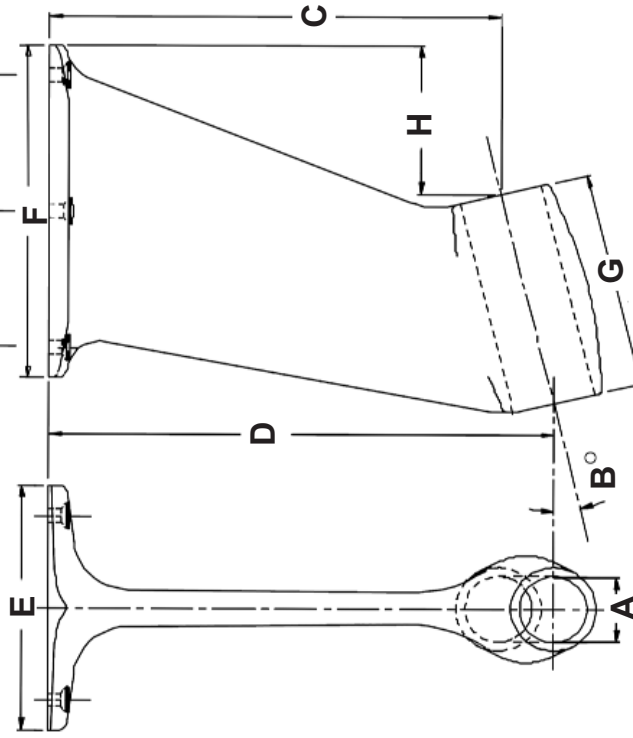
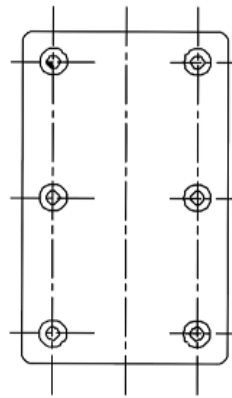
Describe bolthole layout:
size, style, locations, quantity, etc.



90 Degree Main Strut

- (A) - Bore Size: _____
- (B) - Shaft Angle: _____
- (C) - Fwd Drop: _____
- (D) - Aft Drop: _____
- (E) - Base Width: _____
- (F) - Base Length: _____
- (G) - Barrel Length: _____
- (H) - Offset: _____

Describe bolthole layout:
size, style, locations, quantity, etc.



Buck Algonquin specializes in custom castings. If you would like us to quote on a special strut or you only have the dimensions of the existing strut you are trying to match please find the diagram above that would best fit your application. Fill in the blanks with the dimensions you are looking for and fax it back to us at (410) 643-7777 or simply email it to us at sales@buckalgonquin.com. We will do our best to find a strut that we currently have in stock that best matches the dimensions given or quote you on a custom strut. If you have any questions or concerns please contact our knowledgeable sales staff to help guide you through the process.

Company: _____
 Phone#: _____
 Fax#: _____
 Contact: _____
 Replacement Part? _____
 Custom Casting? _____
 Manufacturer: _____
 Year: _____
 Shaft Diameter: _____